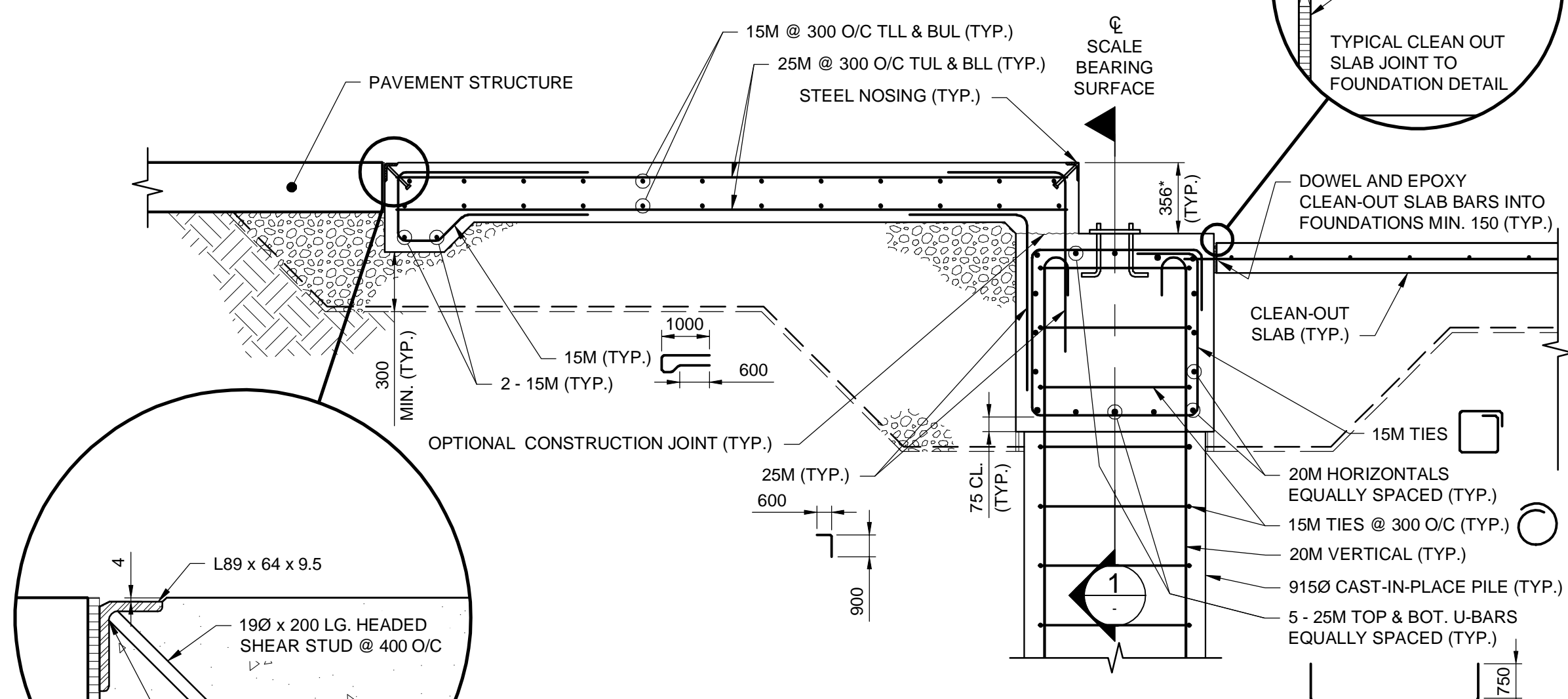
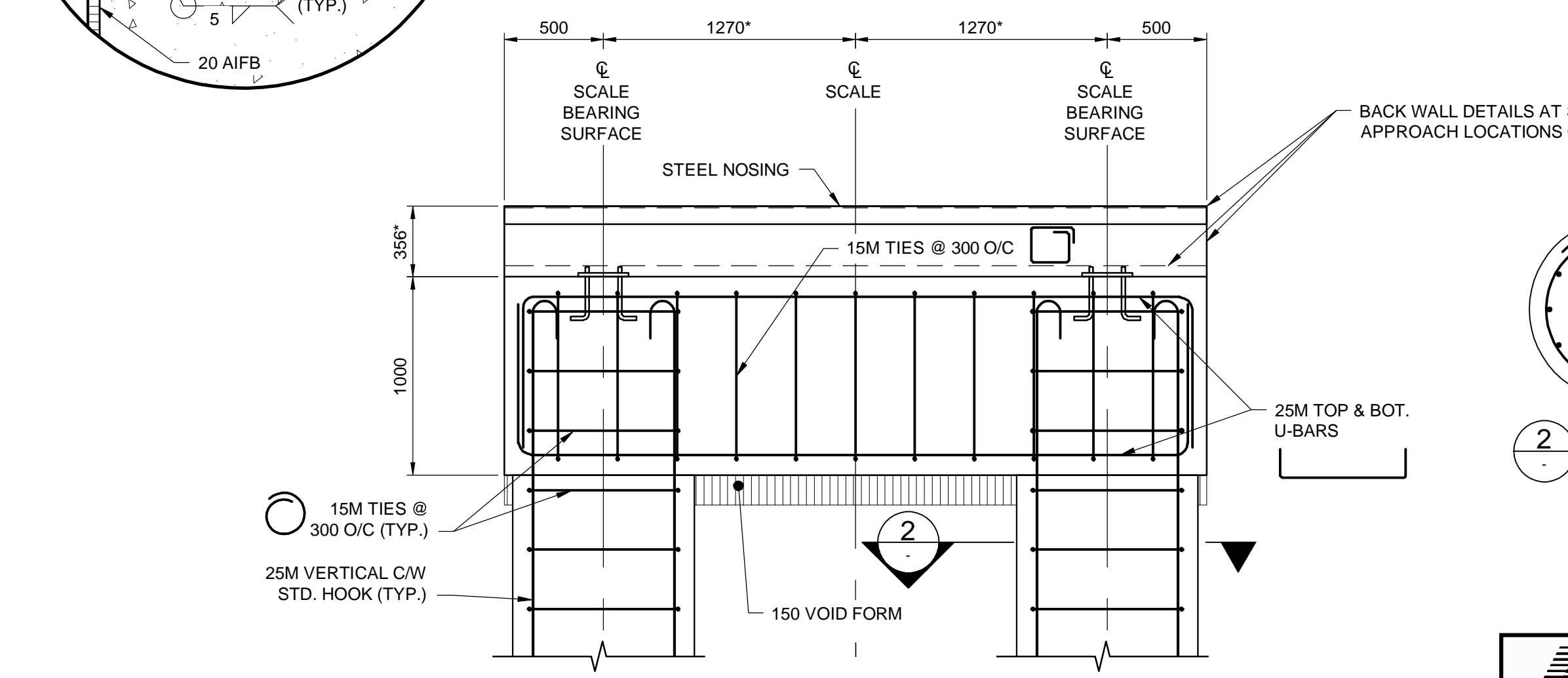
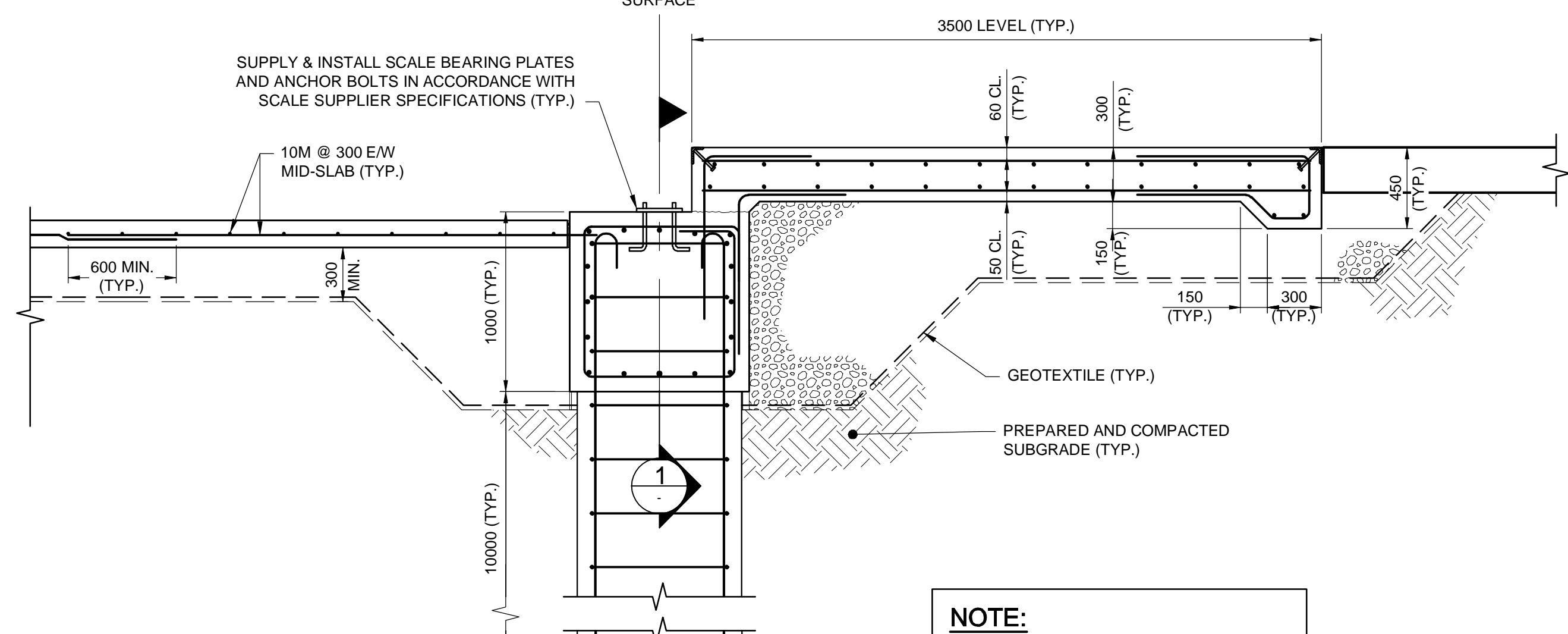


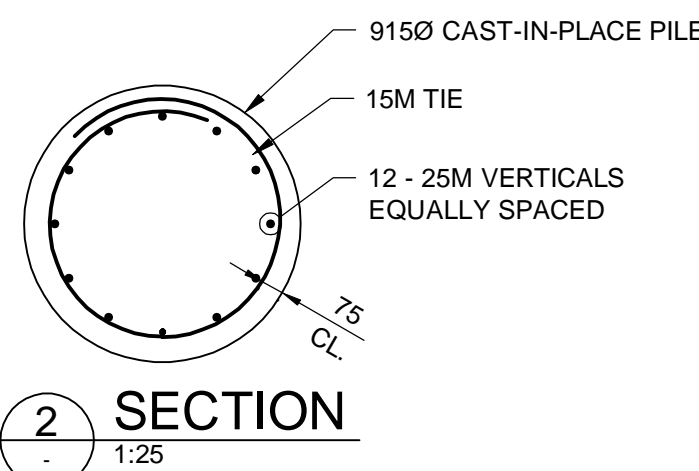
PLAN
1:25



ELEVATION
1:25



SECTION
1:25



SECTION
2:1:25

SCALE FOUNDATIONS WORKING POINT COORDINATES		
UTM GRID COORDINATE SYSTEM		
W.P. No.	NORTHING	EASTING
W.P. 57	5 512 909.338	628 707.127
W.P. 58	5 512 909.463	628 713.100
W.P. 59	5 512 909.588	628 719.074
W.P. 60	5 512 917.654	628 711.179
W.P. 61	5 512 917.779	628 717.153
W.P. 62	5 512 917.904	628 723.127

* W.P. 57, 58 & 59 REPRESENT INBOUND SCALE FOUNDATIONS, W.P. 60, 61 & 62 REPRESENT OUTBOUND SCALE FOUNDATIONS. VERIFY DIMENSIONS IN ACCORDANCE WITH SCALE SUPPLIER SPECIFICATIONS.

NOTE:
* VERIFY DIMENSION IN ACCORDANCE WITH SCALE SUPPLIER SPECIFICATIONS

GENERAL NOTES FOR SCALE FOUNDATIONS:

- STEEL NOSING ASSEMBLY TO BE HOT DIP GALVANIZED.
- FINISH TOP OF BEARING SEAT AREAS TO ENSURE POSITIVE DRAINAGE (APPROX. 0.5% SLOPE) AWAY FROM BACK WALL AND MISCELLANEOUS EMBEDDED ITEMS.
- CONTRACTOR SHALL PROVIDE DETAILED SHOP DRAWINGS FOR SCALE FOUNDATIONS INCLUDING REINFORCING, CONDUIT & EMBEDDED ITEMS. SHOP DRAWINGS SHALL BE REVIEWED BY CONTRACT ADMINISTRATOR AND SCALE SUPPLIER PRIOR TO FARICATION.
- CONDUIT SIZE, MATERIAL & MIN. ELBOW RADIUS SHALL BE IN ACCORDANCE WITH SCALE SUPPLIER SPECIFICATIONS.

G:\CAD\DWG\138224-09-Structural\01-SCALE FOUNDATIONS 1.dwg

APEGM
Certificate of Authorization
Dillon Consulting Limited (MB)
No. 1789 Date: 2014/06/19

B.M. ELEV.	DESIGNED BY	CDW
	DRAWN BY	KB
	CHECKED BY	SSR
	APPROVED BY	ARR
	HOR. SCALE	AS NOTED
	VERTICAL	
1 ISSUED FOR TENDER	14/06/19	ARR
NO. REVISIONS	DATE	BY
		DATE
		MARCH 2014

DILLON CONSULTING

ENGINEER'S SEAL
PROVINCE OF MANITOBA
C.D.D. WARD
2014/06/19
Member 24456
REGISTERED PROFESSIONAL ENGINEER
CONSULTANT PROJECT NUMBER
13-8224

THE CITY OF WINNIPEG
WATER AND WASTE DEPARTMENT
4R WINNIPEG DEPOT
BRADY ROAD RESOURCE
MANAGEMENT FACILITY
SCALE FOUNDATIONS
PLAN AND DETAILS
CITY DRAWING NUMBER
1-0400A-S0004-001
SHEET 13 OF 35
CONSULTANT DRAWING NUMBER
S6