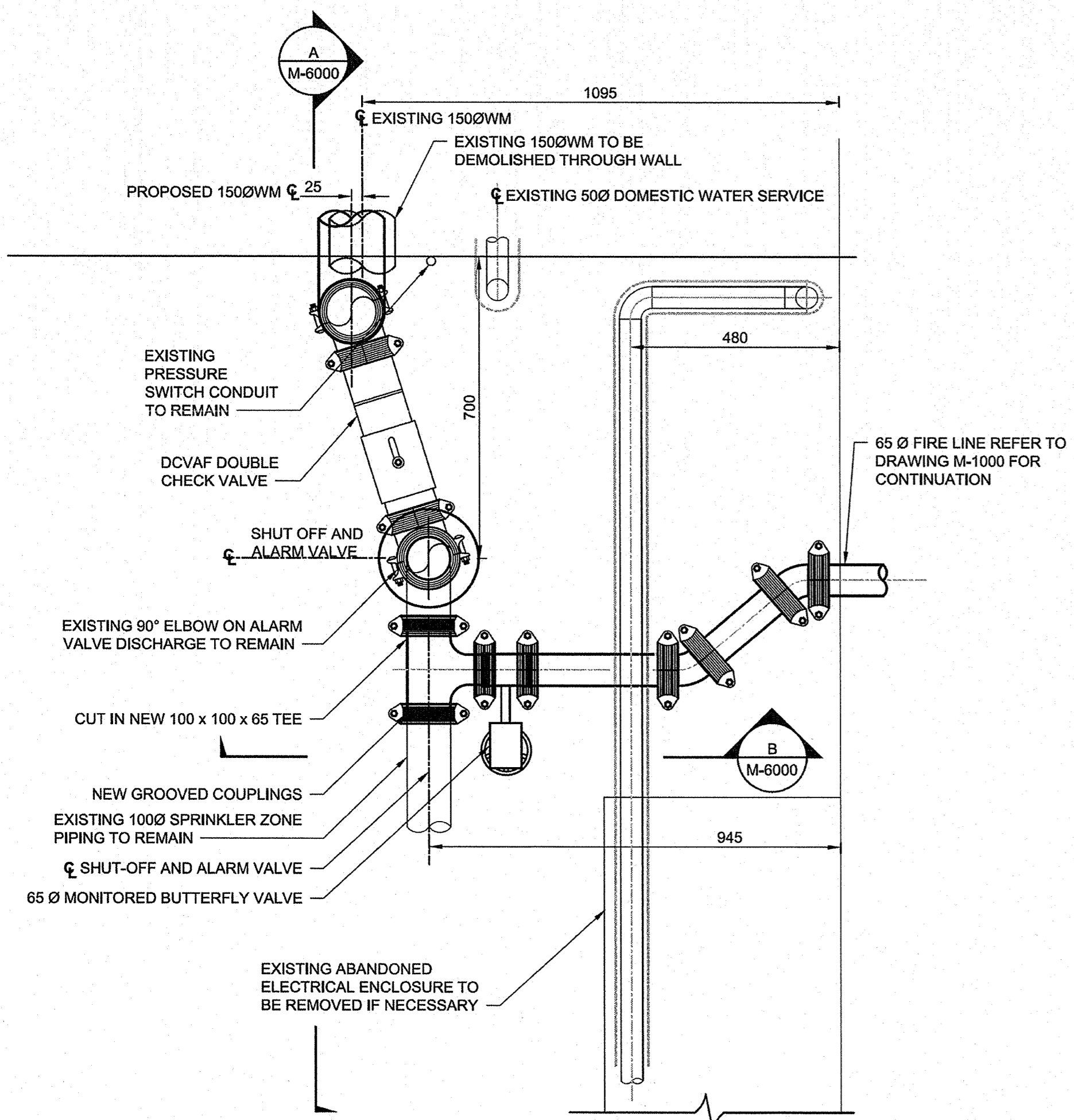
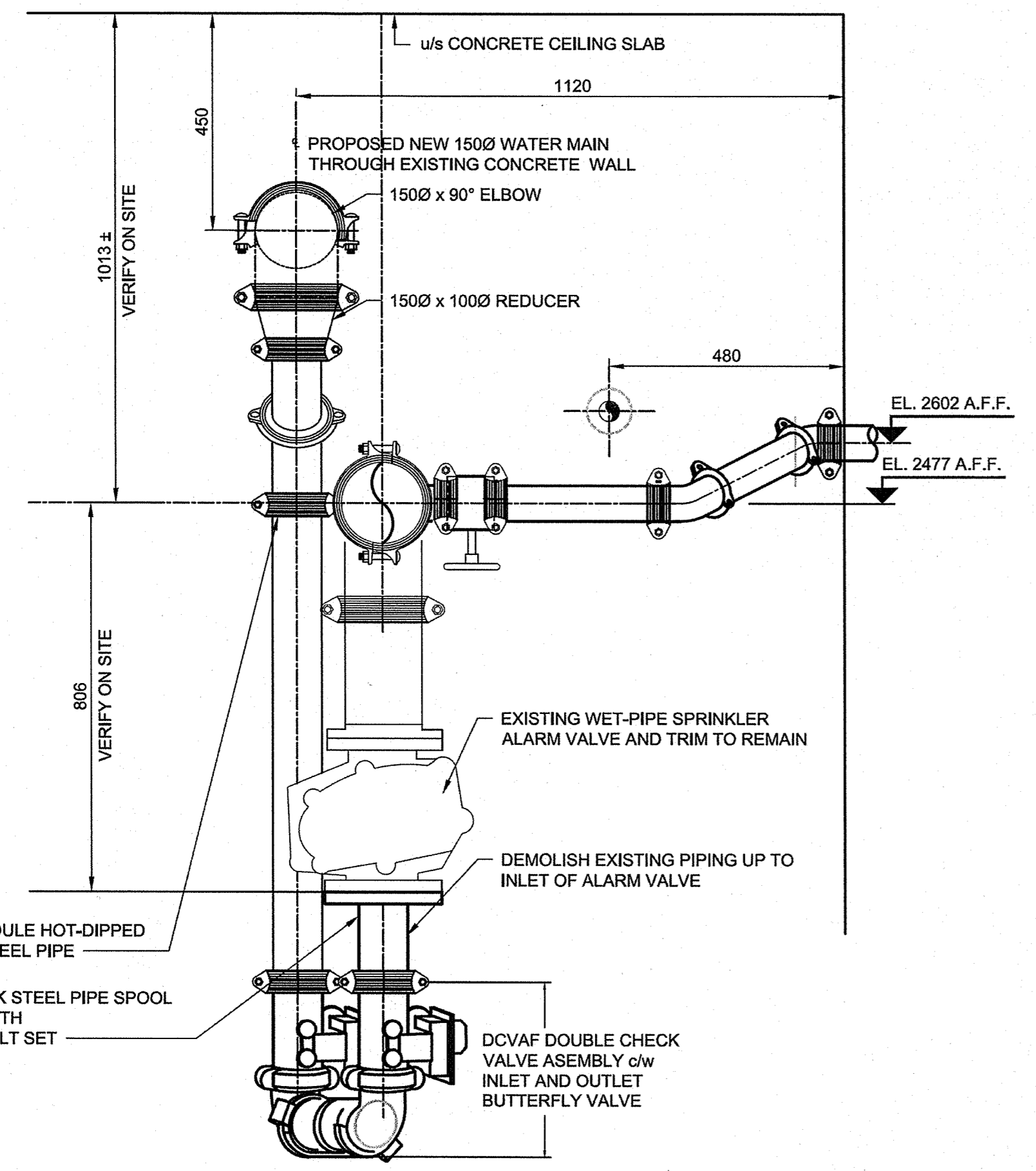


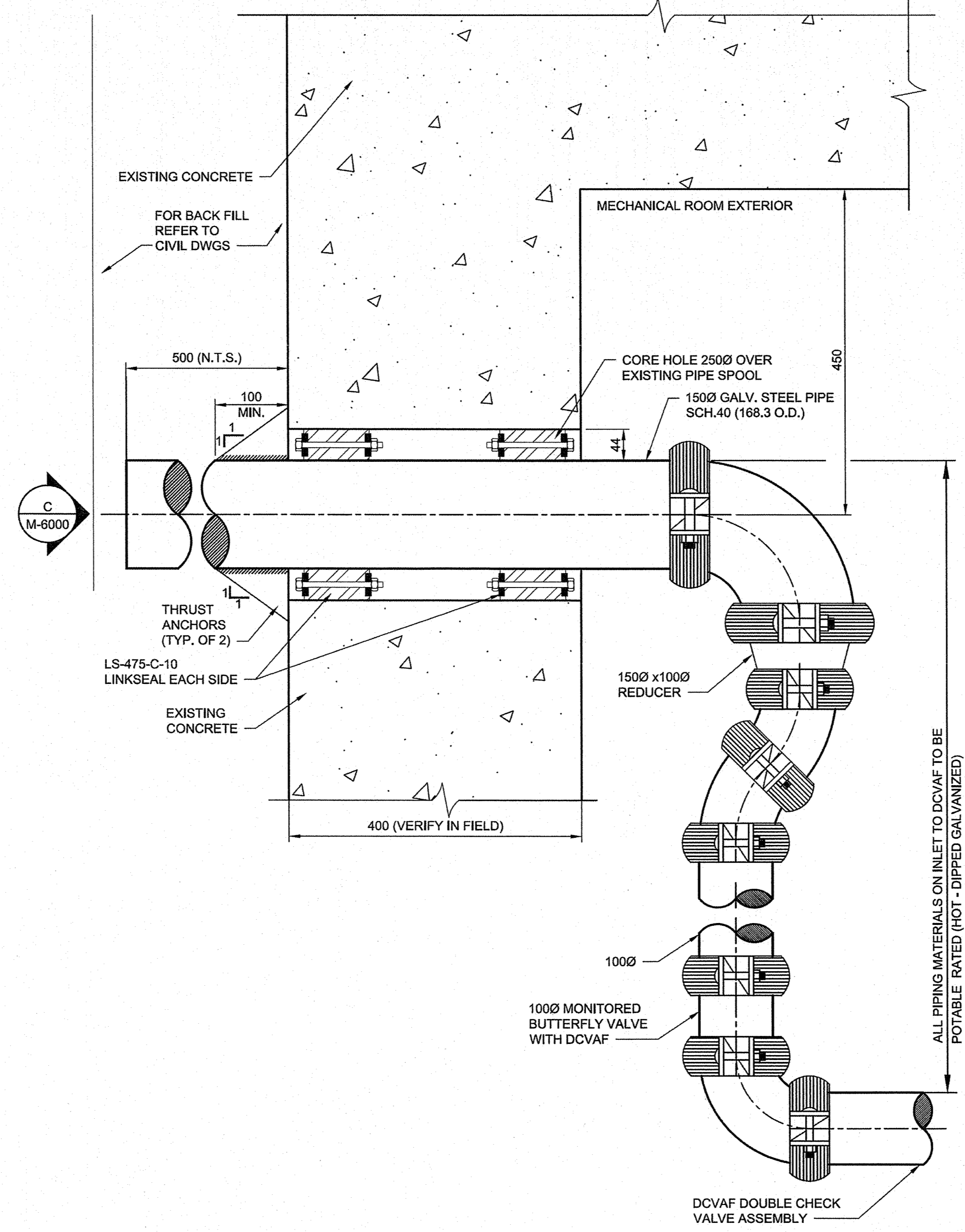
FILE NAME: 0000-M-6000.dwg/1
 DATE: 2014.05.02
 SHEET TITLE: EQUIPMENT LAYOUT
 PROJECT No: 60319294
 ADDRESS: 365 MAIN STREET



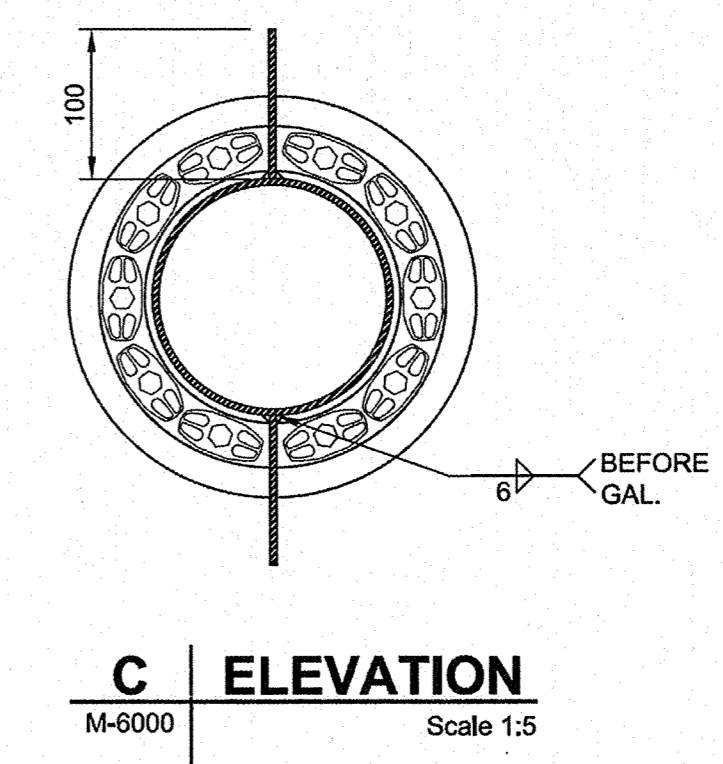
1 PARTIAL PROPOSED AND EXISTING PIPING LAYOUT
 M-6000 Scale 1:10



B SECTION PIPING LAYOUT
 M-6000 Scale 1:10



A SECTION WALL PENETRATION
 M-6000 Scale 1:5



C ELEVATION
 M-6000 Scale 1:5

- NOTES:**
- MECHANICAL CONTRACTOR TO SITE VERIFY EXISTING CONDITIONS BEFORE COMMENCING ANY WORK.
 - COMPLETE ALL WORK IN CONFORMANCE WITH THE REQUIREMENTS OF NFPA 13-2013 "STANDARD FOR THE INSTALLATION OF SPRINKLER SYSTEMS" AND NFPA 25-2011. "STANDARD FOR THE INSPECTION, TESTING, AND MAINTENANCE OF WATER-BASED FIRE PROTECTION SYSTEMS".



This drawing has been prepared for the use of AECOM's client and may not be used, reproduced or relied upon by third parties, except as agreed by AECOM and the client, as required by law or for use by governmental reviewing agencies. AECOM accepts no responsibility, and denies any liability whatsoever, to any party that modifies this drawing without AECOM's express written consent. Do not scale this document. All measurements must be obtained from stated dimensions.

No.	REVISION/DESCRIPTION	BY	DATE
0	ISSUED FOR TENDER	DJP	2014.06.04

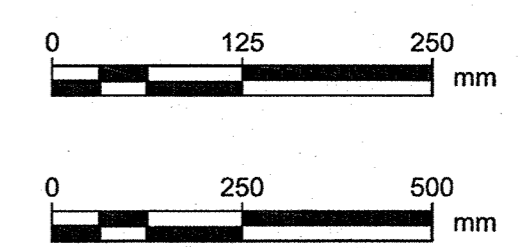
DRAWN	DATE	CHECKED	DATE	DESIGNED	DATE	APPROVED	DATE
DJP	2014.05.02	USER APPROVAL					

THE CITY OF WINNIPEG
 PLANNING, PROPERTY AND
 DEVELOPMENT DEPARTMENT
 MUNICIPAL ACCOMMODATIONS DIVISION
 3-65 GARRY STREET, R3C 4K4

PROJECT
**WINNIPEG SQUARE
 FIRE PROTECTION
 UPGRADE**
 365 MAIN STREET

SHEET TITLE
**MECHANICAL
 EXISTING AND PROPOSED FIRE PROTECTION
 EQUIPMENT LAYOUT**

SCALE	PROJECT No:	SHEET No:
AS SHOWN	60319294	M-6000



METRIC
 WHOLE NUMBERS INDICATE MILLIMETRES
 DECIMALIZED NUMBERS INDICATE METRES