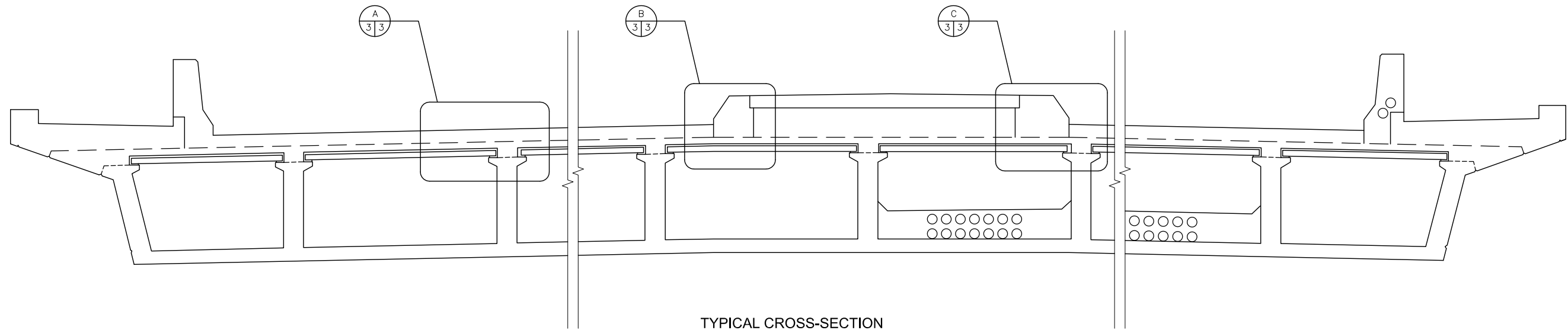
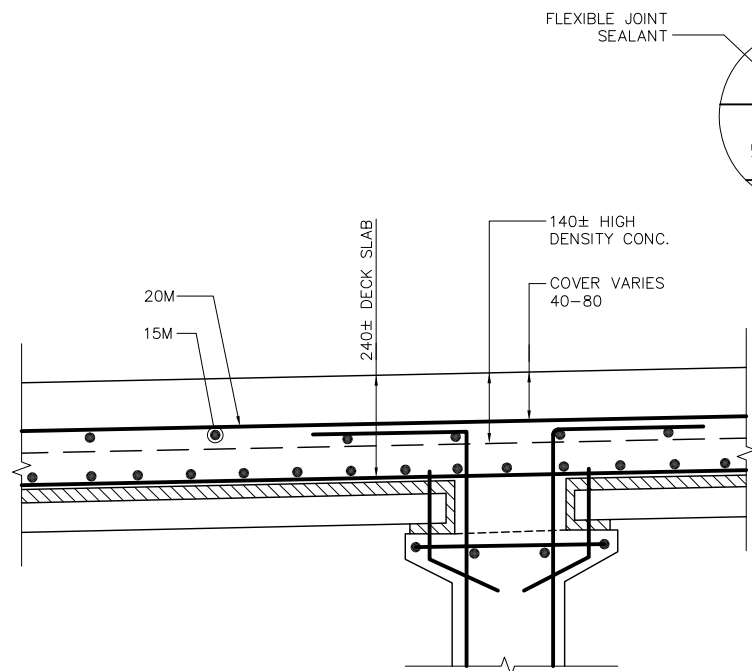


WEST

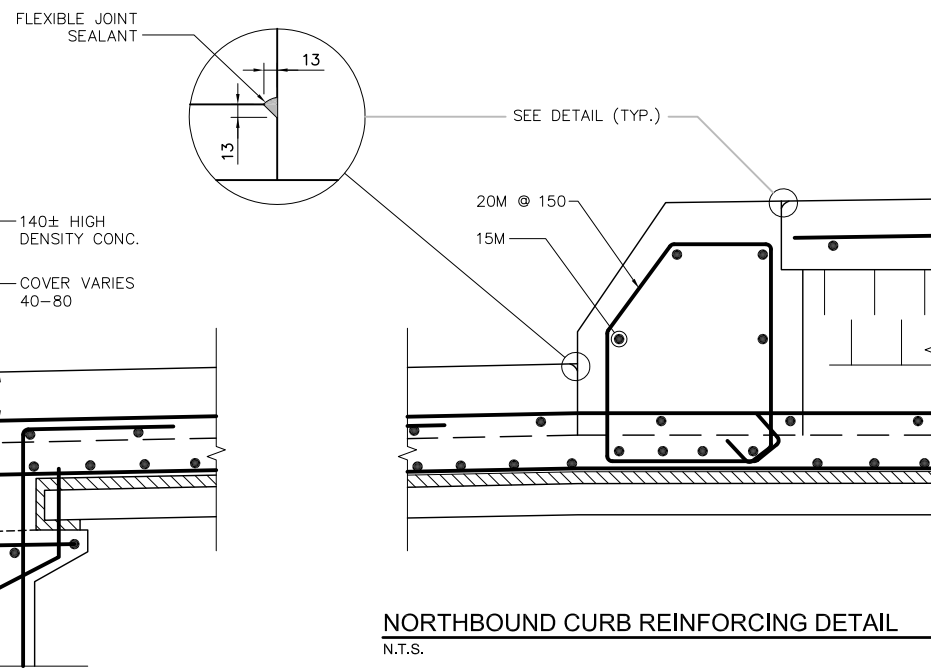
EAST



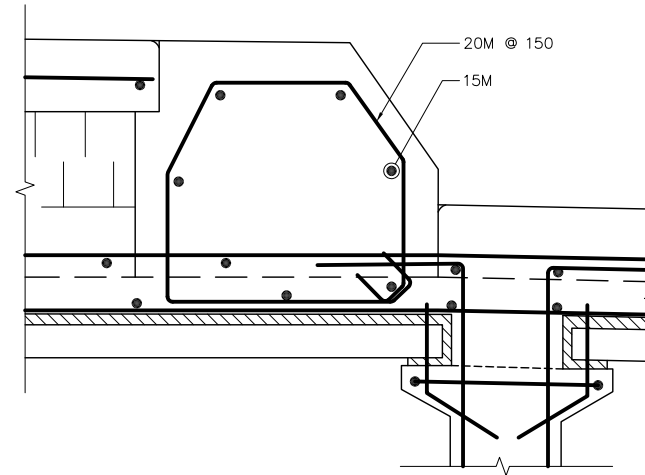
TYPICAL CROSS-SECTION
N.T.S.



TYPICAL DECK REINFORCING DETAIL **A**
N.T.S. 3/3



NORTHBOUND CURB REINFORCING DETAIL **B**
N.T.S. 3/3



SOUTHBOUND CURB REINFORCING DETAIL **C**
N.T.S. 3/3

NOTE:

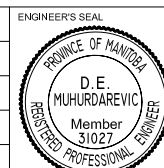
SEE DRAWINGS B215-90-11C & B215-90-12C FOR PLAN AND TYPICAL CROSS-SECTION OF DECK REINFORCING.

METRIC
WHOLE NUMBERS INDICATE MILLIMETRES
DECIMALIZED NUMBERS INDICATE METRES

NOTE:

B.M. ELEV.				
0	ISSUED FOR TENDER	10/06/14	J.G.W.	
NO.	REVISION	DATE	BY	

DESIGNED BY: D.M.
 DRAWN BY: J.G.W.
 CHECKED BY: B.A.N.
 APPROVED BY: B.A.N.
 AUTHORIZED BY:



BID OPPORTUNITY NO.: 565-2014

CITY OF WINNIPEG
 PUBLIC WORKS DEPARTMENT
 ENGINEERING DIVISION

PEMBINA HWY OVERPASS (ROUTE 165)
 2014 BRIDGE DECK & MISCELLANEOUS
 CONCRETE REPAIRS

CROSS-SECTION DETAILS

SHEET 3 OF 4

HORIZONTAL: N.T.S.
VERTICAL: N.T.S.

CITY DRAWING NUMBER:
B215-14-03