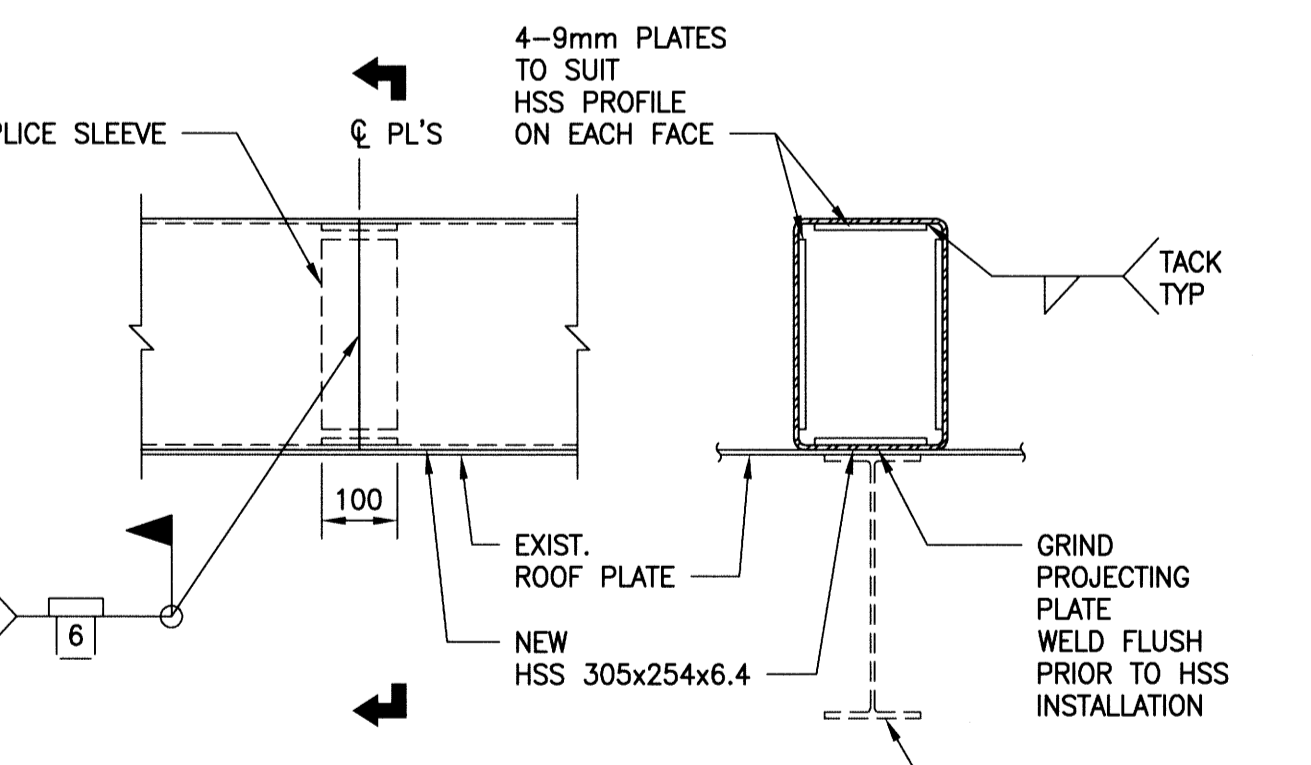
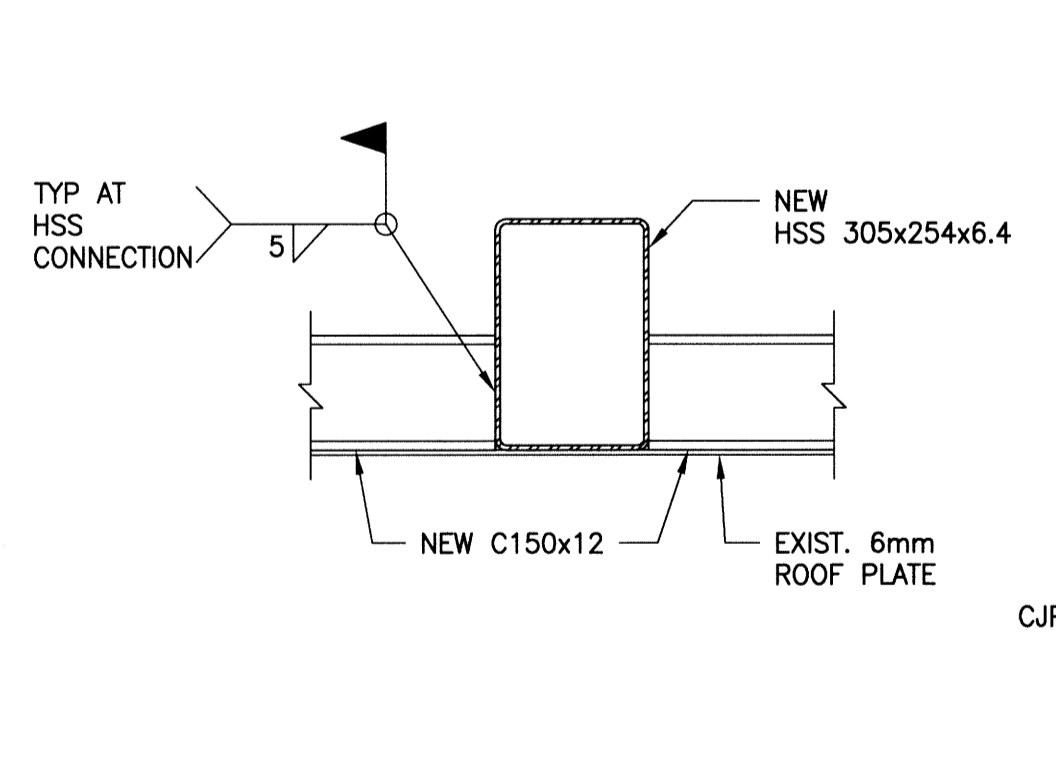
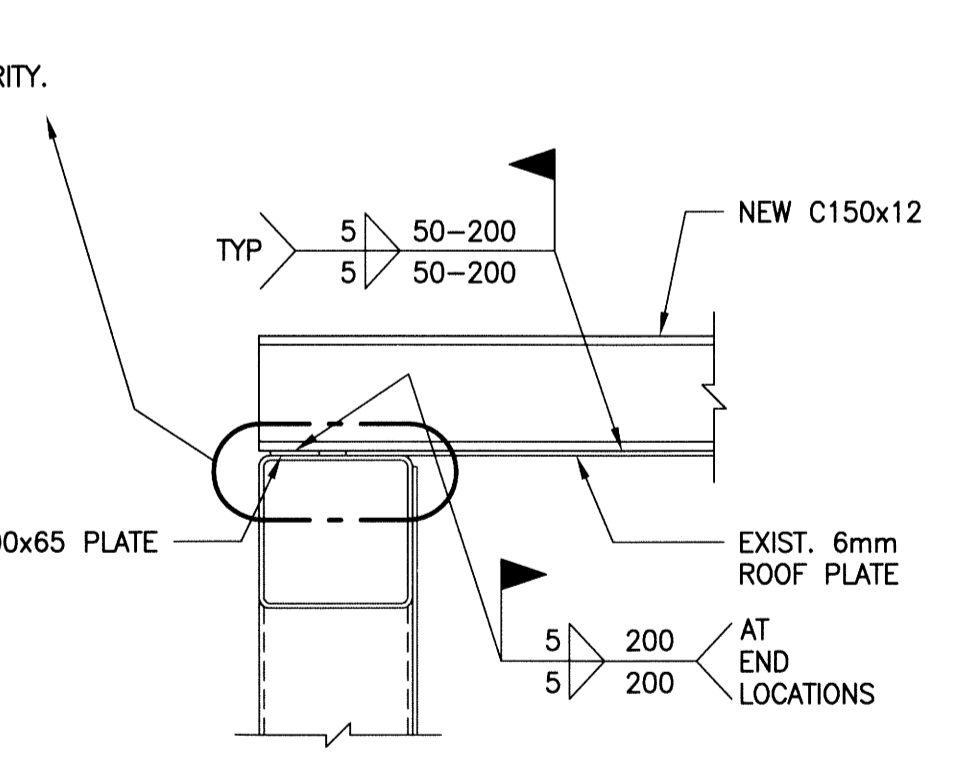
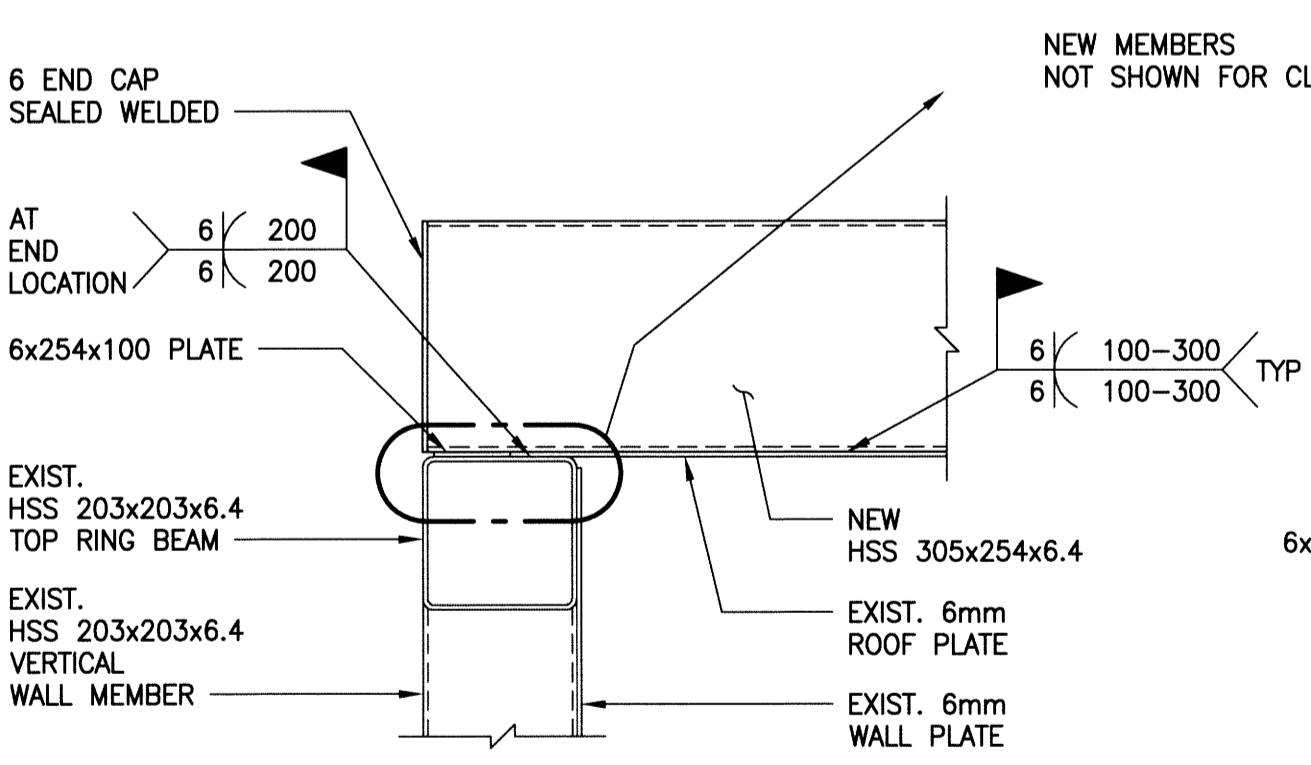
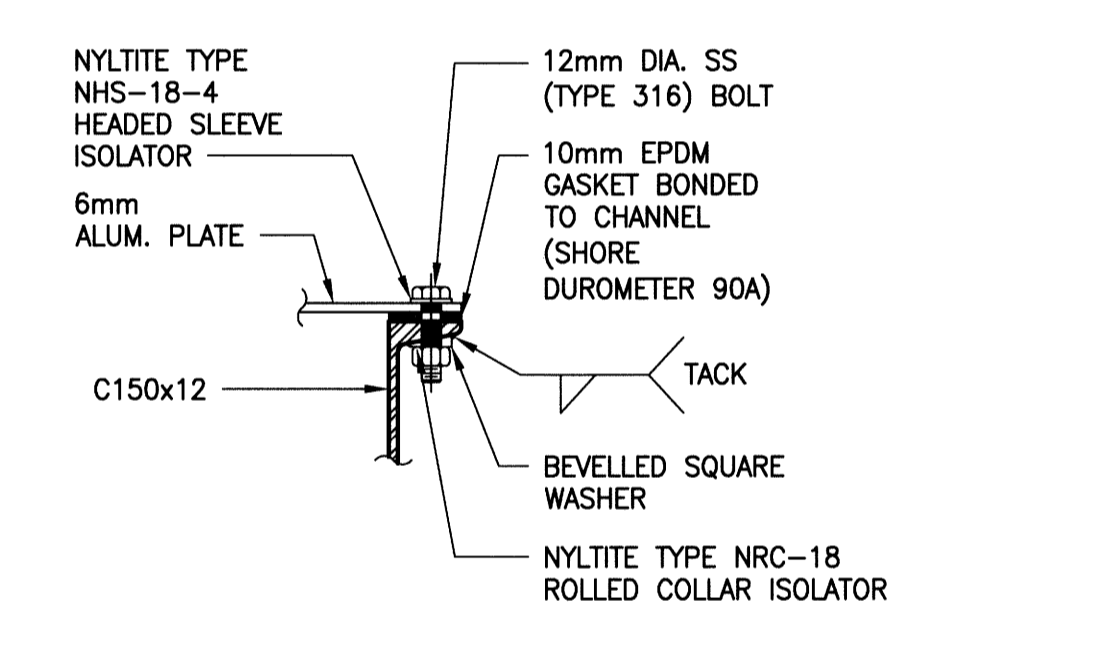
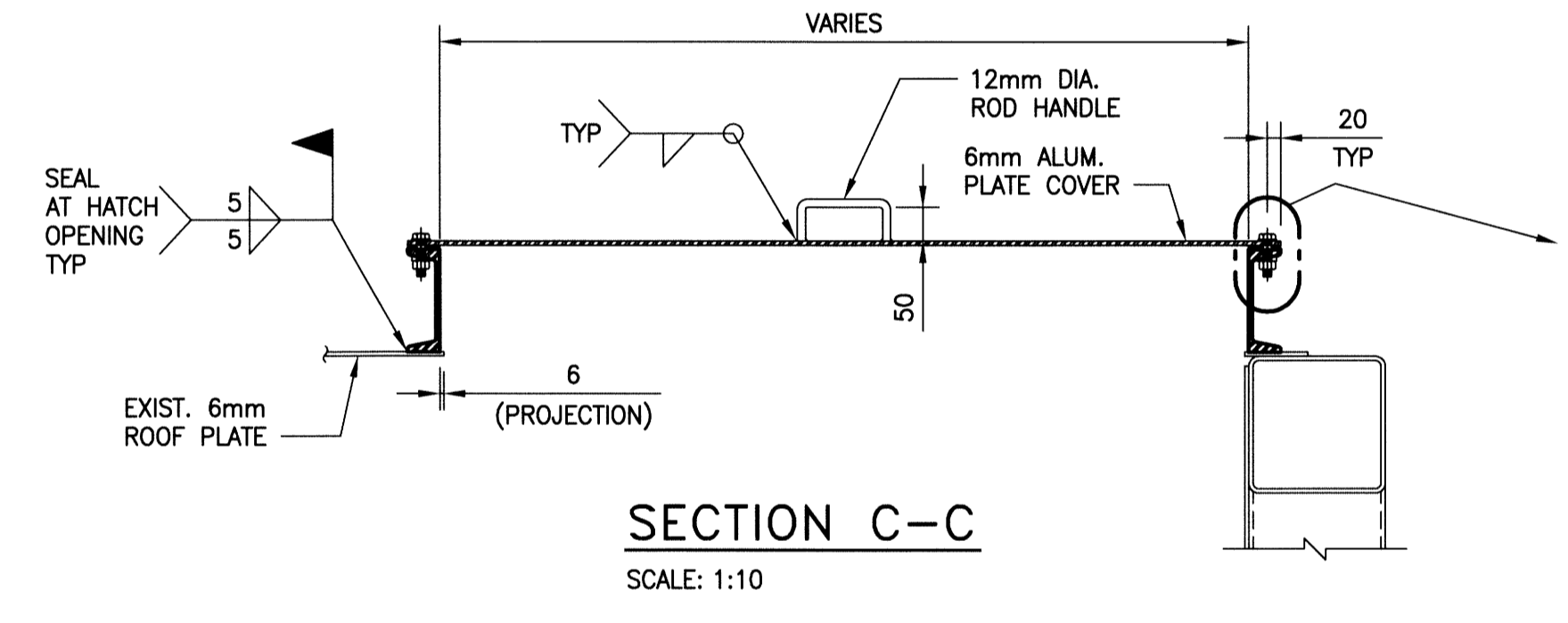
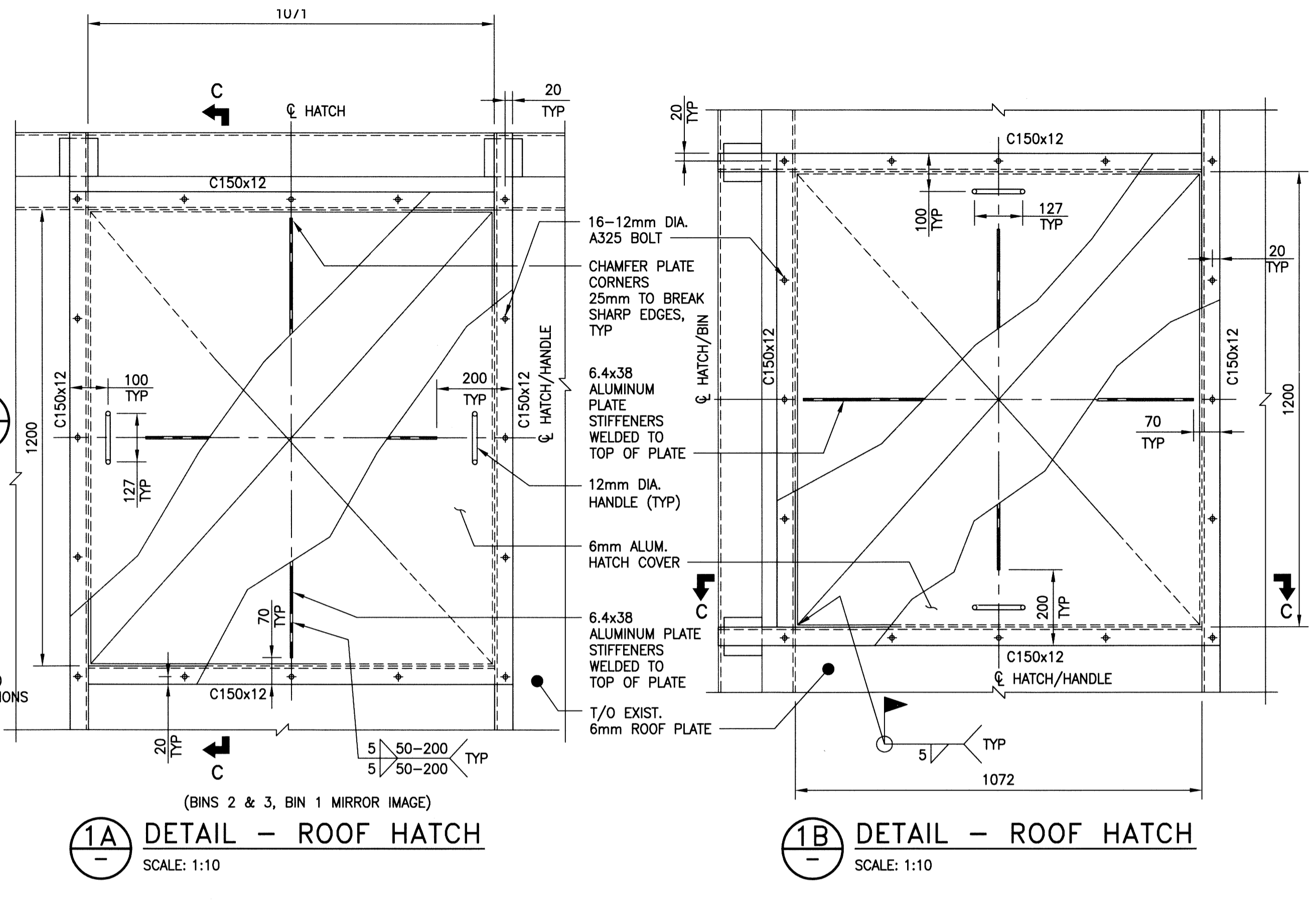
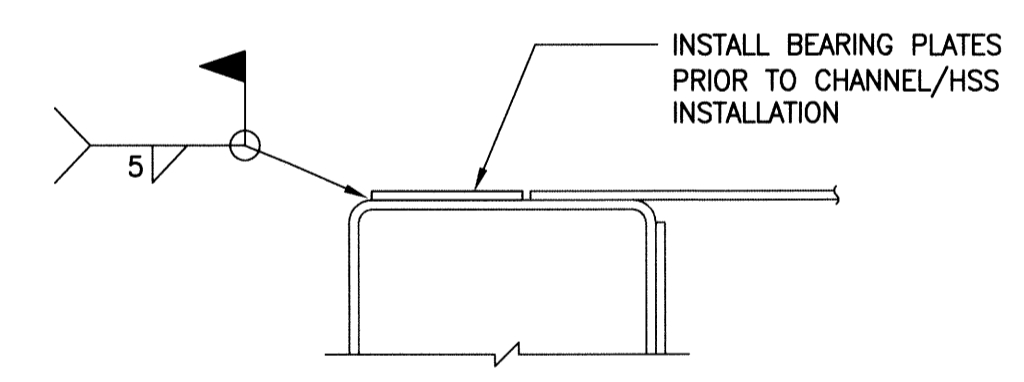


**NOTE:**  
TEMPORARY PLATFORMS ARE REQUIRED FOR BIN ROOF ACCESS PRIOR TO REINFORCEMENT & REPAIR DUE TO THE DETERIORATED CONDITION.

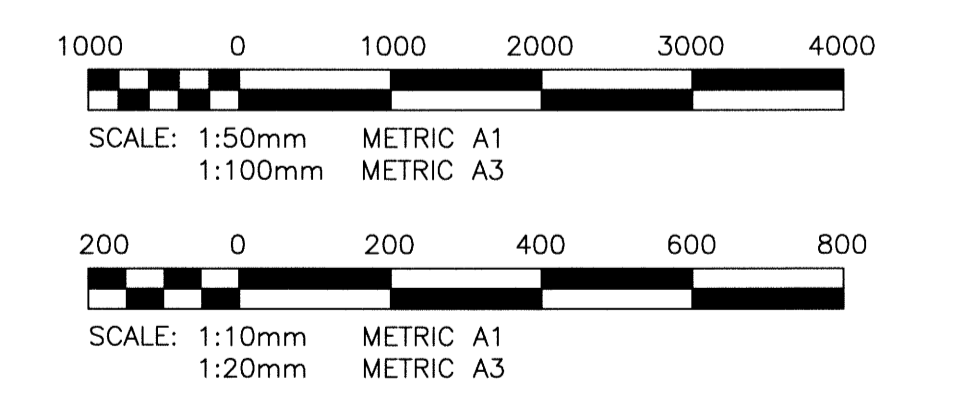
**B SECTION**  
S01 SCALE: 1:50

**B1 SECTION**  
S01 SCALE: 1:50

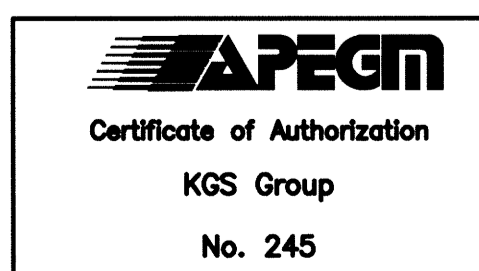


**NOTE:**  
CLAMP EXIST. ROOF PLATE TIGHT TO NEW SUPPORT BEAMS PRIOR TO WELDING.

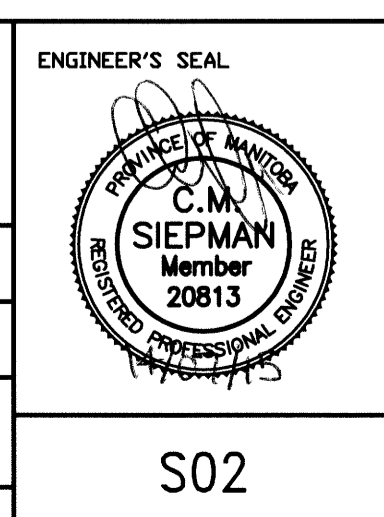
**DRAWINGS SHALL BE READ IN CONJUNCTION WITH THE PROJECT TECHNICAL SPECIFICATIONS.**



**METRIC**  
WHOLE NUMBERS INDICATE MILLIMETRES  
DECIMALIZED NUMBERS INDICATE METRES



FIELD BOOK #		DESIGNED BY		CHECKED BY	
POSTED TO LBS		KRD		CMS	
DRAWN BY		FBV		APPROVED BY	
HDR. SCALE AS NOTED		VERTICAL AS NOTED		RELEASED FOR CONSTRUCTION	
0 ISSUED FOR CONSTRUCTION 14/07/15		DATE		2014 04 23	
NO. REVISIONS		DATE		DATE	



**THE CITY OF WINNIPEG**  
WATER AND WASTE DEPARTMENT

NEWPCC  
SLUDGE CAKE STORAGE BIN REPAIRS  
**ROOF REPAIR**  
SECTIONS & DETAILS

SHEET 1 OF 1  
CITY DRAWING NUMBER  
1-0101W-S0002-001

S02