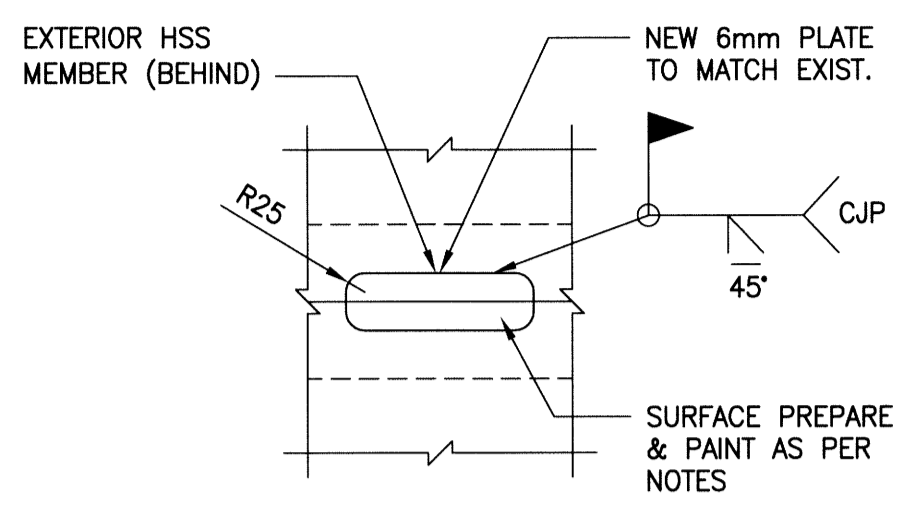
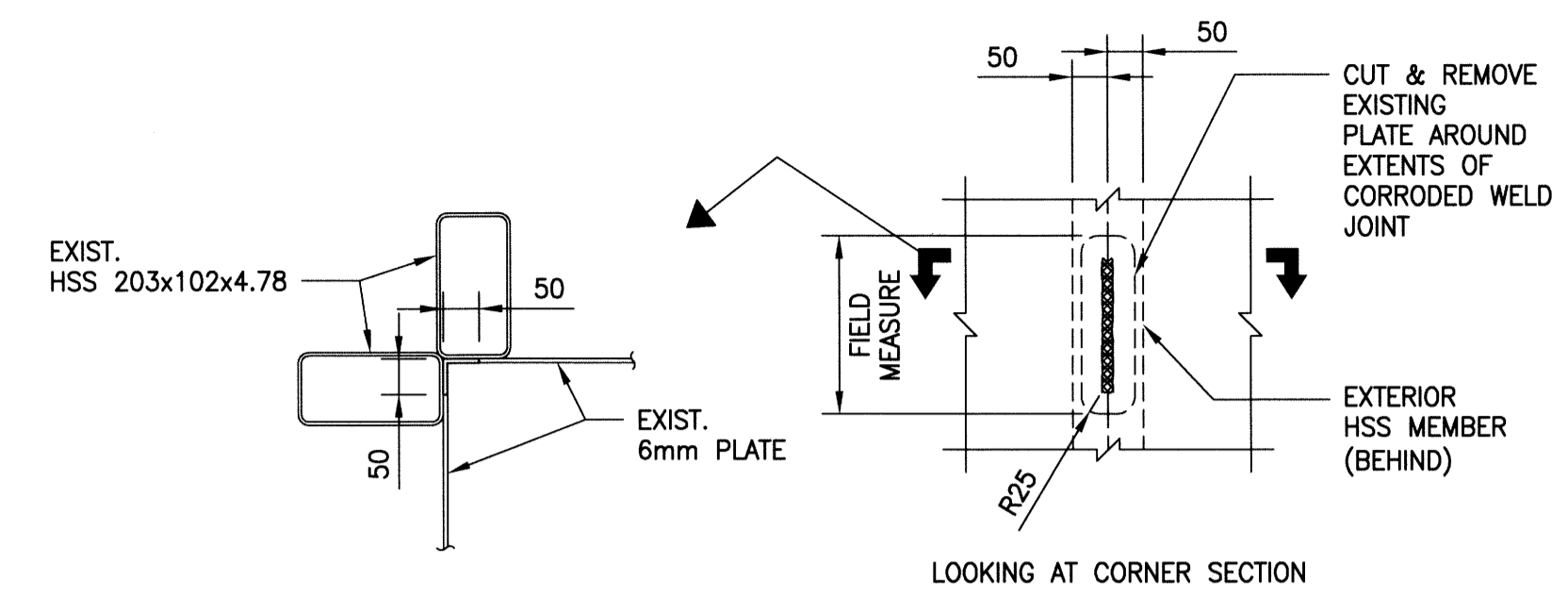


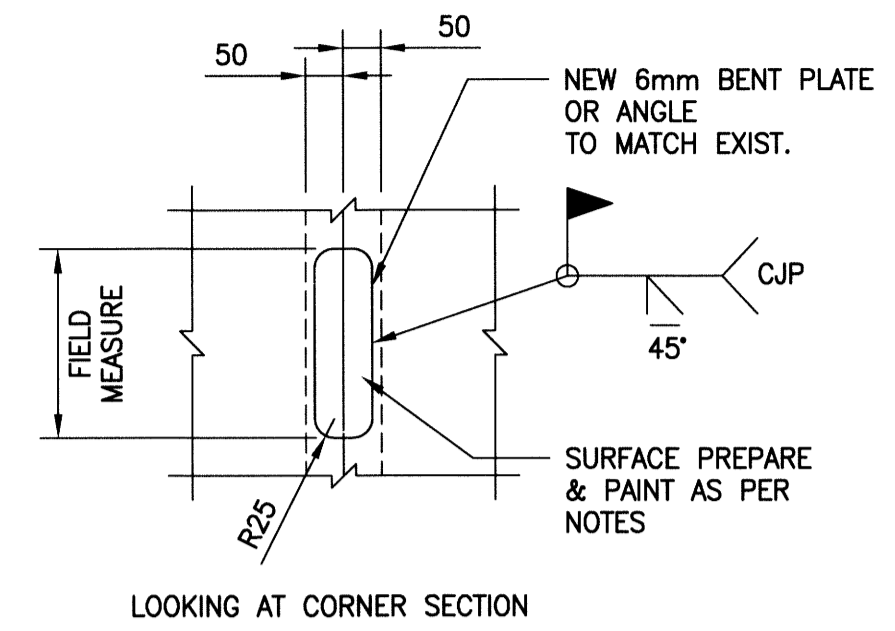
(DEMOLITION - WELD PATCH)  
**2** DETAIL  
 SCALE: 1:10



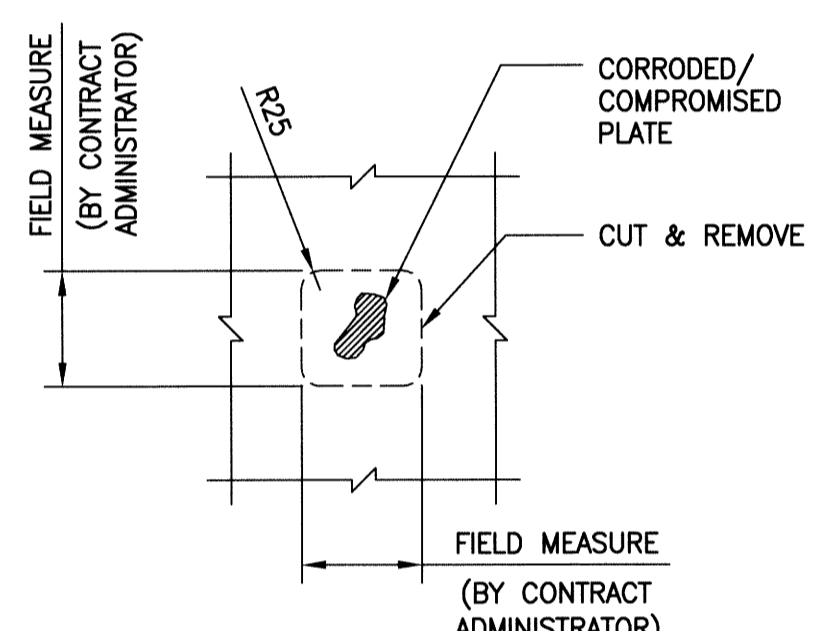
(REPAIR - WELD PATCH)  
**2A** DETAIL  
 SCALE: 1:10



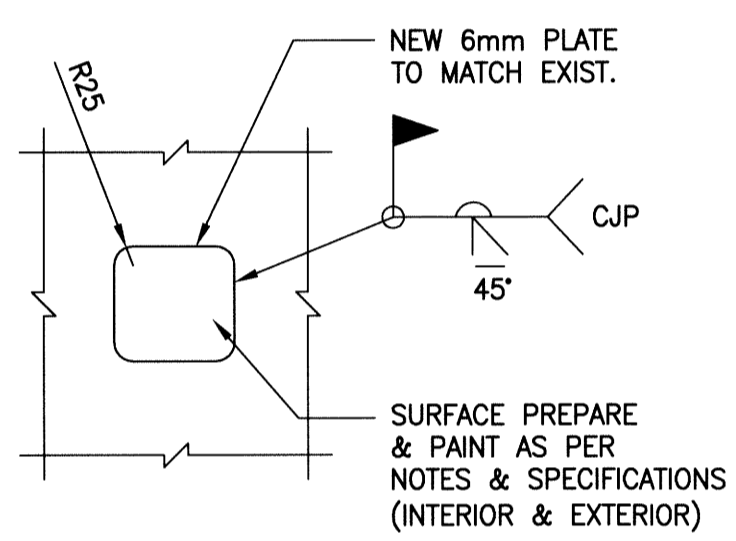
(DEMOLITION - CORNER WELD PATCH)  
**3** DETAIL  
 SCALE: 1:10



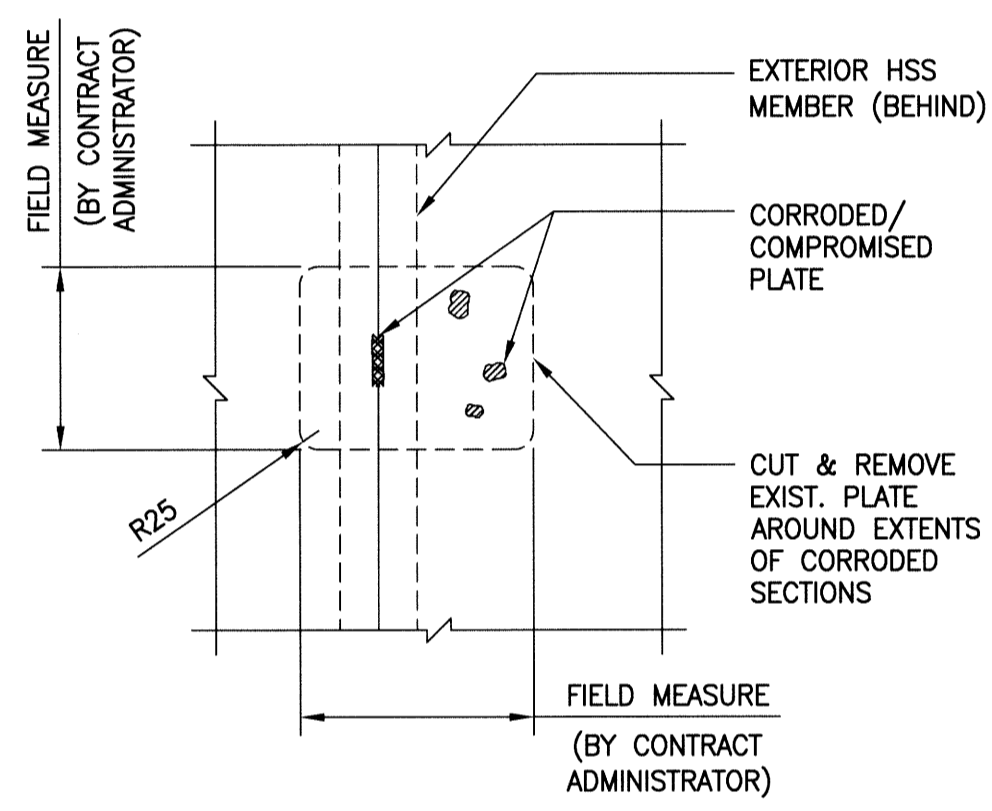
(REPAIR - CORNER WELD PATCH)  
**3B** DETAIL  
 SCALE: 1:10



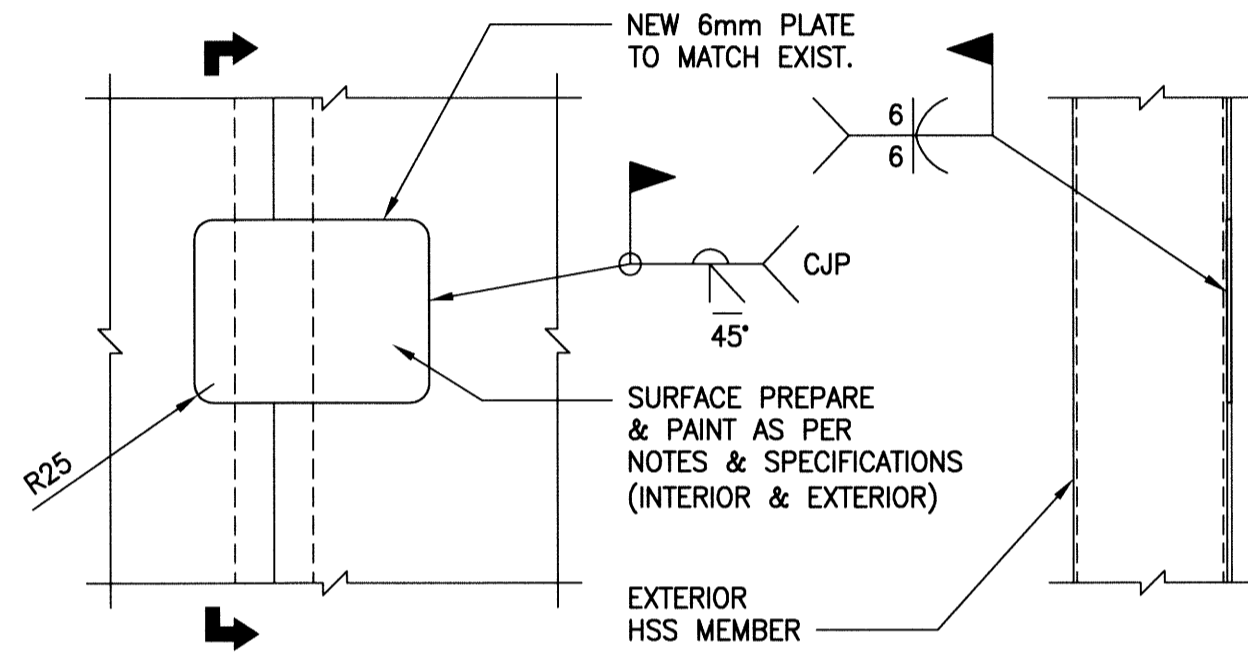
(DEMOLITION - SMALL PATCH)  
**4** DETAIL  
 SCALE: 1:10



(REPAIR - SMALL PATCH)  
**4A** DETAIL  
 SCALE: 1:10



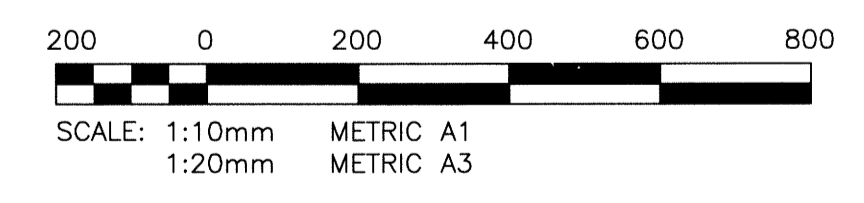
(DEMOLITION - LARGE PATCH)  
**5** DETAIL  
 SCALE: 1:10



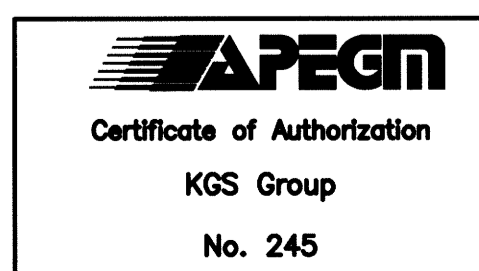
(REPAIR - LARGE PATCH)  
**5A** DETAIL  
 SCALE: 1:10

PATCH SIZE DESIGNATIONS	
SIZE DESIGNATIONS	SIZE
SMALL	LESS THAN 200cm <sup>2</sup>
LARGE	GREATER THAN 200cm <sup>2</sup> LESS THAN 600cm <sup>2</sup>

DRAWINGS SHALL BE READ IN CONJUNCTION WITH THE PROJECT TECHNICAL SPECIFICATIONS.



**METRIC**  
 WHOLE NUMBERS INDICATE MILLIMETRES  
 DECIMALIZED NUMBERS INDICATE METRES



FIELD BOOK #:				ENGINEER'S SEAL	
POSTED TO LBIS					
DESIGNED BY	KRD	CHECKED BY	CMS	S03	
DRAWN BY	FBV	APPROVED BY			
HDR. SCALE	AS NOTED	RELEASED FOR CONSTRUCTION			
0	ISSUED FOR CONSTRUCTION	14/07/15	CMS	VERTICAL SCALE	AS NOTED
NO.	REVISIONS	DATE	BY	DATE	2014 04 23

**THE CITY OF WINNIPEG**  
 WATER AND WASTE DEPARTMENT  
 NEWPCC  
 SLUDGE CAKE STORAGE BIN REPAIRS  
**PLATE REPAIR**  
 DETAILS

SHEET 1 of 1  
 CITY DRAWING NUMBER  
 1-0101W-S0003-001