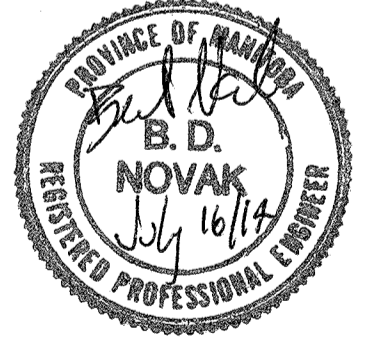


FOUNDATION PLAN NOTES:

- 1 NEW 6" CONCRETE FLOOR SLAB REINFORCED WITH 10M @ 12" O/C EACH WAY, 6 MIL. POLY VAPOUR BARRIER AND MINIMUM 6" COMPACTED GRANULAR FILL. SEE SEPARATE DEDUCT PRICE BELOW FOR FURTHER INFORMATION.
- 2 SAWCUT APPROXIMATELY 6" AROUND EXISTING BOILER SLAB/HOUSEKEEPING PAD AS REQUIRED.
- 3 PROVIDE BLOCKOUTS AROUND ALL COLUMNS TO ALLOW FOR COLUMN INSTALLATION AFTER SLAB IS POURED.
- 4 TYPICAL SAWCUT LAYOUT TO BE CUT 24 HOURS AFTER SLAB IS POURED AND SEALED WITH SIKA LOADFLEX SEALER.
- 5 APPROXIMATE LOCATION OF UNDERSLAB DRAIN LINES - 20" BELOW TOP OF SLAB. CONTRACTOR TO ENSURE INSTALLATION OF PILES DOES NOT DISRUPT EXISTING DRAIN LINES.

SEPARATE DEDUCT PRICE:
 SAW-CUT AND REMOVE 24"x24" SECTION OF EXISTING BASEMENT FLOOR SLAB TO ALLOW FOR INSTALLATION OF NEW PILES/PILE CAPS/COLUMN BASEPLATES IN LIEU OF REMOVING ENTIRE BASEMENT FLOOR SLAB AS SPECIFIED. INFILL 24"x24" CUT-OUT SECTIONS OF FLOOR SLAB WITH 25 MPA CONCRETE AFTER ERECTION OF STRUCTURAL STEEL. POUR NEW FLOOR SLAB OVER ABANDONED BOILER FOUNDATION.

No.	REVISION/DESCRIPTION	BY	DATE



DRAWN	CHECKED	DESIGNED	APPROVED
JAW/RCP			
DATE: 2014.07.14	USER APPROVAL		

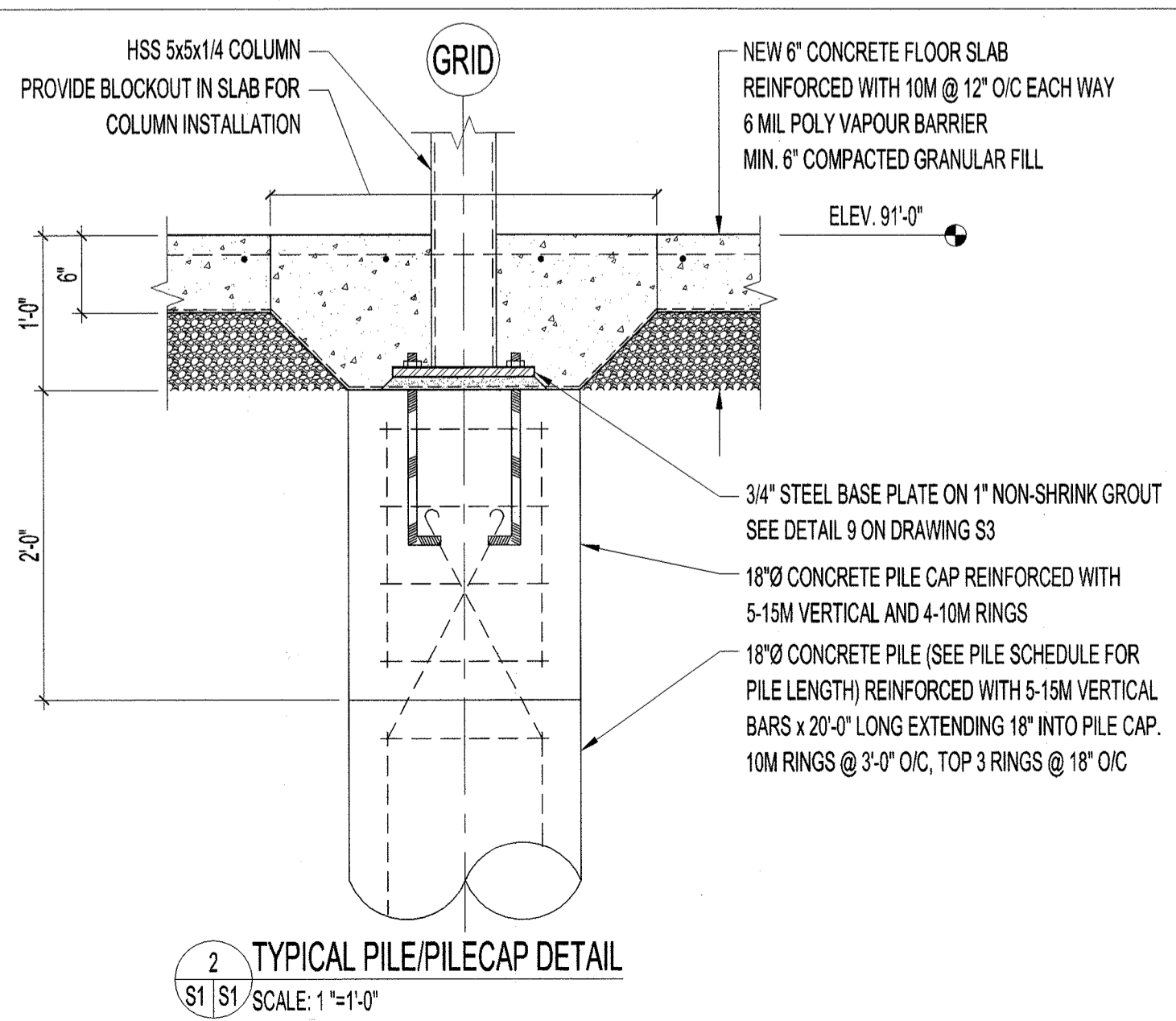
THE CITY OF WINNIPEG
 PLANNING, PROPERTY AND
 DEVELOPMENT DEPARTMENT
 MUNICIPAL ACCOMMODATIONS DIVISION
 3-65 GARRY STREET, R3C 4K4

PROJECT
AMBULANCE STATION #3
STRUCTURAL & OCCUPANCY UPGRADES
DESIGN OF STRUCTURAL UPGRADES

588 ST. MARY'S ROAD
 SHEET TITLE
FOUNDATION PLAN

SCALE	PROJECT No.	SHEET No.
AS SHOWN	2013-047	S1

1 FOUNDATION PLAN
 S1 S1 SCALE: 1/4"=1'-0"



PILE SCHEDULE			
PILE NAME	PILE Ø	PILE LENGTH	PILE REINFORCING
P-1	18"	35'-0"	5-15M VERTICAL BARS x 20'-0" LONG EXTENDING 18" INTO PILE CAP. 10M RINGS @ 3'-0" O/C, TOP 3 RINGS @ 18" O/C.
P-2	18"	25'-0"	REINFORCING AS PER P-1
P-3	18"	15'-0"	REINFORCING AS PER P-1