

## MATERIALS

### COMPOSITE SLATS:

- 89mm x 89mm COMPOSITE BOARDS
- CEDAR TONE FINISH

### METAL OPTIONS:

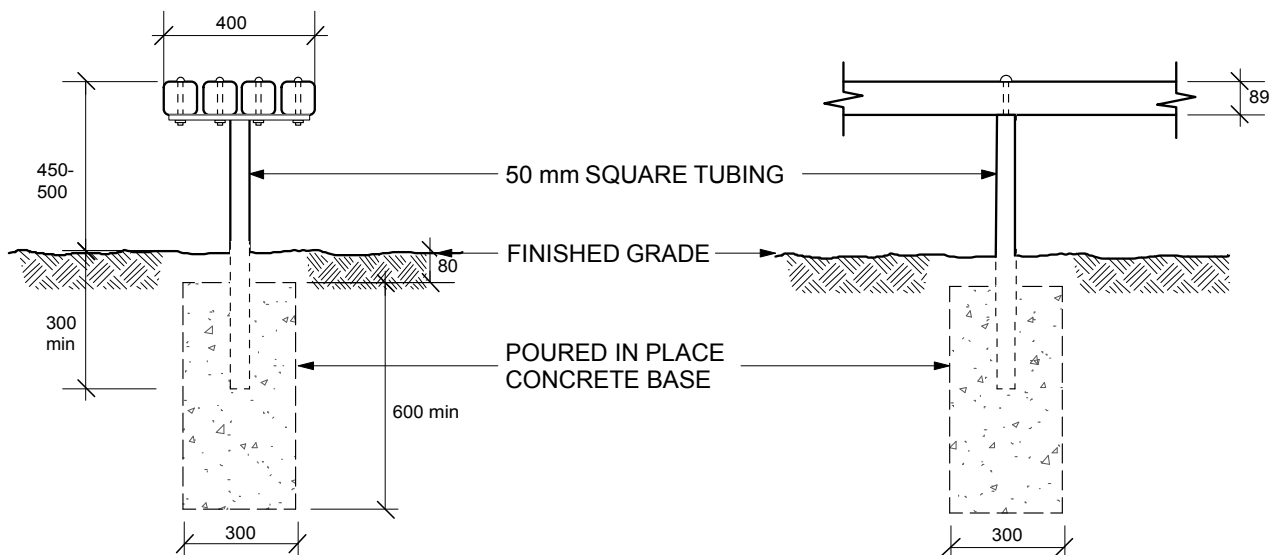
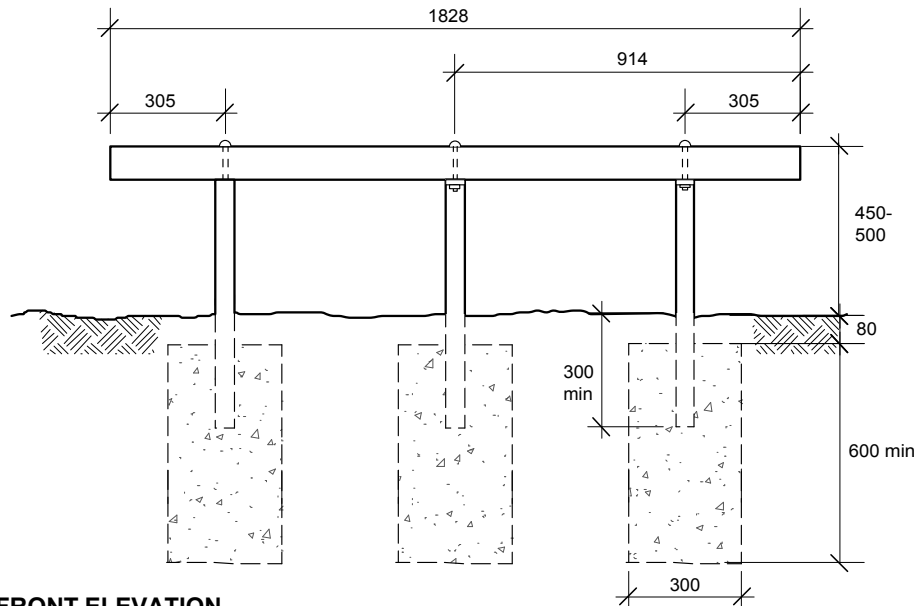
- **BLACK POWDERCOATED** - (Metal suitably cleaned to remove any grease, wax etc. for proper paint bonding to occur. Base coat Zinc rich primer. Baked with a final thickness of paint between 5-8 mil - **Product # 52501069**)
- **GALVANIZED** - **Product # 52501069GLV**

Drawing Title:

# TACHE BACKLESS BENCH COMPOSITE

Drawing No:

## SCD-121B



DIMENSIONS SHOWN ARE IN MILLIMETRES UNLESS OTHERWISE SPECIFIED

REVISION: 2  
DATE: December 20, 2012  
SCALE: NTS  
DRAWN BY: SP

The City of Winnipeg  
Planning, Property and Development Department  
Planning and Land Use Division  
Unit 15 - 30 Fort Street, Winnipeg, MB, R3C 4X5

