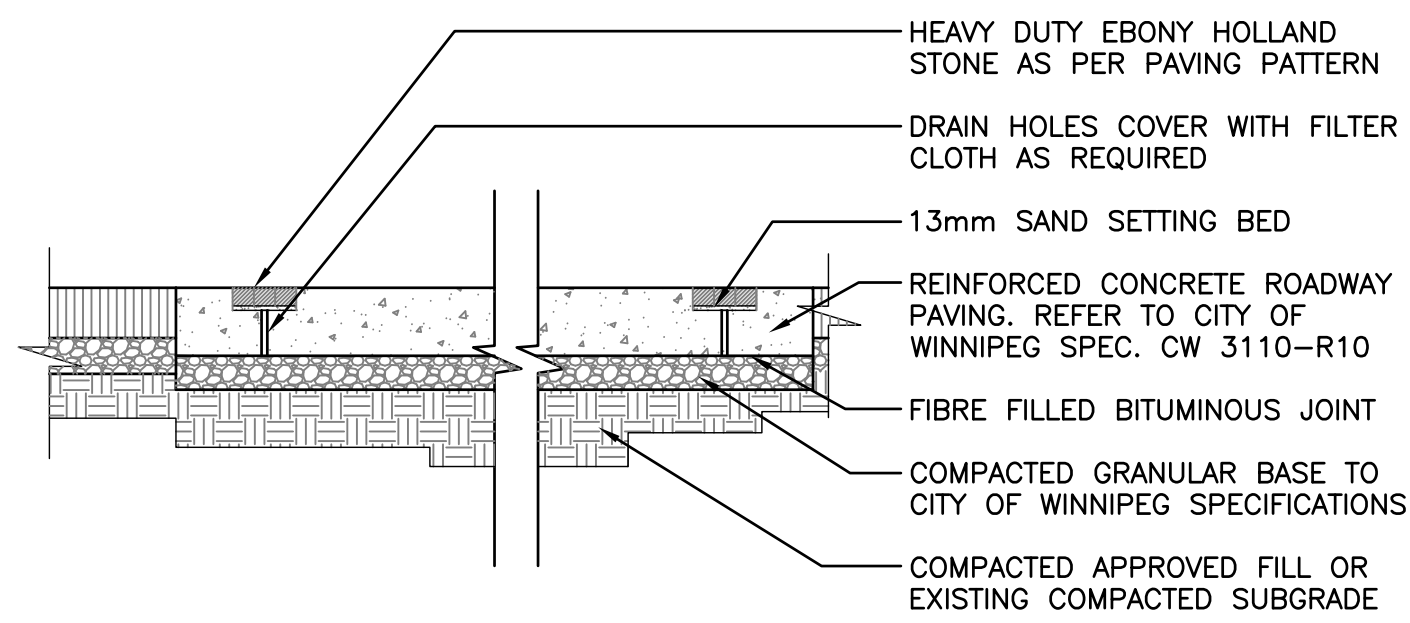
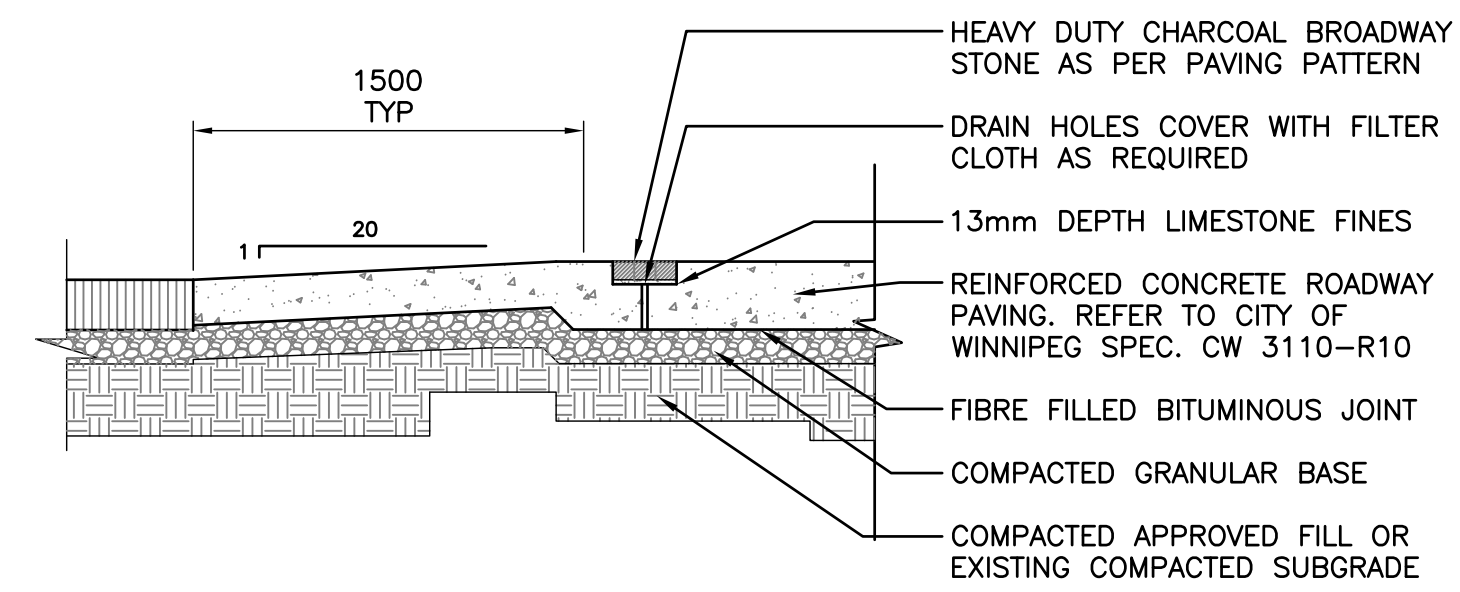


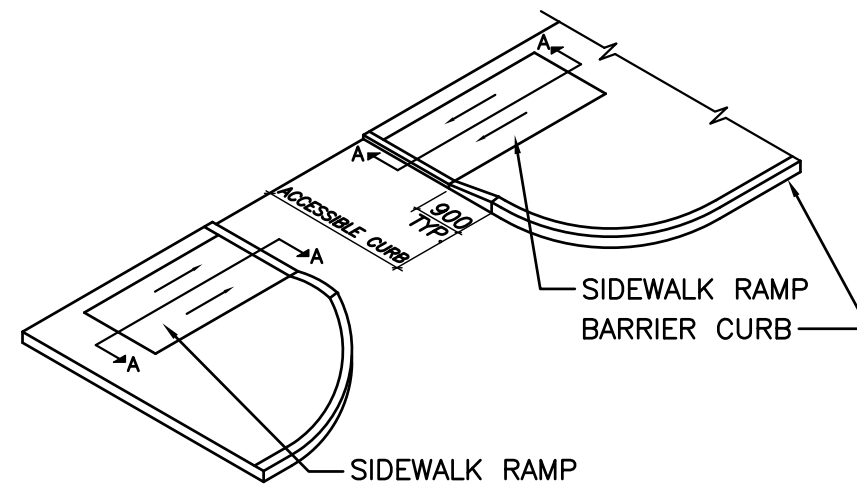
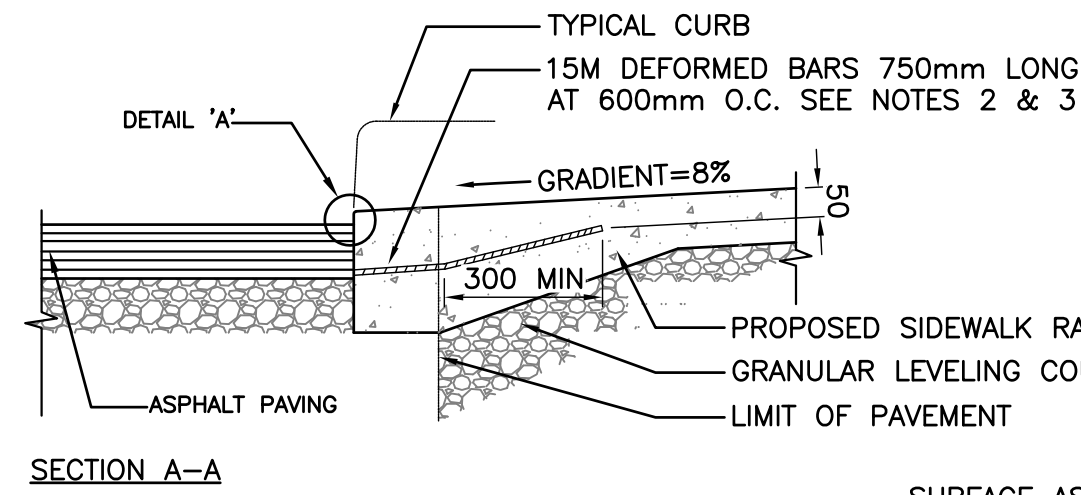
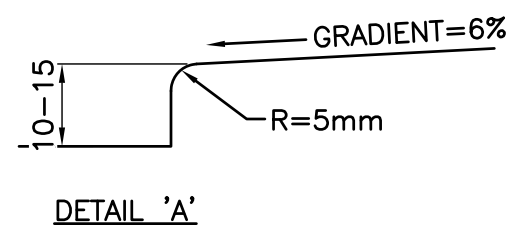
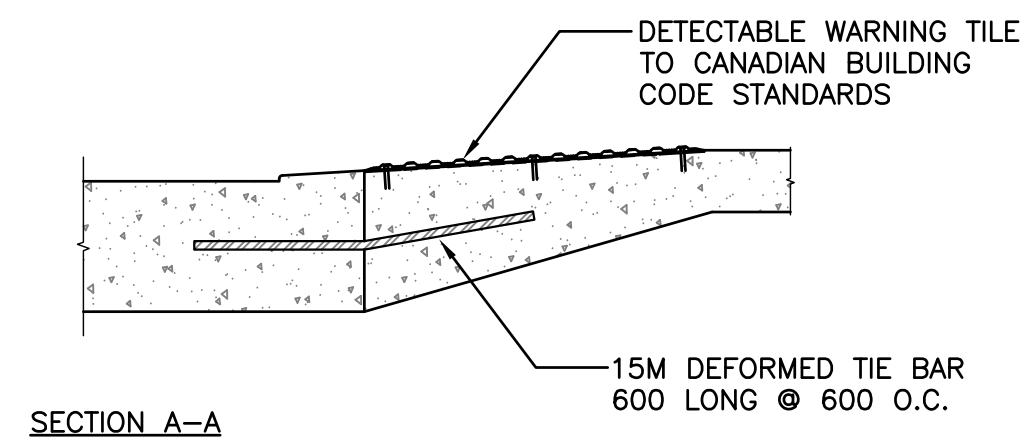
1 UNIT PAVER IN SIDEWALK - TYPICAL
L2.1] N.T.S.



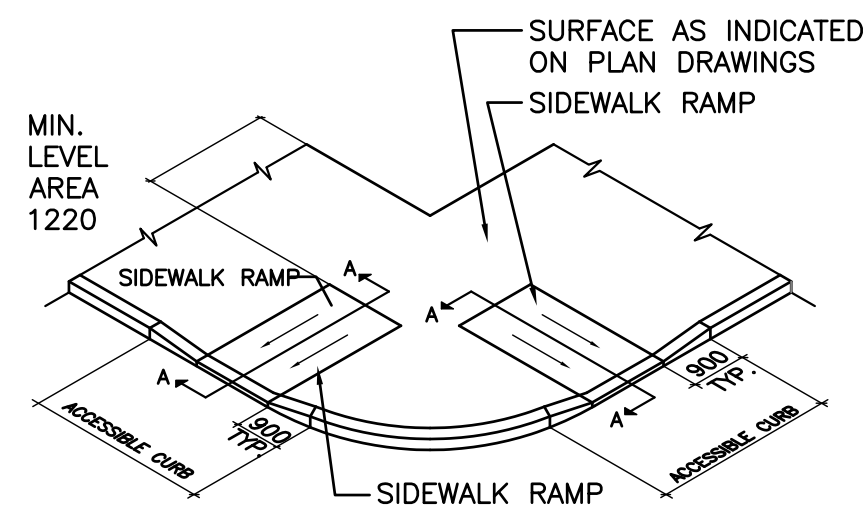
2 UNIT PAVER IN CONCRETE CROSSWALK
L2.6] N.T.S.



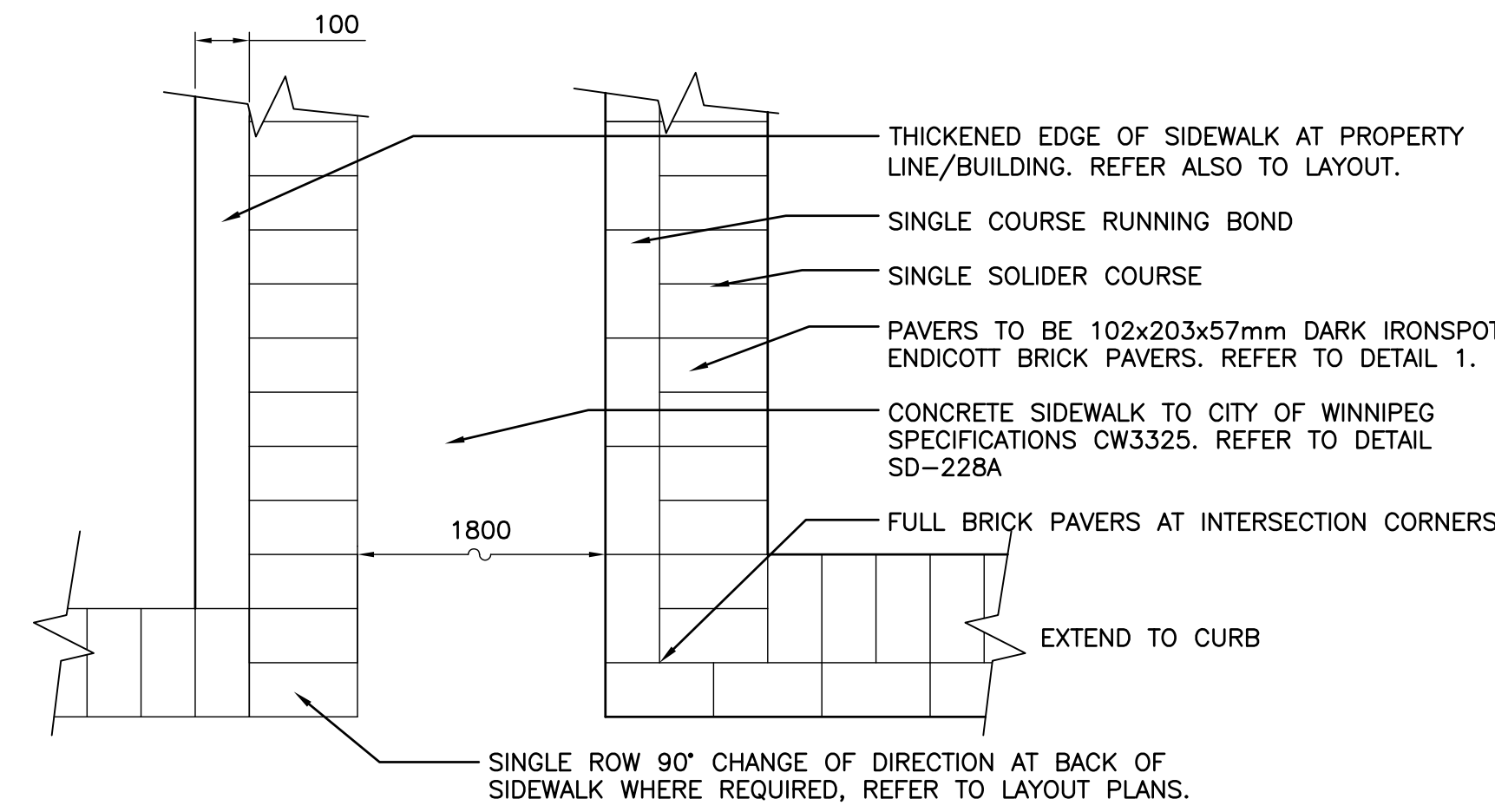
3 UNIT PAVER IN RAISED CONCRETE CROSSWALK
L2.6] N.T.S.



ISOMETRIC VIEWS

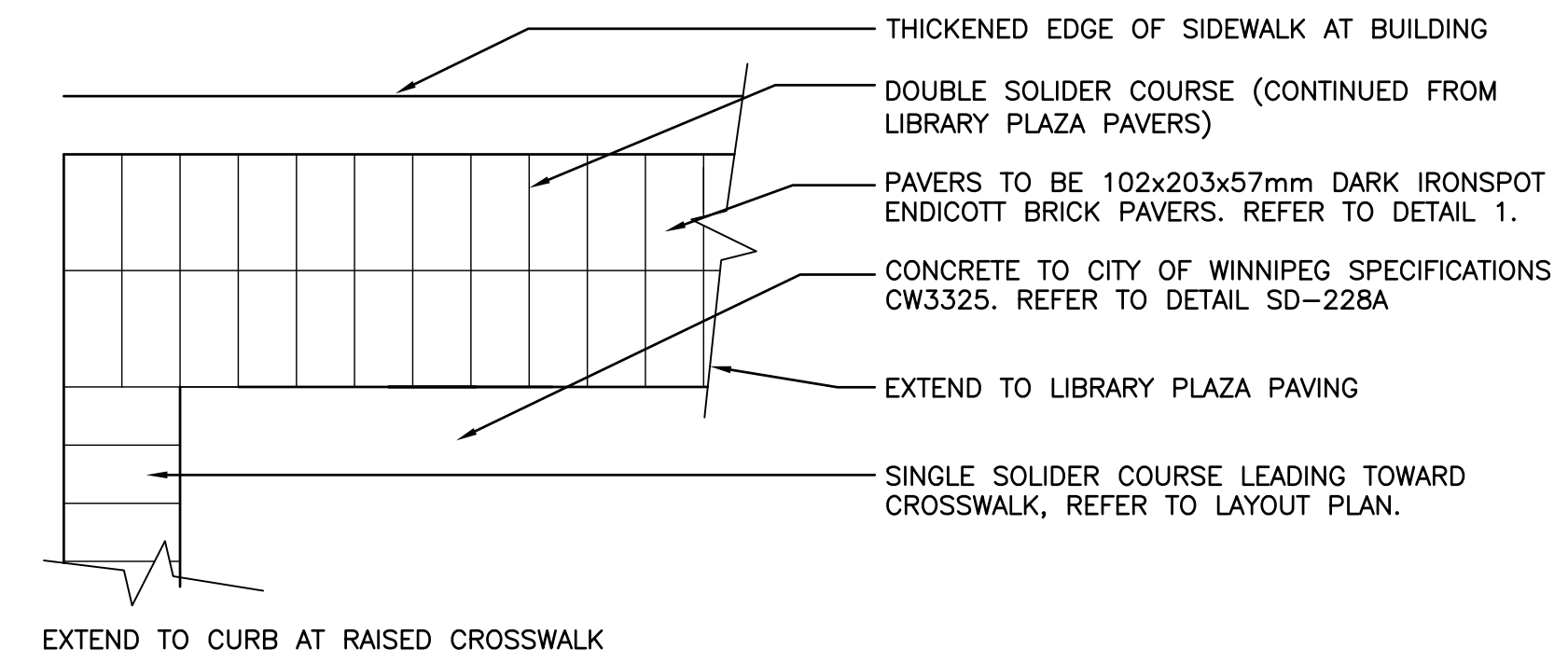


NOTE: RADII < 6.0m



NOTE: TYPICAL PATTERN OF SIDEWALK PATH OF TRAVEL SHOWN. 90 DEG. ANGLE FOR UNIT PAVERS IS FOUND AT INTERSECTIONS. REFER TO LAYOUT PLANS.

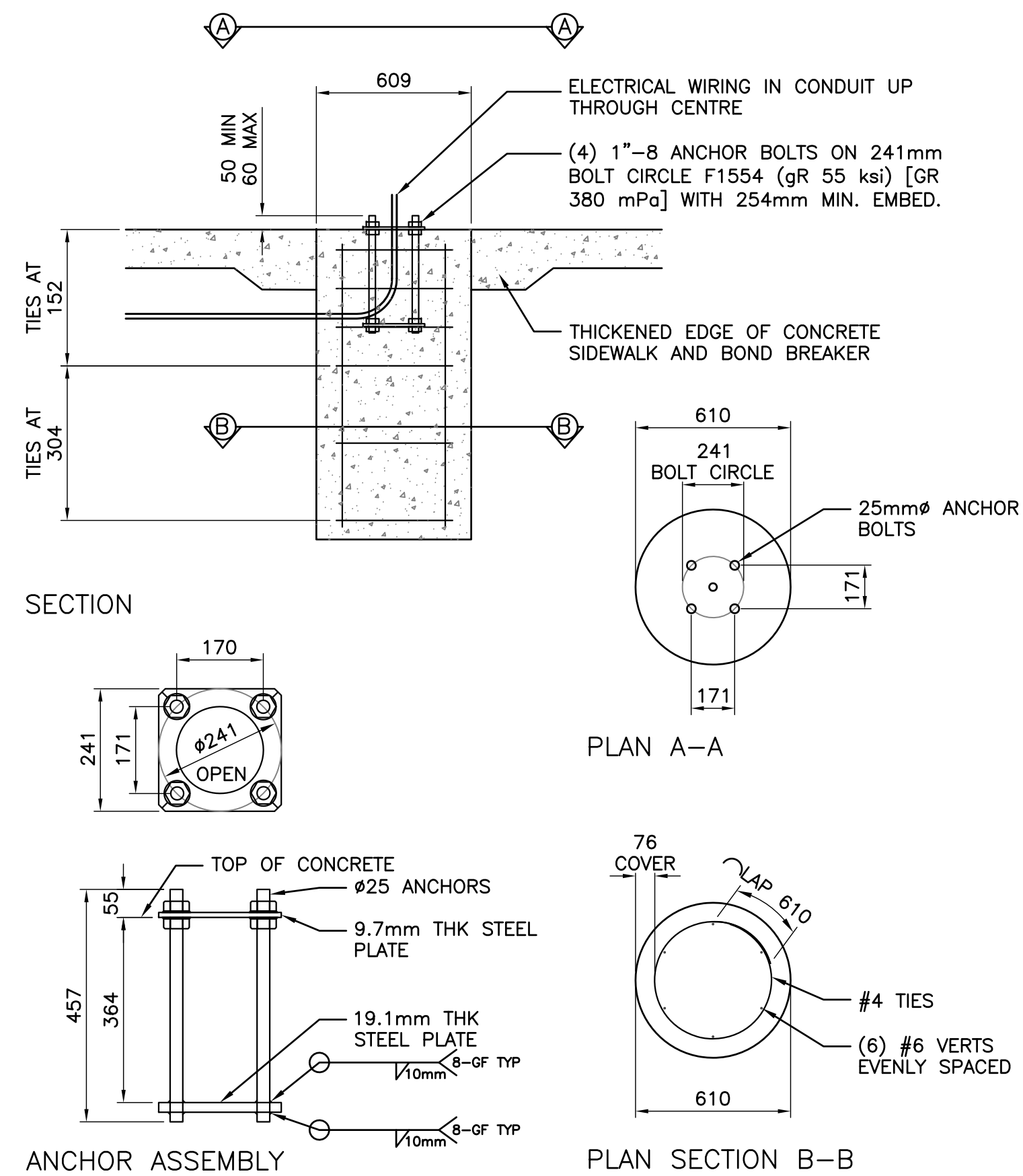
5 PAVING BAND CORNER PATTERN
L2.6] N.T.S.



EXTEND TO CURB AT RAISED CROSSWALK

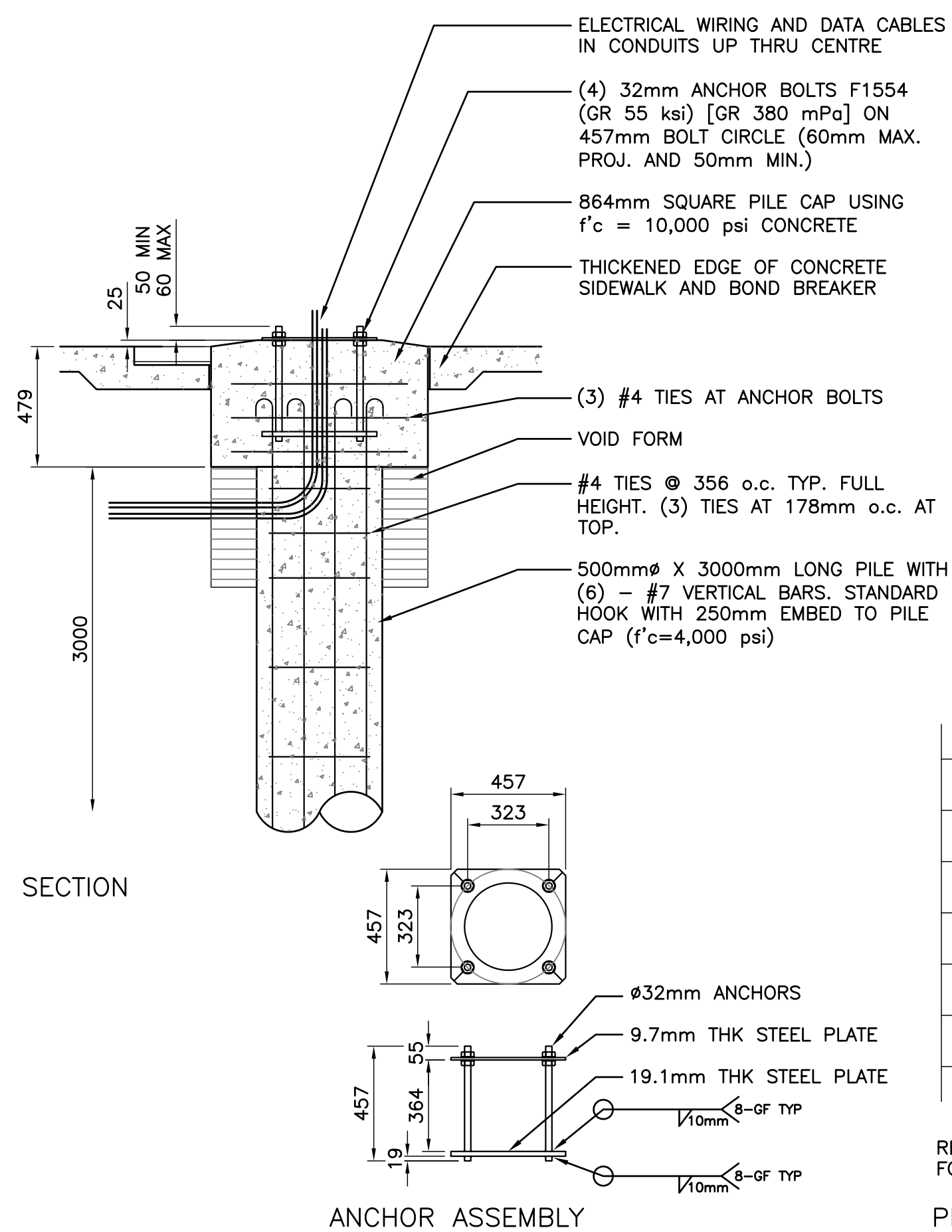
6 PAVING PATTERN LIBRARY PLAZA TRANSITION
L2.1] N.T.S.

4 PARA RAMP
L2.1] N.T.S.

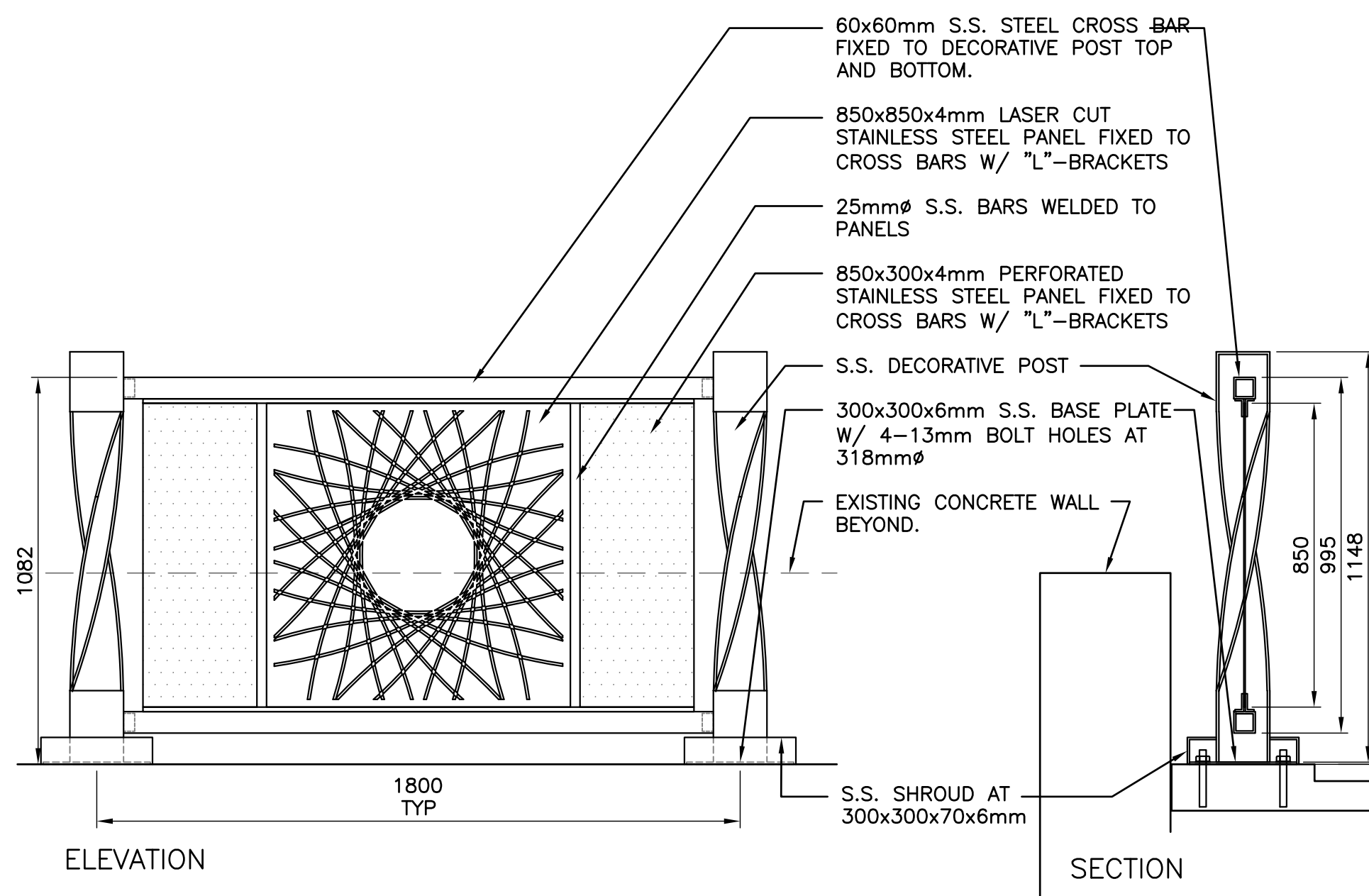
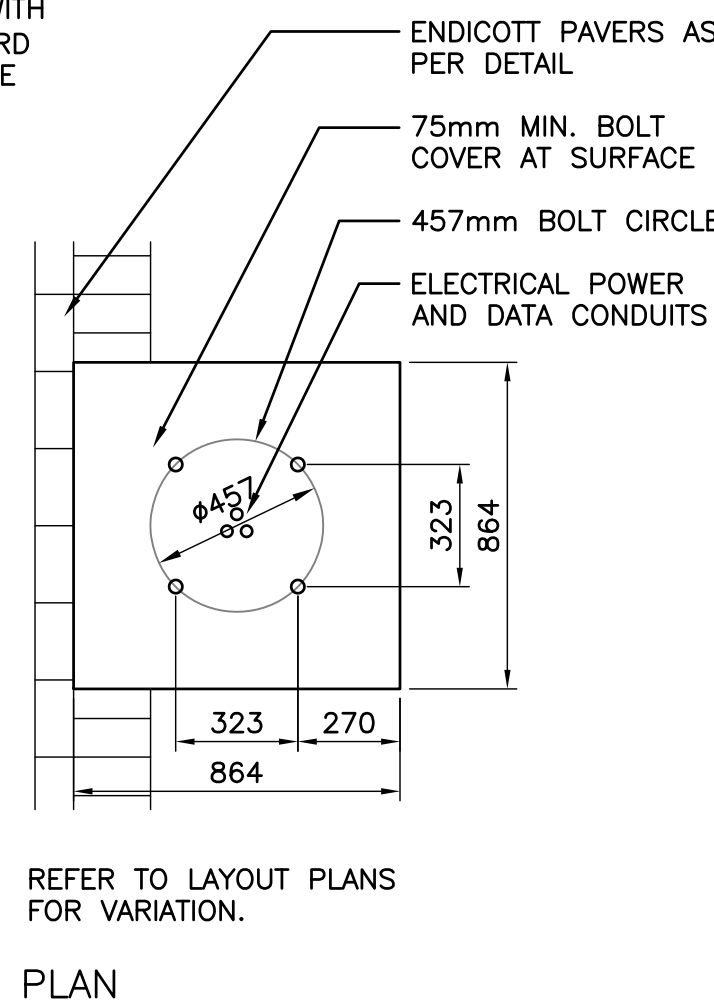


NOTE:
1. REFER TO MODIFIED CONCRETE BASE FOR PEDESTRIAN LEVEL LIGHT POLE W/ CAP FOR CAP DETAIL WHERE REQUIRED WITHIN BARRIER WALL. REFER TO LAYOUT PLAN.

7 CONCRETE BASE FOR PEDESTRIAN LEVEL LIGHT POLE
L2.1] 1:50



8 CONCRETE BASE FOR STREET LIGHT POLE
L2.4] 1:50



NOTE:
1. DECORATIVE BARRIER RAILING AND BOLLARD TO BE MANUFACTURED BY W.S. MACHINING. CONTACT MYRON KRENTZ, PH: 204-326-5444

9 DECORATIVE BARRIER RAILING AND BOLLARD
L2.3] N.T.S.

CONTRACTOR TO SUPPLY SHOP DRAWINGS STAMPED BY A STRUCTURAL ENGINEER LICENSED TO PRACTICE IN THE PROVINCE OF MANITOBA WITH EXTENSIVE EXPERIENCE IN THE DESIGN & MANUFACTURING OF PRECAST CONCRETE AND METAL FABRICATION. SHOP DRAWINGS TO INCLUDE WALL THICKNESSES, MATERIALS ETC. AS LISTED IN THE SPECIFICATIONS AND ALL FOUNDATIONS.

1	ISSUE FOR CITY REVIEW AND TENDER	10/07/14
1	Issue	Scale
10-07-14	AS NOTED	
Designed By	Drawn By	Checked By
JW	JW/AR	JW



DETAILS