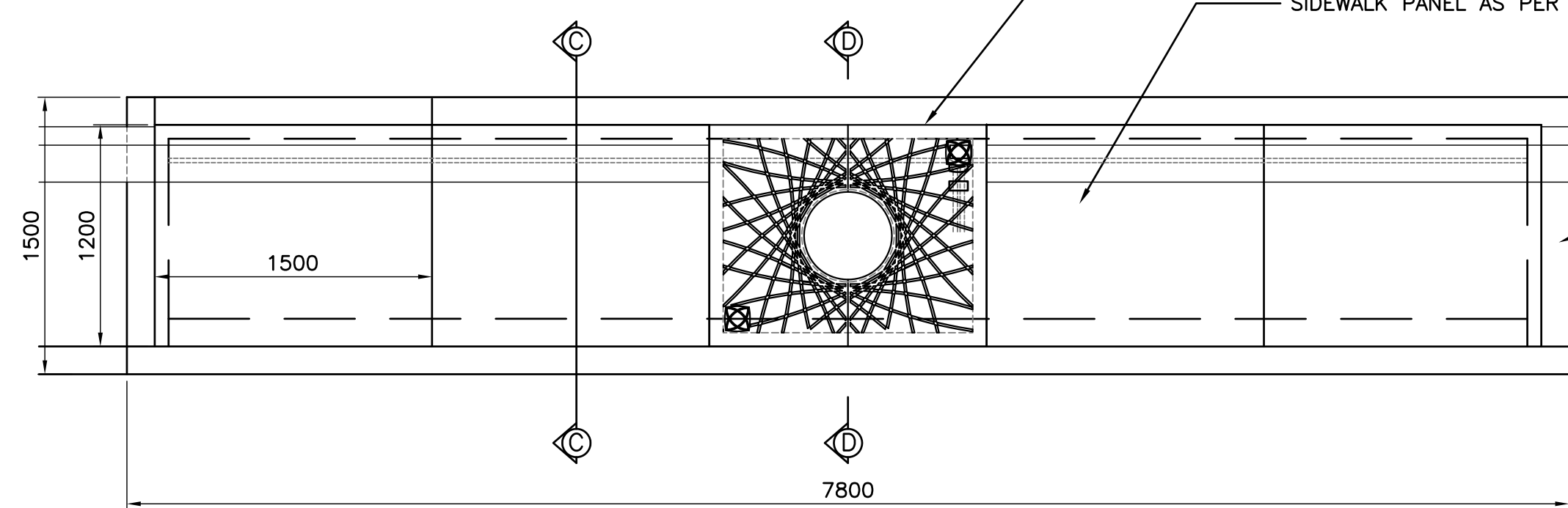


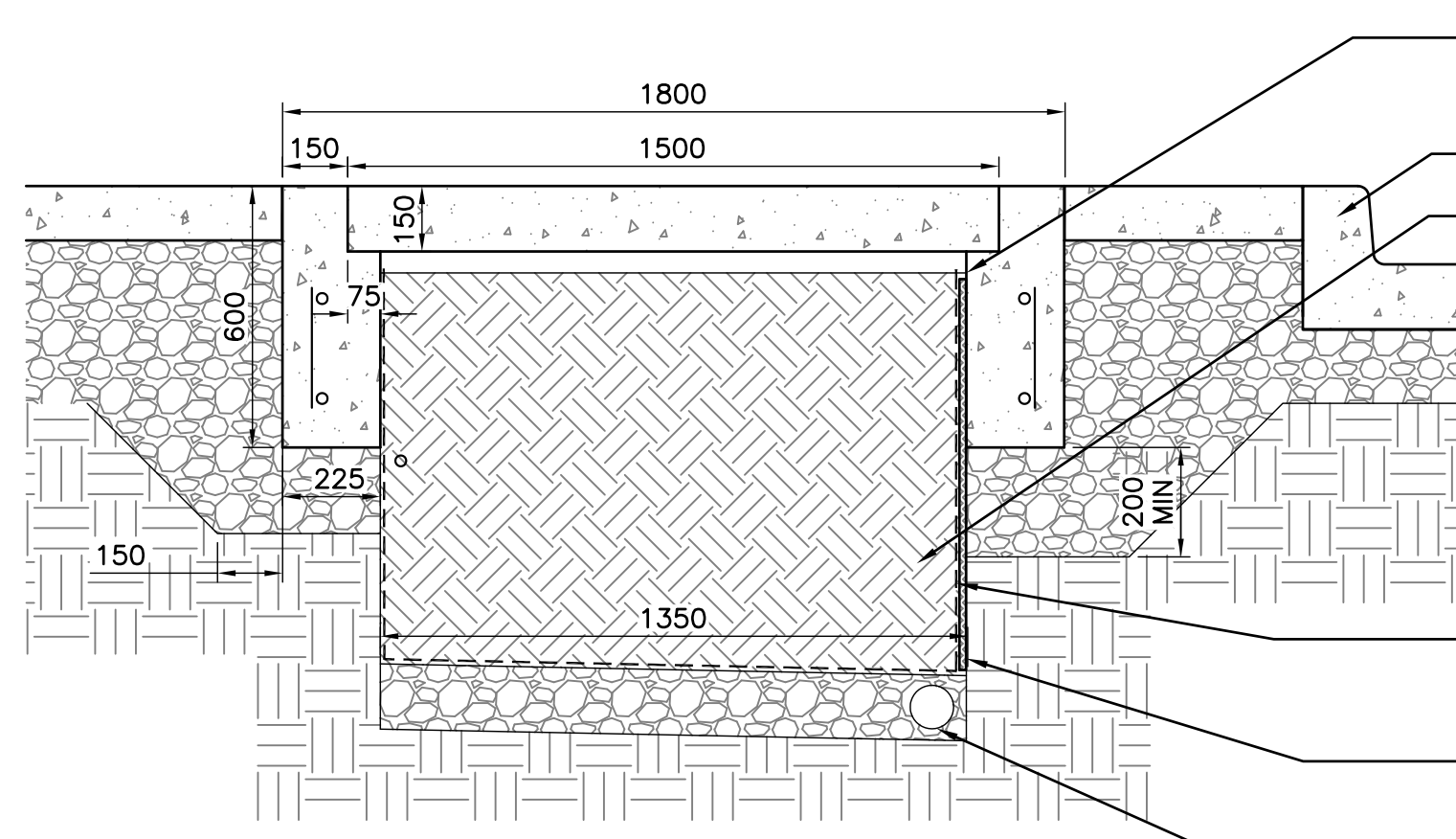
10 TYPE A TREE VAULT - PLAN
L2.1 N.T.S.

12 SIDEWALK PANEL AS PER DETAIL L4.2
17 TWO PIECE SQUARE STAINLESS STEEL TREE GRATE L4.2
13 SIDEWALK PANEL AS PER DETAIL L4.2



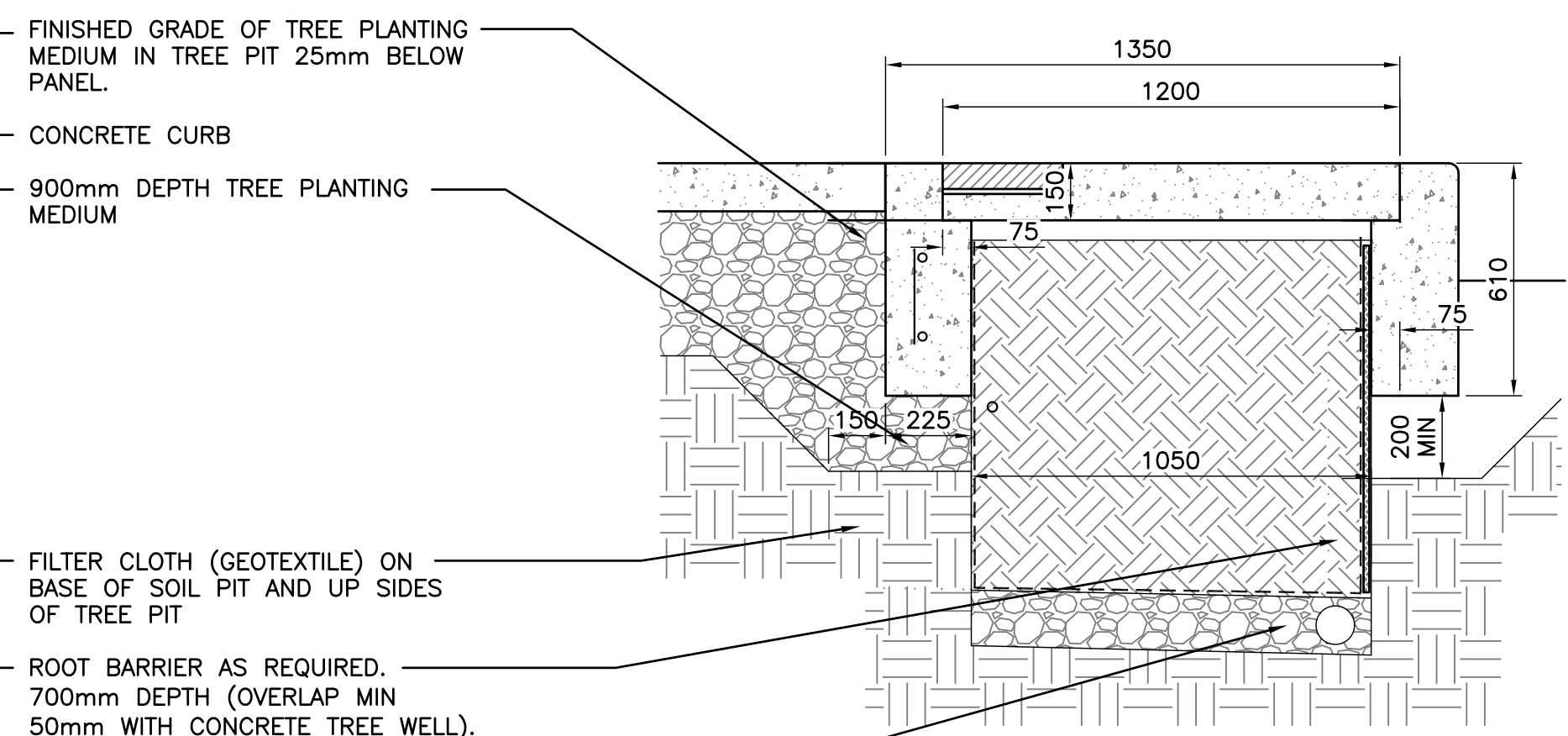
11 TYPE B TREE VAULT - PLAN
L2.1 N.T.S.

ENDICOTT PAVERS AS PER DETAIL 1/L5.1
CONCRETE VAULT AS PER DETAIL 13/L5.2
MODIFIED VAULT ALONG CURB AS PER DETAIL 13/L5.2
CONCRETE CURB



SECTION A-A

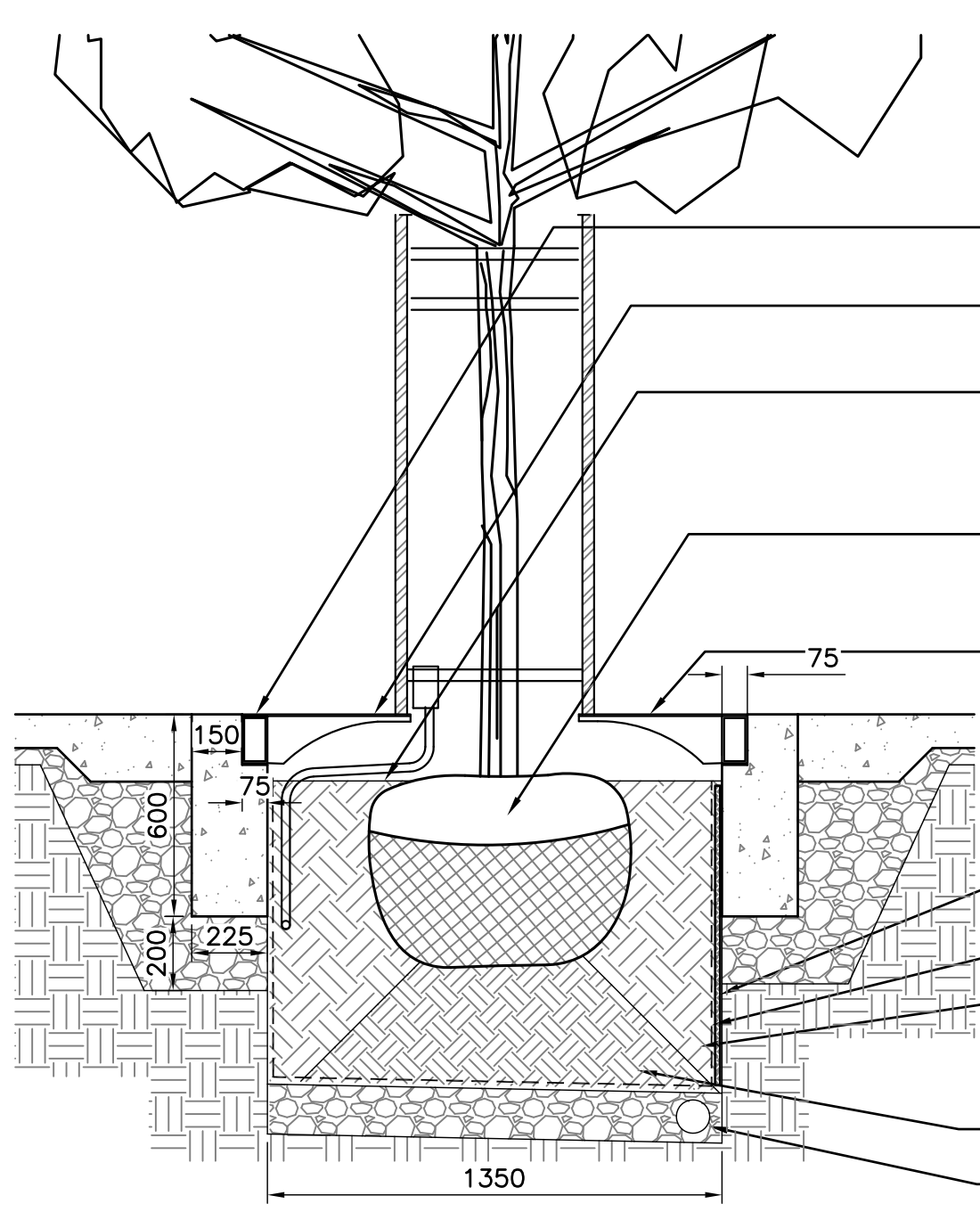
12 TREE VAULT - TYPE A - SECTION
L2.1 N.T.S.



SECTION C-C

13 TREE VAULT - TYPE B - SECTION
L2.1 N.T.S.

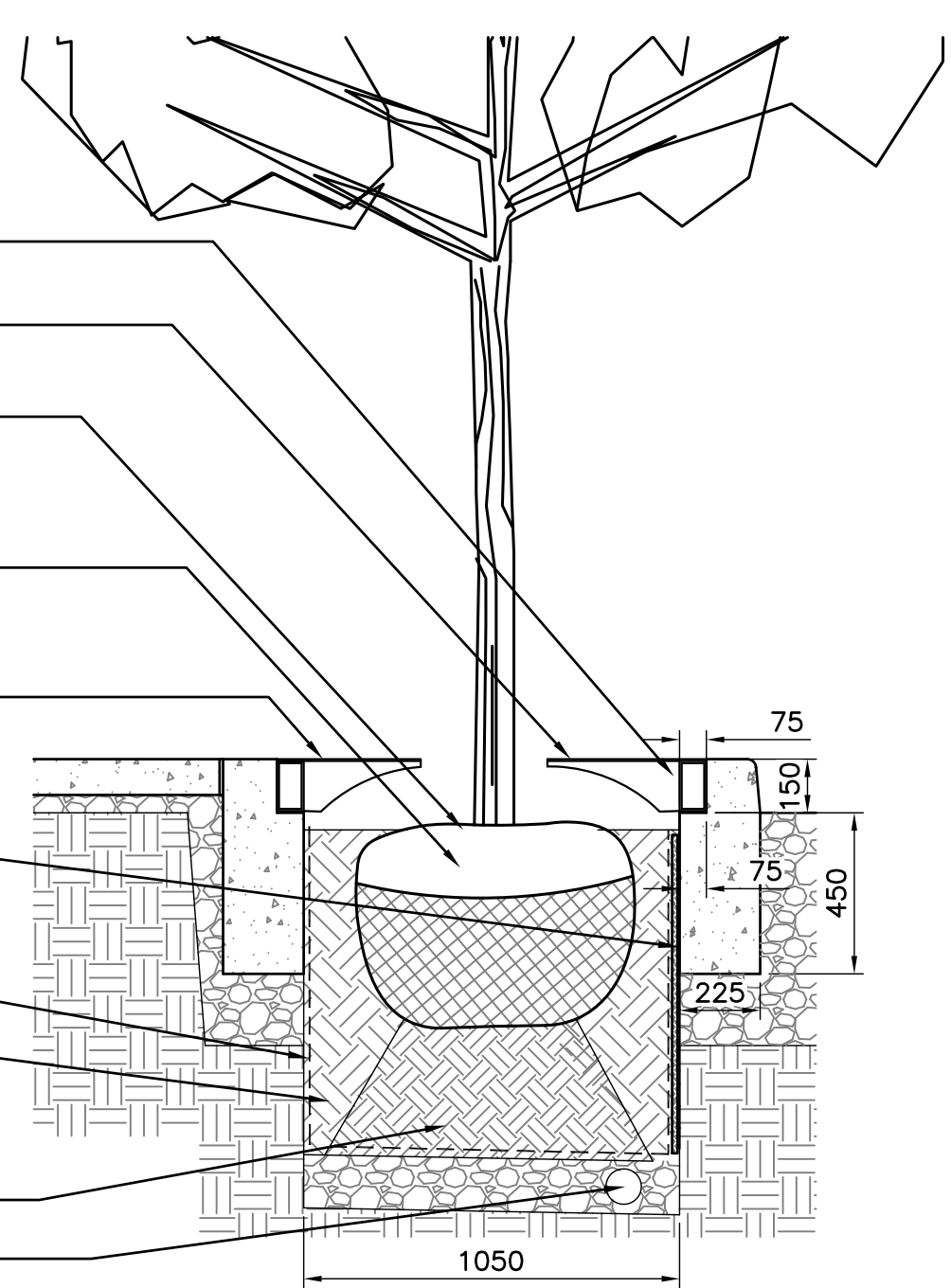
FINISHED GRADE OF TREE PLANTING MEDIUM IN TREE PIT 25mm BELOW PANEL.
CONCRETE CURB
900mm DEPTH TREE PLANTING MEDIUM
FILTER CLOTH (GEOTEXTILE) ON BASE OF SOIL PIT AND UP SIDES OF TREE PIT
ROOT BARRIER AS REQUIRED. 700mm DEPTH (OVERLAP MIN 50mm WITH CONCRETE TREE WELL). CONTINUOUS ALONG TREE PIT ON ROAD SIDE
150mm MINIMUM DEPTH DRAINAGE STONE GRADED TO DRAIN TO COLLECTOR PIPE



SECTION B-B

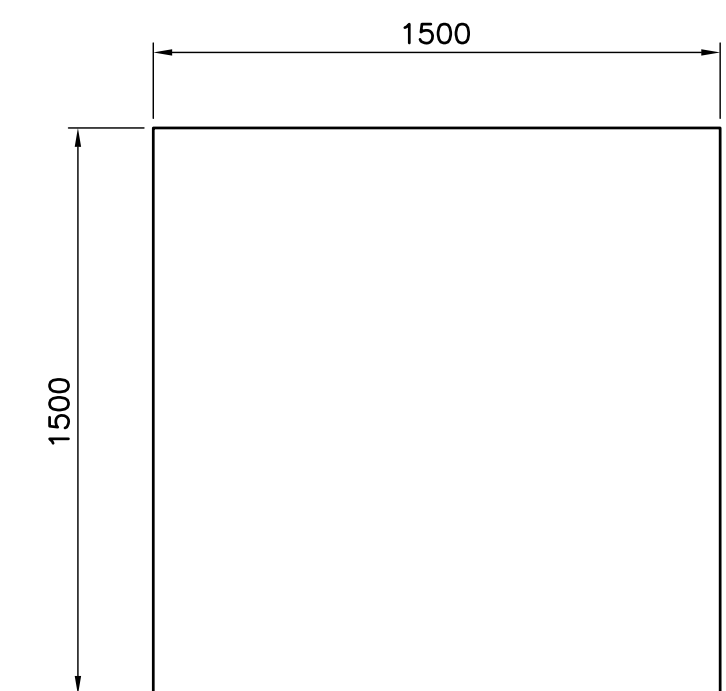
14 TREE VAULT - TYPE B - TREE PLANTING
L2.1 N.T.S.

50x150mm CONTINUOUS GALV. STEEL ANGLE BOLTED TO SIDEWALK
TREE TO BE SET PLUMB IN CENTER OF TREE COVER AREA. CLEAR STEM HEIGHT TO BE 2030mm
FINISHED GRADE OF TREE PLANTING MEDIUM IN TREE PIT 100mm BELOW TREE GRATE
BEND BACK FROM TOP 'D'S ON WIRE BASKET AND REMOVE BURLAP FROM TOP 1/3 OF ROOT BALL. REMOVE ALL TWINE AND NON ORGANIC MATERIALS
2 PIECE SQUARE TREE GRATE
TREE WELL TO BE INTEGRAL WITH NEW CURB
ROOT BARRIER. 900mm DEPTH. CONTINUOUS ALONG TREE PIT ON ROAD SIDE OF TREE PIT
GEOTEXTILE ON BASE AND UP SIDES OF TREE PIT
900mm DEPTH TREE PLANTING MEDIUM. REFER TO SPECIFICATIONS
SET ROOT BALL ON COMPACTED TOPSOIL
150mm MIN. DEPTH DRAINAGE STONE GRADED TO DRAIN TO PERFORATED COLLECTOR PIPE IN SOCK. FILTER CLOTH (GEOTEXTILE) ON BASE AND SIDES OF DRAINAGE LAYER. CONNECT TO CATCH BASIN. PIPE NOT REQUIRED IF ROAD HAS SUBDRAIN

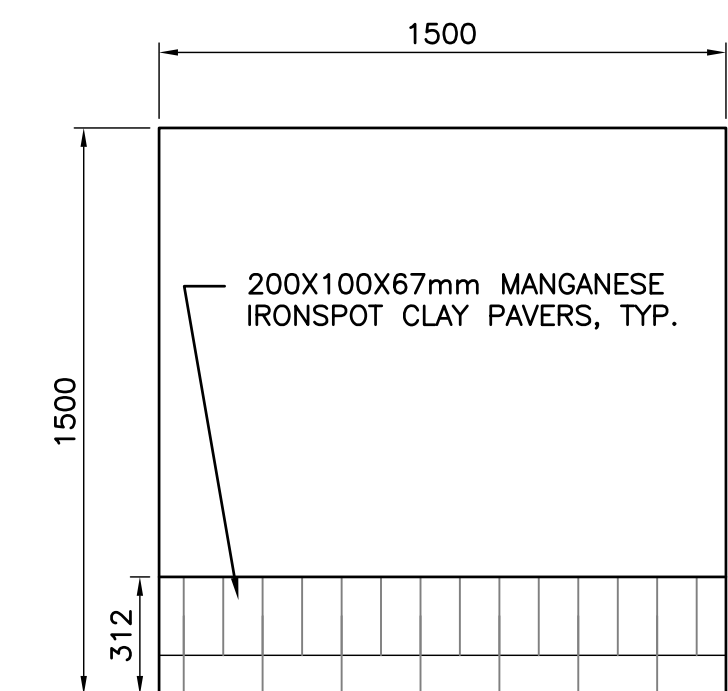


SECTION D-D

15 TREE VAULT - TYPE A - TREE PLANTING
L2.1 N.T.S.



TYPICAL PANEL - TYPE A

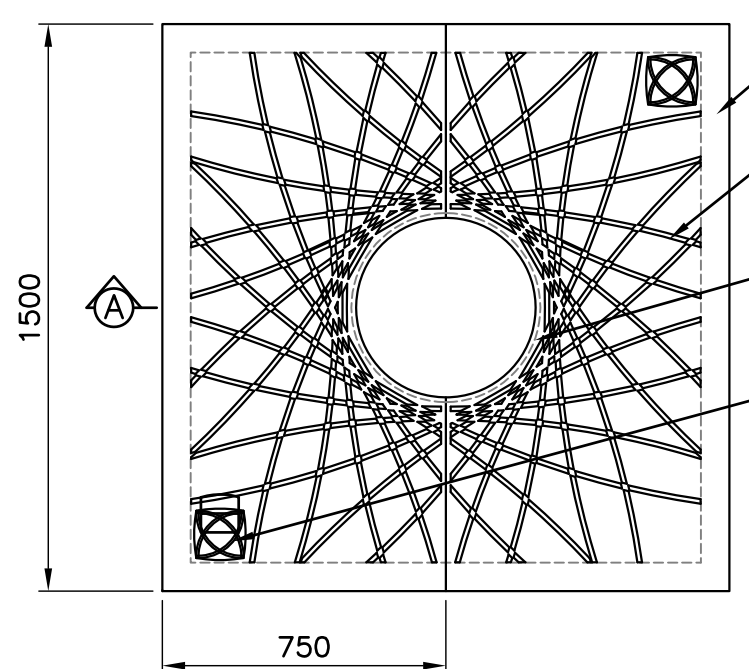


TYPICAL PANEL - TYPE B

16 TREE VAULT - PANEL PLANS
L2.1 N.T.S.

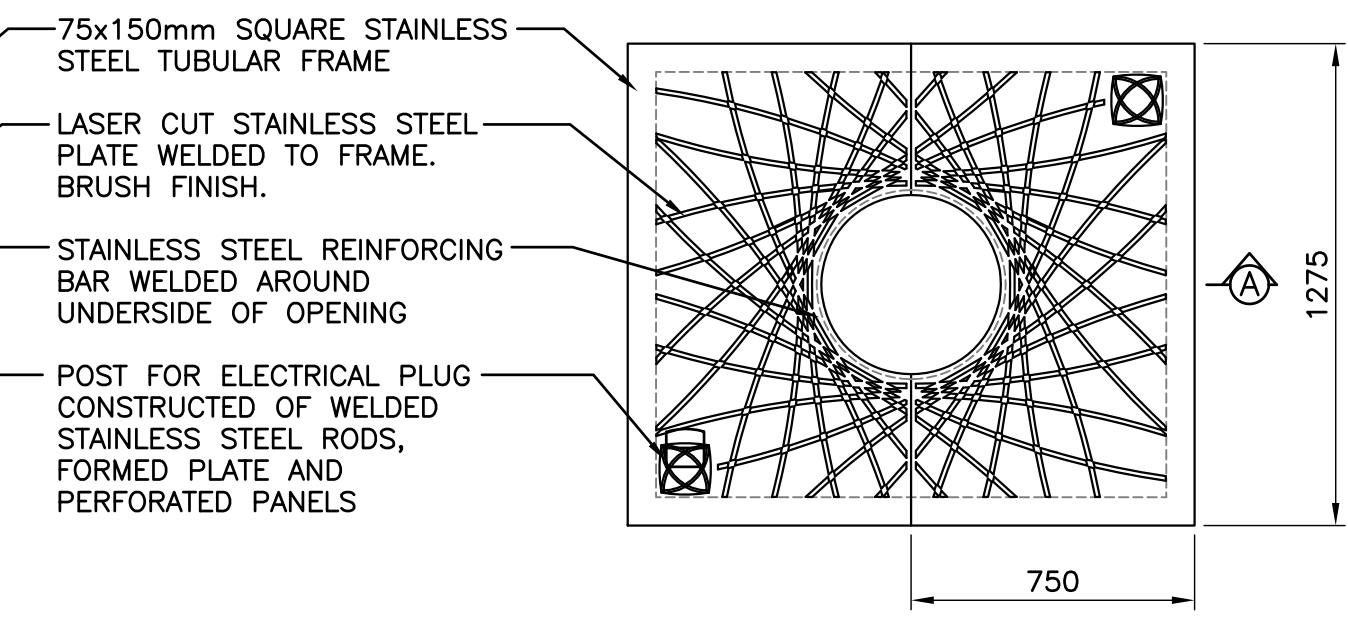
CONTRACTOR TO SUPPLY SHOP DRAWINGS STAMPED BY A STRUCTURAL ENGINEER LICENSED TO PRACTICE IN THE PROVINCE OF MANITOBA WITH EXTENSIVE EXPERIENCE IN THE DESIGN & MANUFACTURING OF PRECAST CONCRETE AND METAL FABRICATION. SHOP DRAWINGS TO INCLUDE WALL THICKNESSES, MATERIALS ETC. AS LISTED IN THE SPECIFICATIONS AND ALL FOUNDATIONS.

1	ISSUE FOR CITY REVIEW AND TENDER	10/07/14
11	Issue	10/07/14
12	Issue	10/07/14
13	Issue	10/07/14
14	Issue	10/07/14
15	Issue	10/07/14
16	Issue	10/07/14
17	Issue	10/07/14
18	Issue	10/07/14

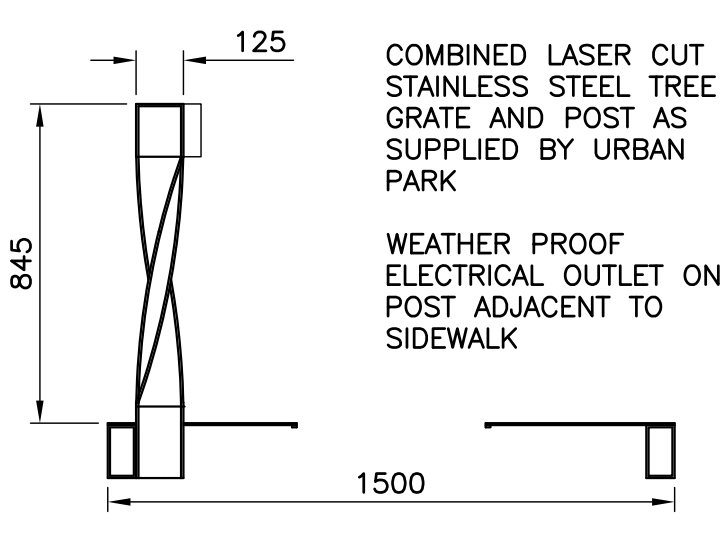


TREE GRATE TYPE 'A'

17 STAINLESS STEEL TREE GRATES WITH ELECTRICAL OUTLET POSTS
L4.2 N.T.S.

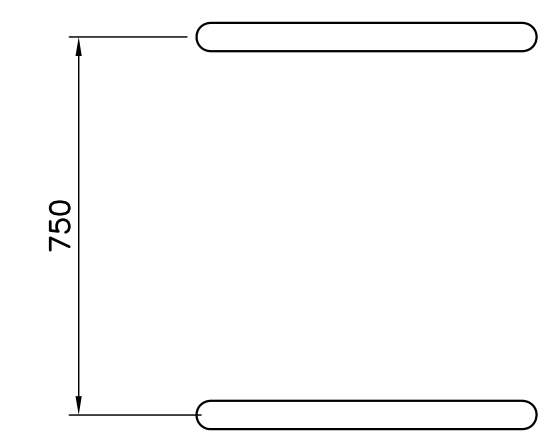


TREE GRATE TYPE 'B'

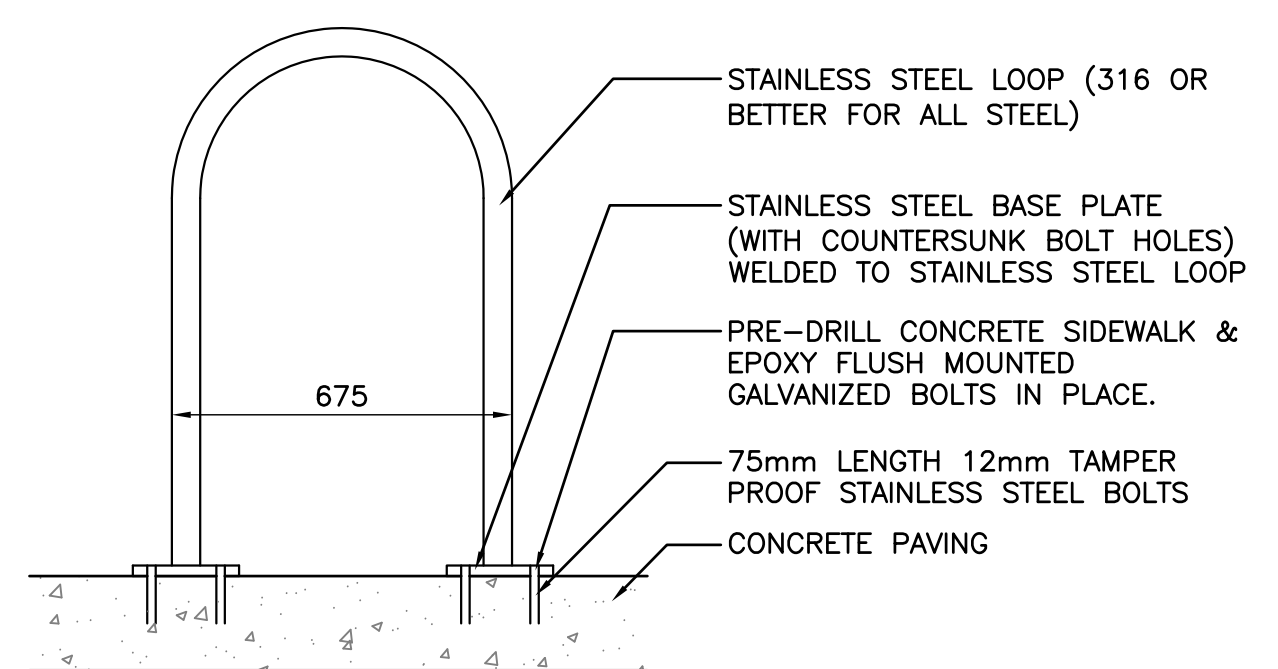


SECTION A

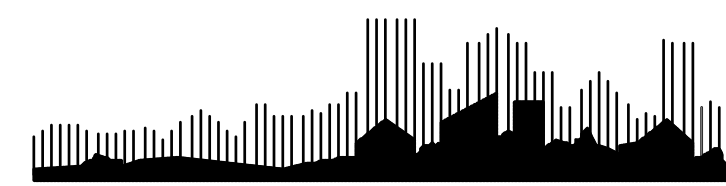
18 BICYCLE RACK
L2.6 1:40



PLAN



SECTION



McGOWAN RUSSELL
CENTRE VENTURE

Project Title
CENTRE POINT SITE WORKS

Sheet Title
DETAILS

Project No. 12-017
Drawing No. L4.2