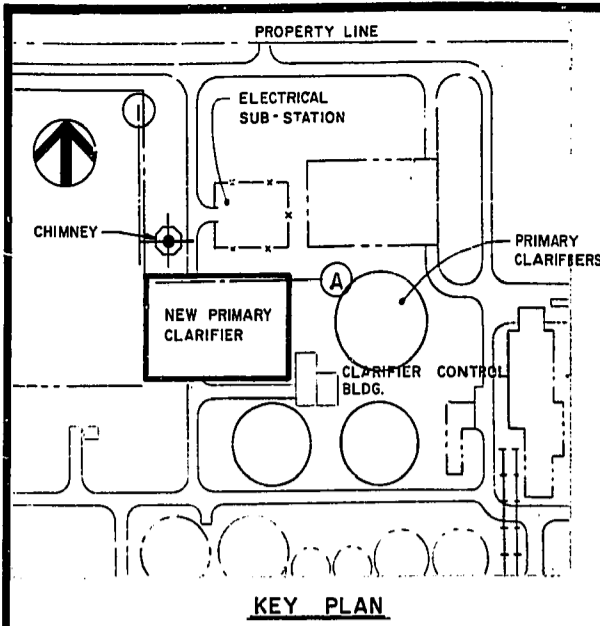
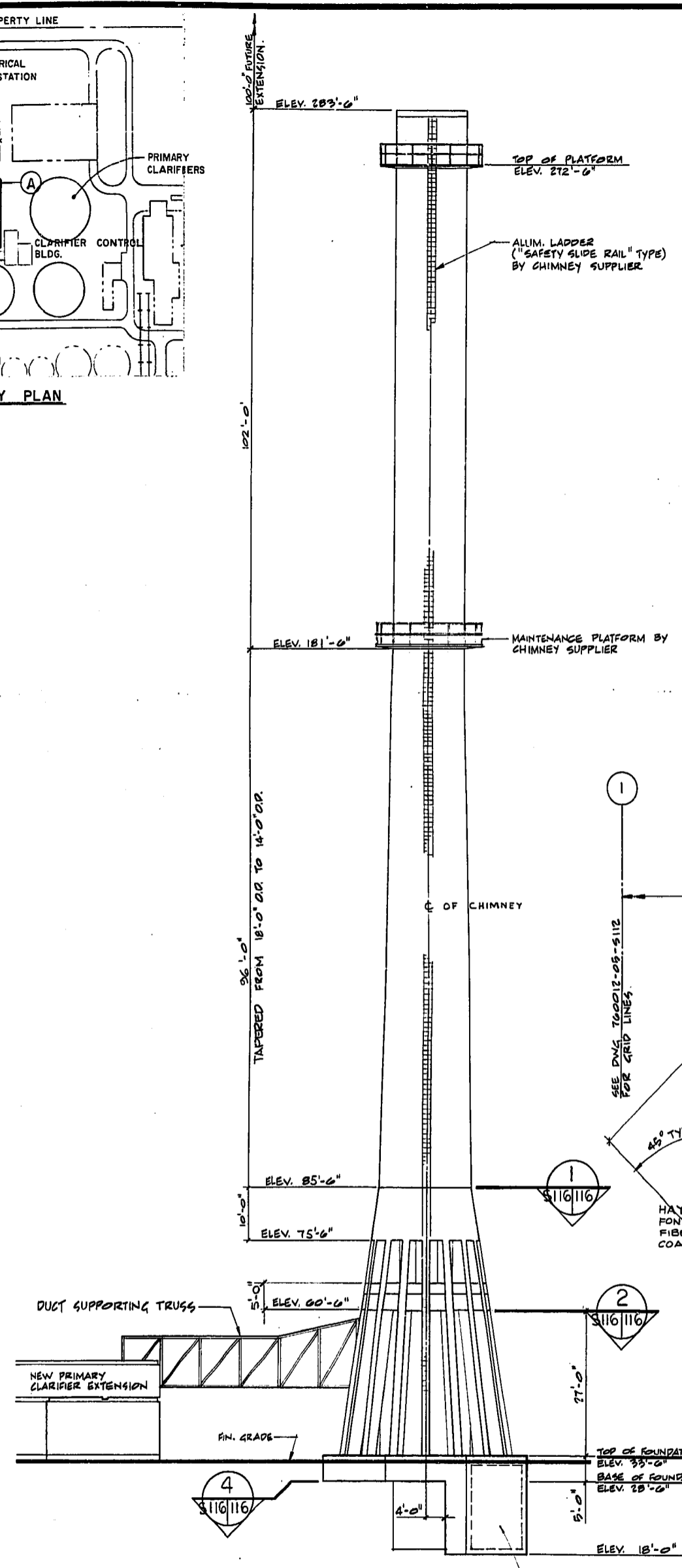


REF. or DRAWING No. **NEP 947**

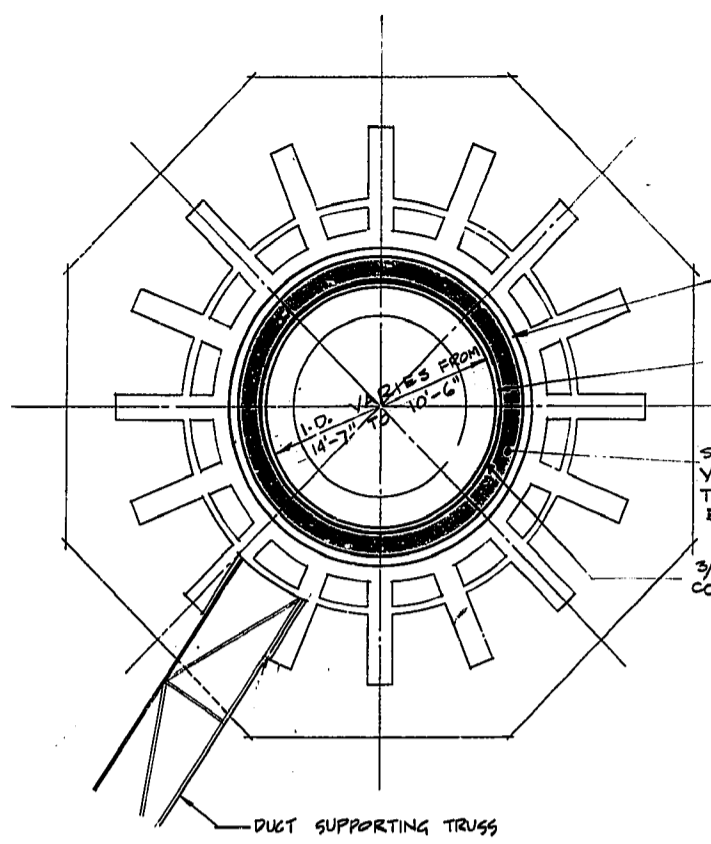
DETAILS



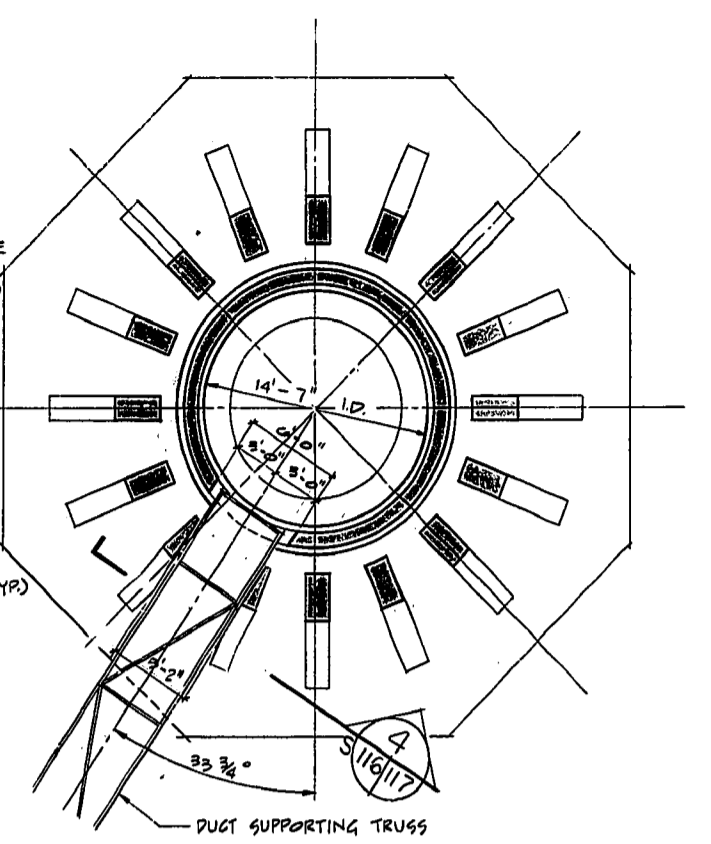
KEY PLAN



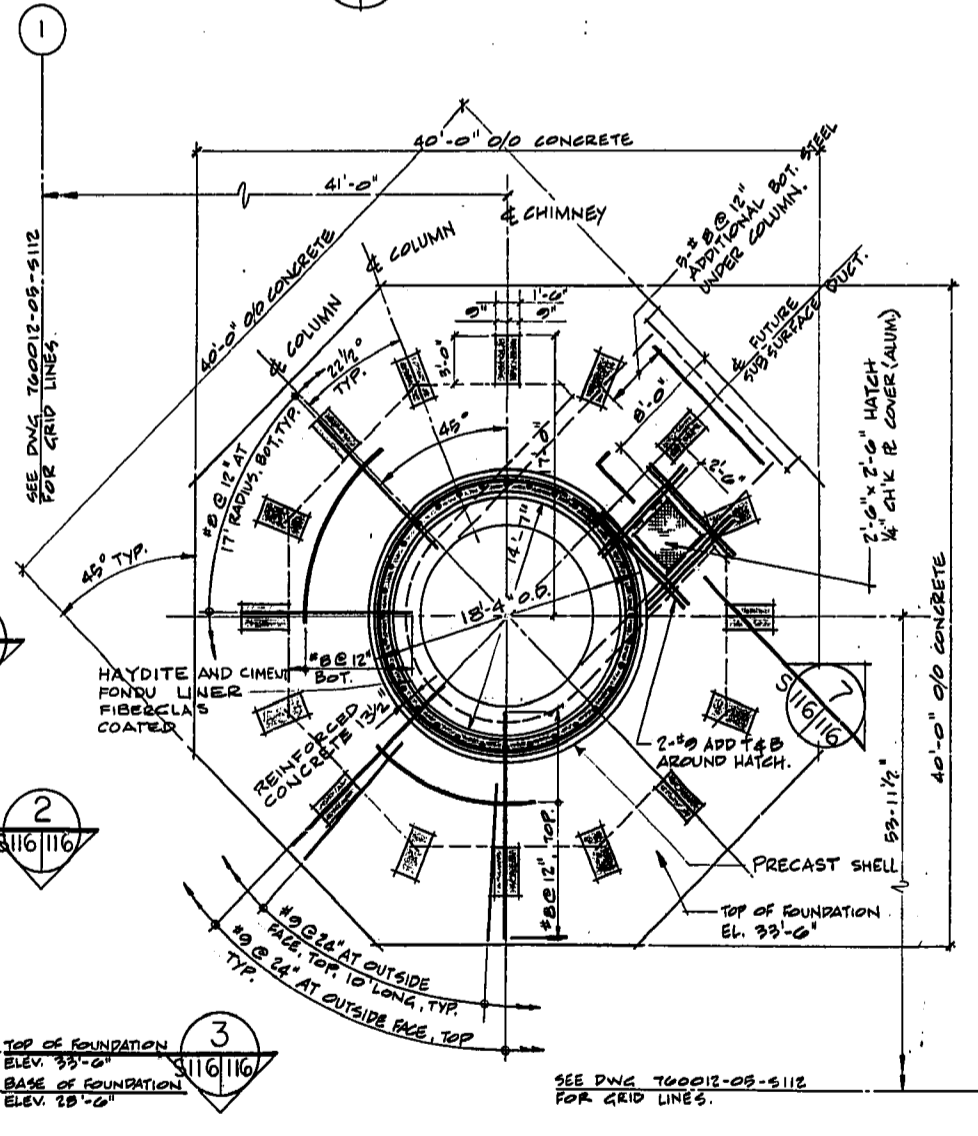
6 EAST ELEVATION OF CHIMNEY  
SCALE 1/8" = 1'-0"



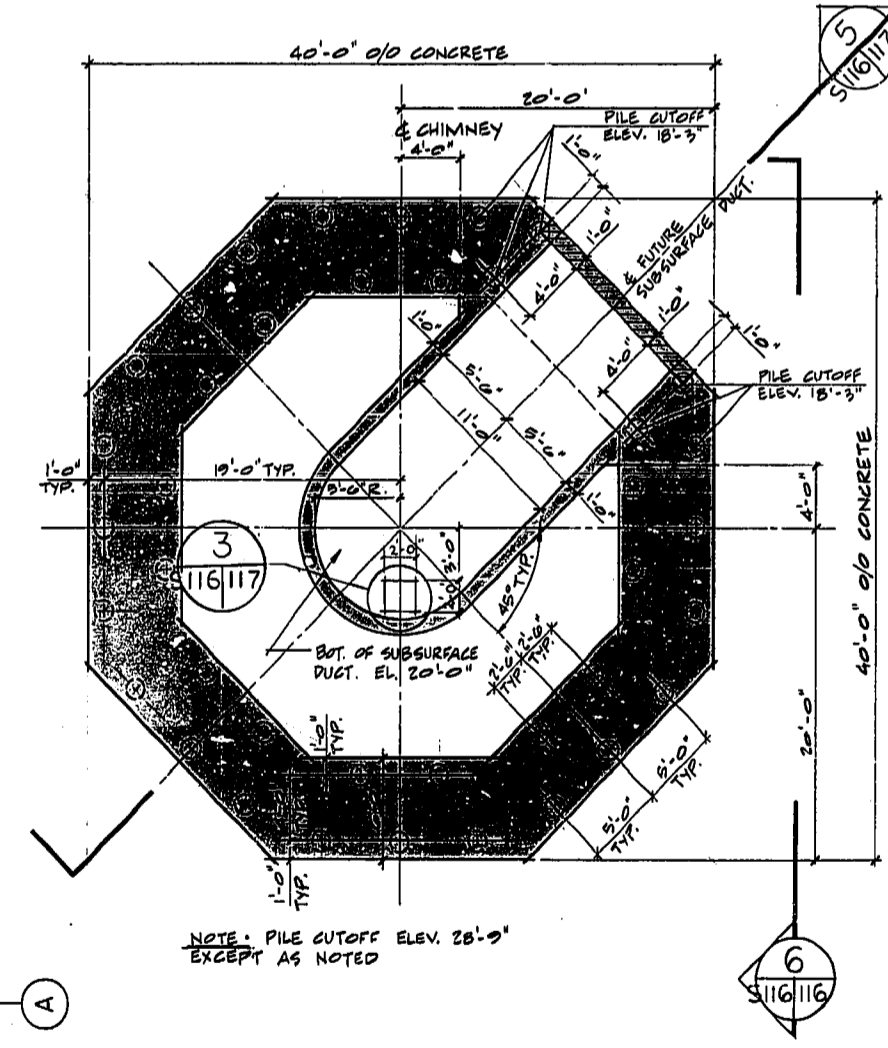
1 PLAN SECTION ABOVE ELEV. 85'-6"  
SCALE 1/8" = 1'-0"



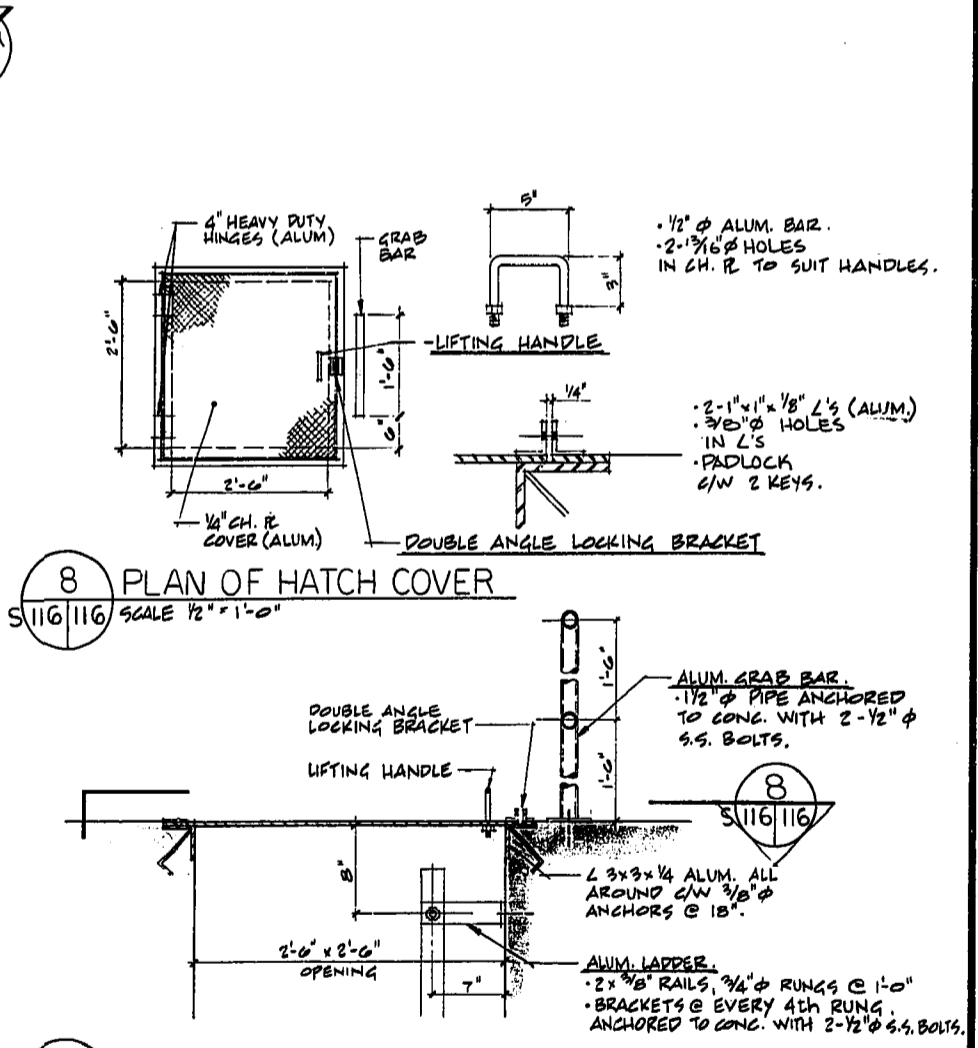
2 PLAN SECTION AT ELEV. 60'-6"  
SCALE 1/8" = 1'-0"



3 PLAN SECTION AT ELEV. 33'-6"  
SCALE 1/8" = 1'-0"



4 PLAN SECTION AT ELEV. 28'-6"  
SCALE 1/8" = 1'-0"

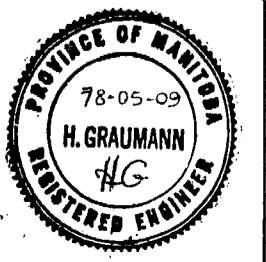


8 PLAN OF HATCH COVER  
SCALE 1/2" = 1'-0"

7 SECTION  
SCALE 1" = 1'-0"

- CHIMNEY NOTES:**
- Concrete for chimney shall have minimum compressive strength of 4000 psi and shall be sulphate resisting in accordance with CSA A5.
  - Reinforcement shall be Grade 60 in accordance with CSA G30.12.
  - All piles shall be precast 16" hex with a capacity of 90 tons.
  - Construction joints in foundation shall be keyed (see typical detail, sheet S113) and shall include a 6" PVC waterstop.
  - Concrete cover to reinforcing shall be as follows:
    - Concrete in contact with earth - 3"
    - Concrete exposed to weather - 2"
    - Interior surfaces - 2"
  - All aluminum in contact with concrete or steel shall be coated with two coats of a bituminous paint conforming to CGSB 1-GP-108B.
  - All bolted connections for aluminum shapes shall be with stainless steel bolts.
  - Interior surfaces of chimney foundation not protected by the liner shall receive two coats of an epoxy compound such as Sikagard HI-Bild or approved equal.
  - For GENERAL NOTES, refer to Drawing 76012-05-S112.
  - For chimney lighting, refer to Drawing 76012-05-E109.
  - REFER TO HANKIN BAKER SHOP DRAWINGS

NO.	DATE	DESCRIPTION



AS BUILT	
ISSUED FOR TENDER	

**W. L. WARDROP & ASSOCIATES LTD.**  
**JAMES F. MACLAREN LIMITED**  
ENGINEERING CONSULTANTS

DRAWN BY: MEK. DESIGNED BY: H.G.  
CHECKED BY: W.L.M. APPROVED BY: [Signature] DATE: [Date]

**THE CITY OF WINNIPEG**  
WORKS & OPERATIONS DEPARTMENT  
WATERWORKS, WASTE & DISPOSAL DIVISION

NORTH END WATER POLLUTION CONTROL CENTRE  
PRIMARY CLARIFIER ADDITION  
STRUCTURAL - CHIMNEY  
ELEVATION AND SECTIONS

SCALE: AS SHOWN  
DATE: MAY 1978  
CONSULTANT DRAWING NO. 76012-05-S116  
CITY DRAWING NO. NEP-947

MICROFILMED MAR 31 1980