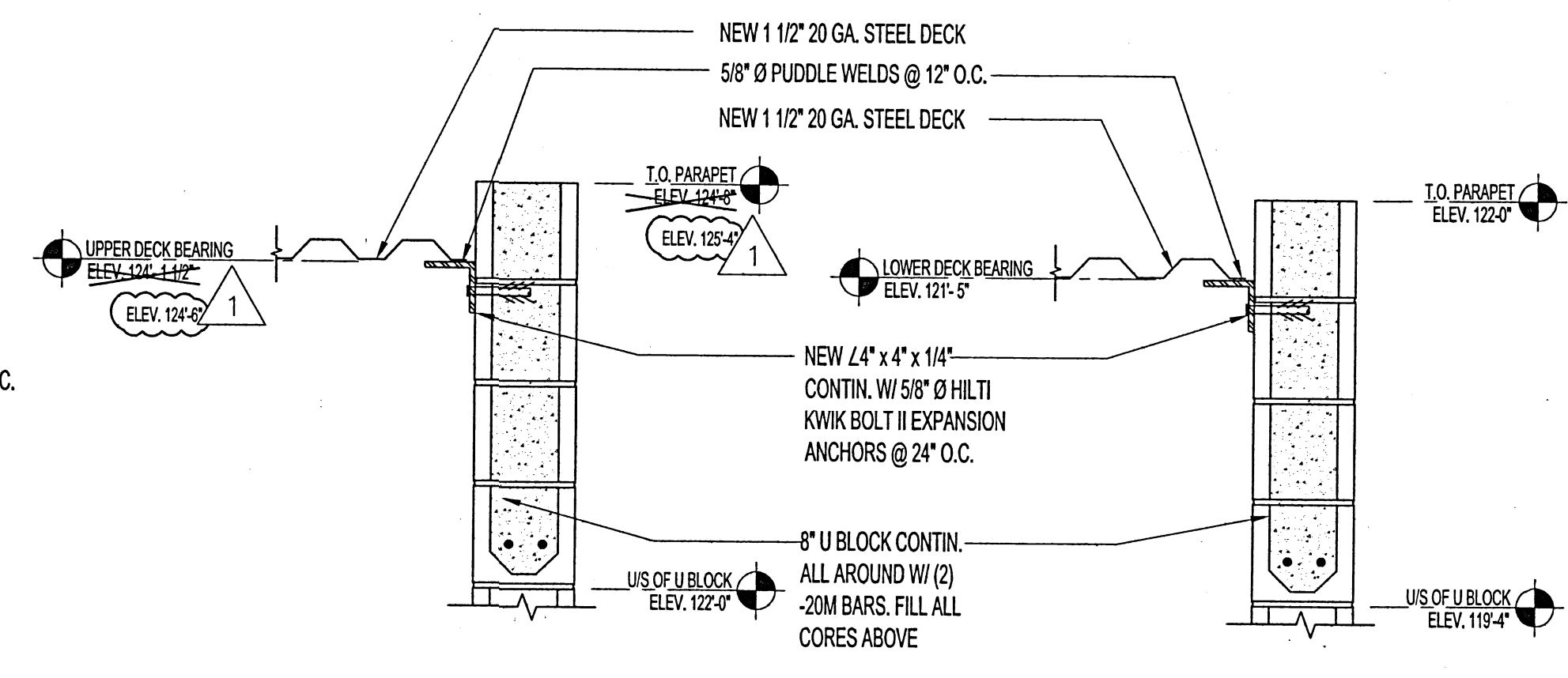
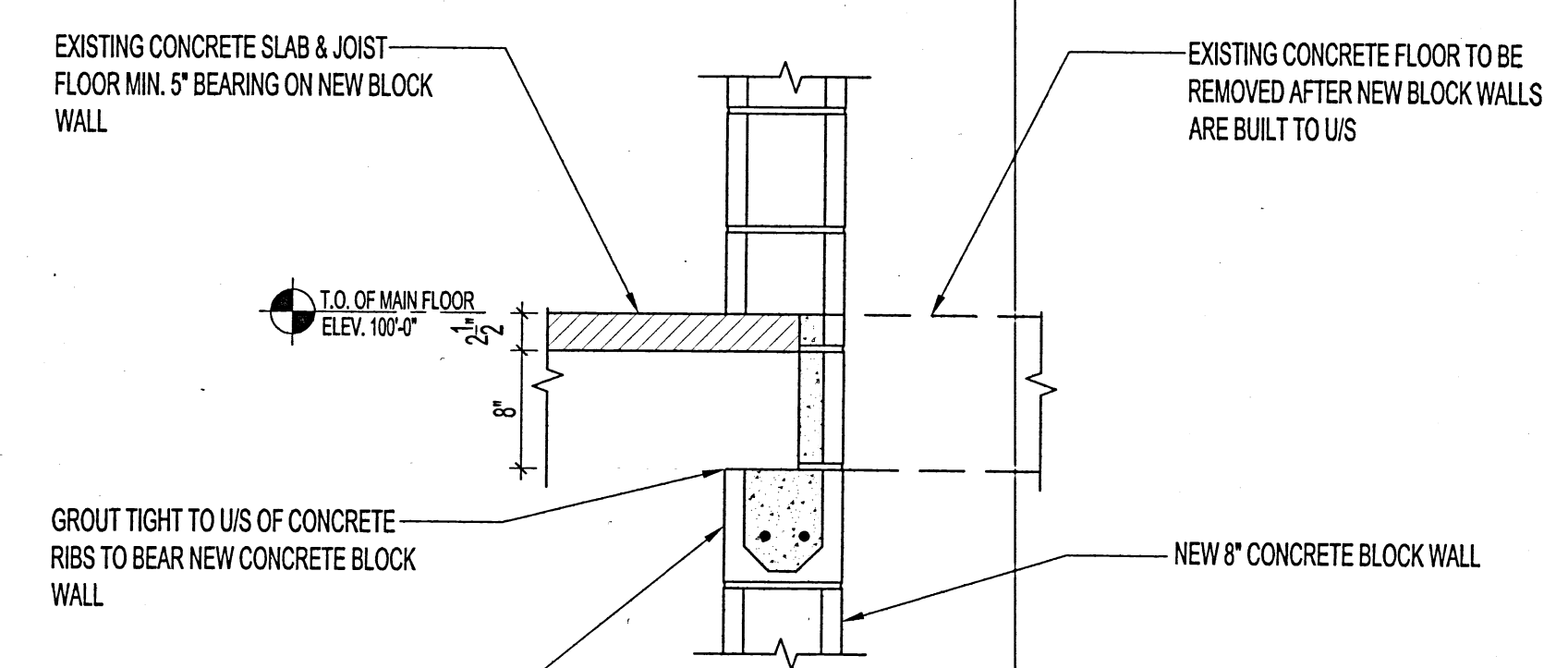


9 SECTION
 S2 | S4 SCALE 1"=1'-0"

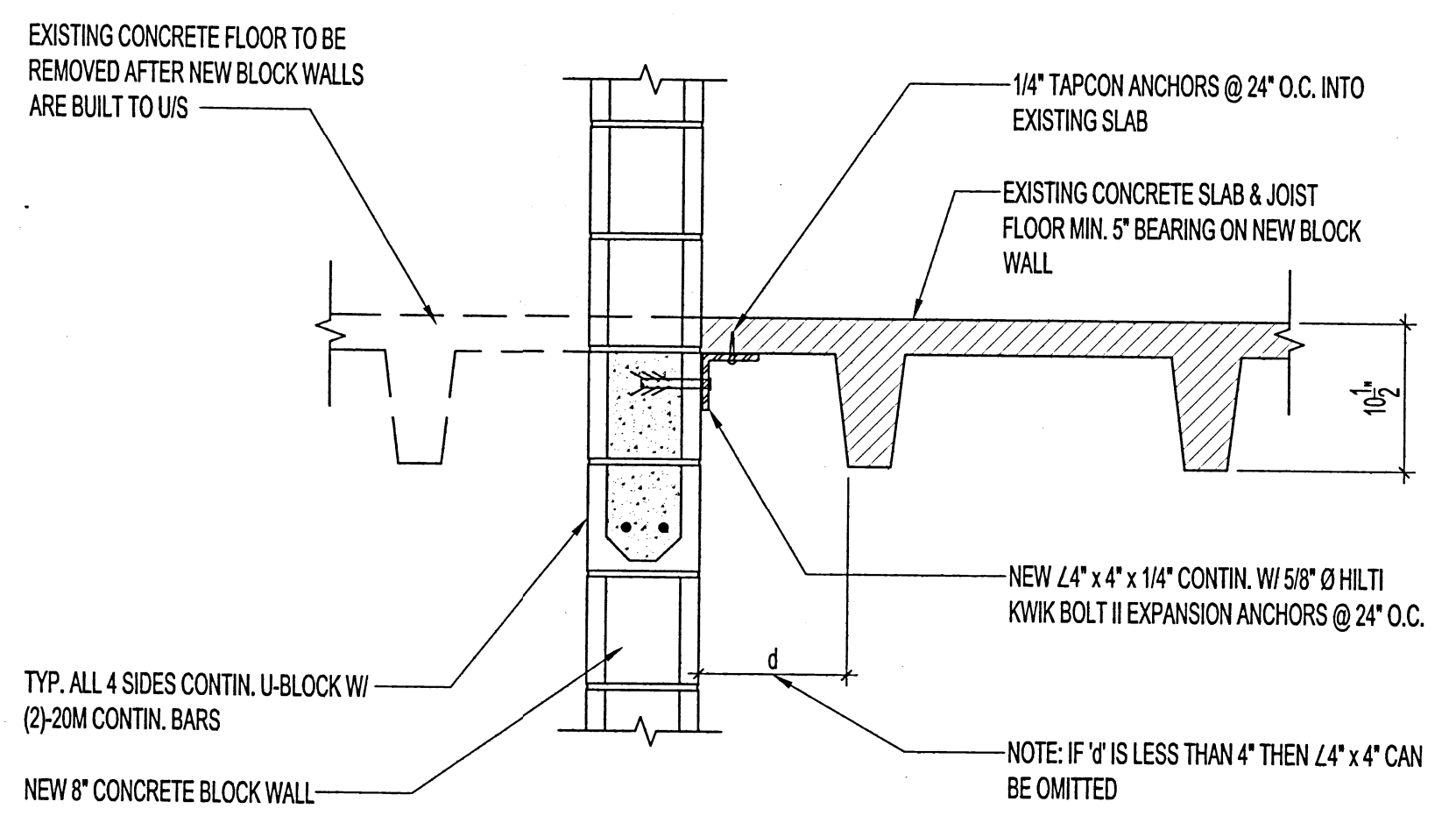


10A SECTION
 S2 | S4 SCALE 1"=1'-0"

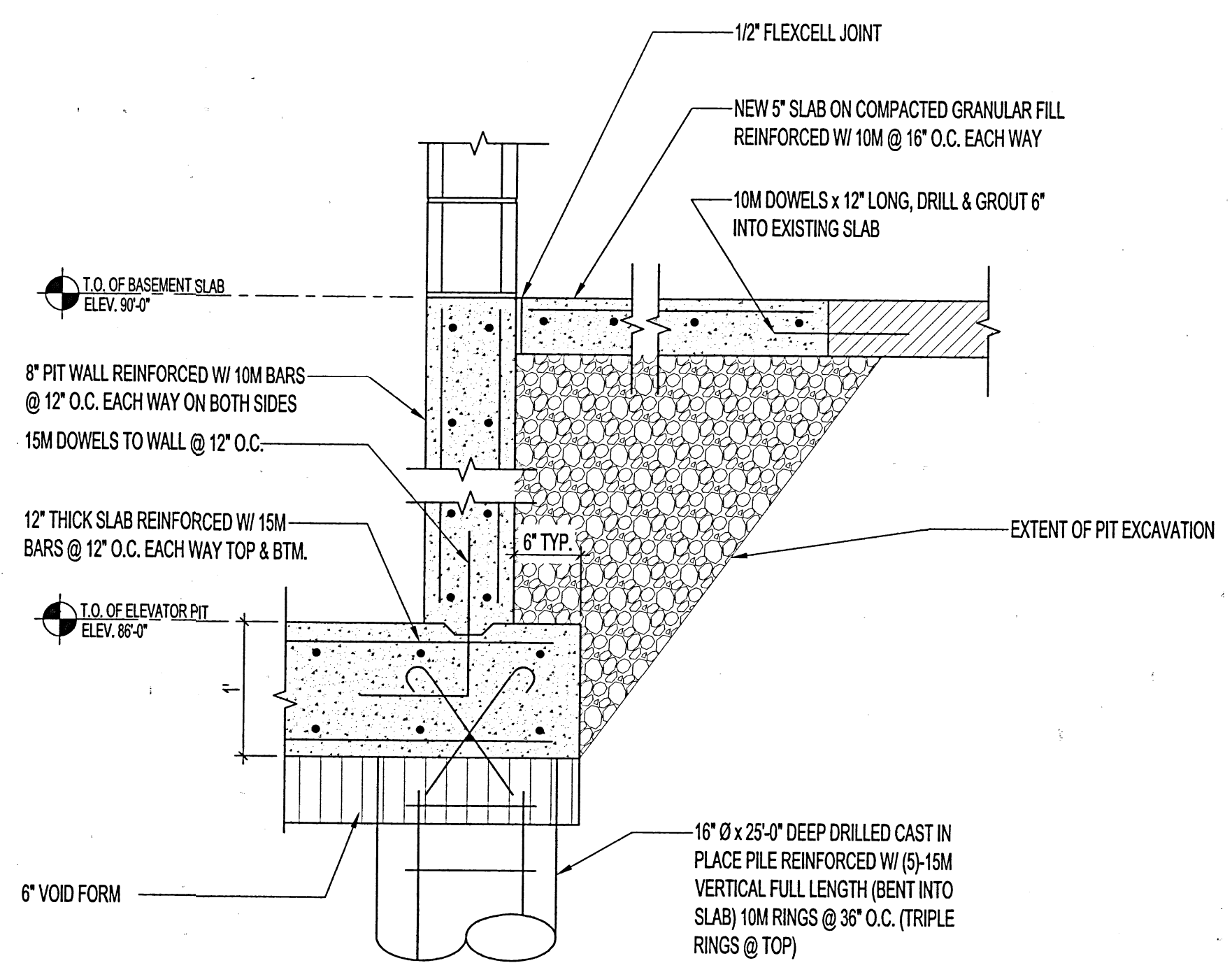
10B SECTION
 S2 | S4 SCALE 1"=1'-0"



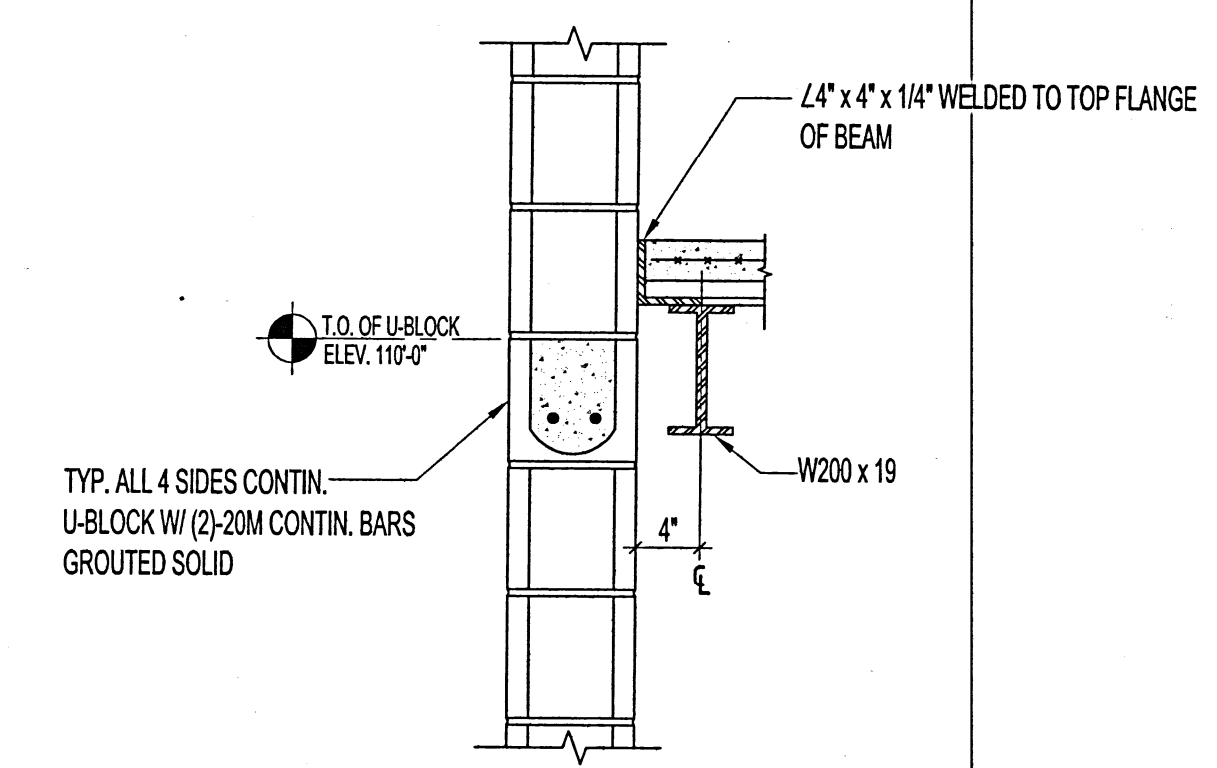
11 SECTION
 S1 | S4 SCALE 1"=1'-0"



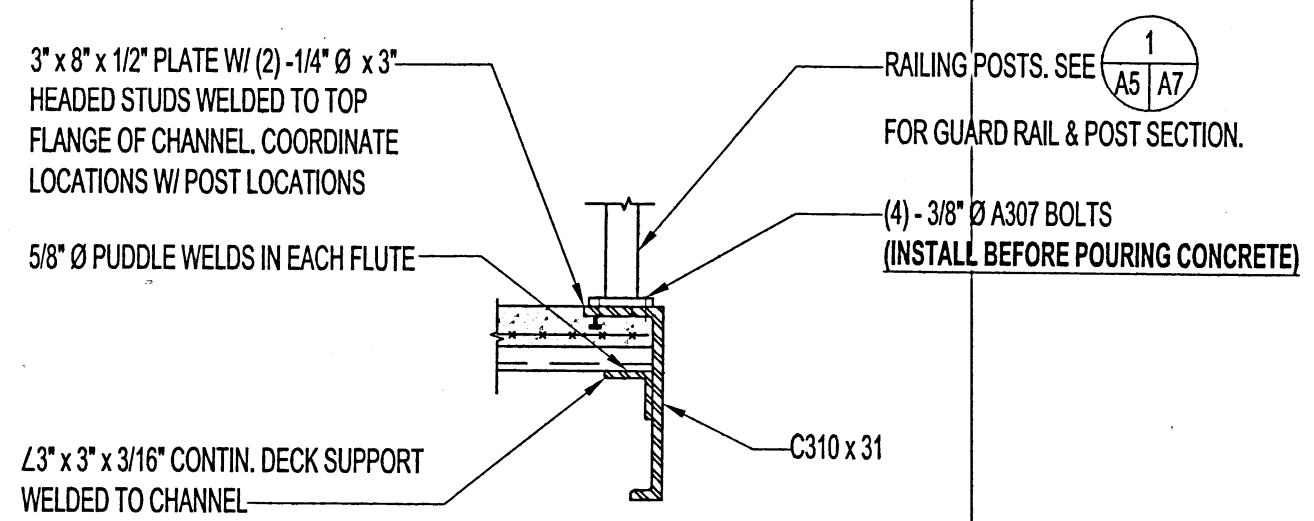
12 SECTION
 S1 | S4 SCALE 1"=1'-0"



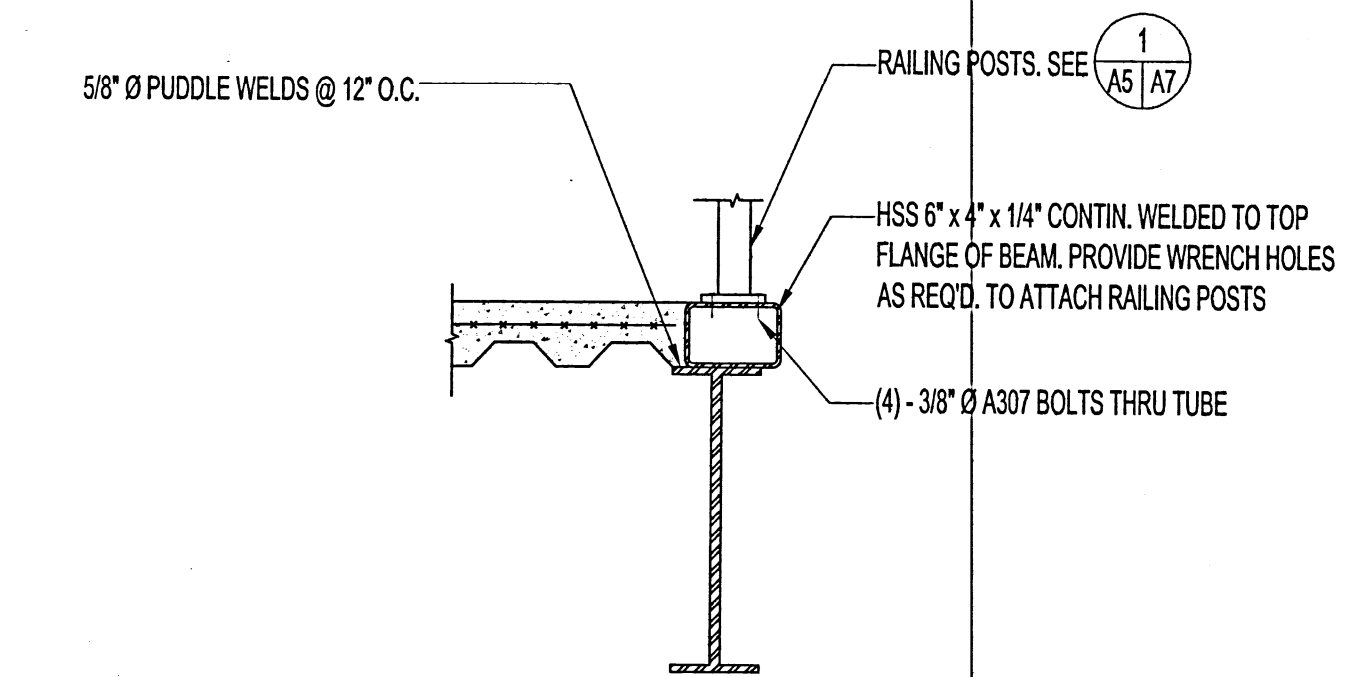
13 SECTION
 S1 | S4 SCALE 1"=1'-0"



14 SECTION
 S2 | S4 SCALE 1"=1'-0"



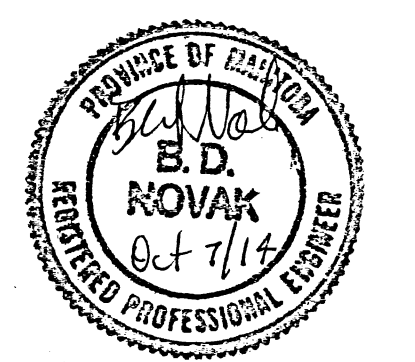
15 SECTION
 S2 | S4 SCALE 1"=1'-0"



16 SECTION
 S2 | S4 SCALE 1"=1'-0"

NOTES:

No.	REVISION/DESCRIPTION	BY	DATE
1	ELEVATOR SHAFT HEIGHTS (ELEVATIONS) REVISED		



DRAWN	CHECKED	DESIGNED	APPROVED
MMK			
DATE: 2014.07.11	USER APPROVAL		

THE CITY OF WINNIPEG
 PLANNING, PROPERTY AND
 DEVELOPMENT DEPARTMENT
 MUNICIPAL ACCOMMODATIONS DIVISION
 3-65 GARRY STREET, R3C 4K4

PROJECT
 ST. VITAL LIBRARY
 NEW ELEVATOR INSTALLATION

6 FERMOR AVENUE
 SHEET TITLE

STRUCTURAL DETAILS

SCALE	PROJECT No:	SHEET No:
AS SHOWN		S4R1