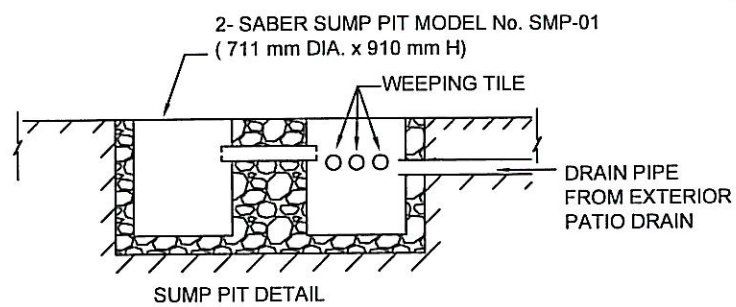


WEeping TILE 100 mm DIA. BIG O. PERFORATED PIPE, WRAPPED IN GEOFABRIC

DISCHARGE LINE

TOP OF DRAIN ELEV. 231.04 m

100 mm DIA. SOLID PIPE CARVE OUT SUBGRADE AS REQUIRED



- LEGEND**
- WEeping TILE (PERFORATED)
 - WEeping TILE (SOLID)
 - ⊙ SP SUMP PIT

- NOTES**
- ALL MEASUREMENTS IN METERS.
 - ALL WEeping TILE PIPES ARE TO BE HAVE MANUFACTURED JOINTS AND ELBOWS.

| NO. | DATE | ISSUE / REVISION |
|-----|-----------|---------------------|
| 0 | Mar.31.14 | Permit/Construction |

ENG-TECH CONSULTING LIMITED
 6 - 854 Marion Street
 Winnipeg, MB R2J 0K4
 Phone: (204) 233-1694
 Fax: (204) 235-1579

ENG. STAMP
 C.D. HRYHORUK
 PROFESSIONAL ENGINEER
APEGM
 Certificate of Authorization
 ENG-TECH Consulting Limited
 No.2475 Expiry: April 30, 2014

CLIENT: CITY OF WINNIPEG

PROJECT: FLOOD PROTECTION DESIGN - 70 MACBELL ROAD, WINNIPEG, MANITOBA

DWG DESCRIPTION: WEeping TILE DRAINAGE LAYOUT

SCALE: AS SHOWN

DRAWN BY: TDR DATE: MARCH 2014

FILE No: 11-217-06 CLIENT DWG/FIG No.:

ENG-TECH DWG/FIG No. 7 REV: 0