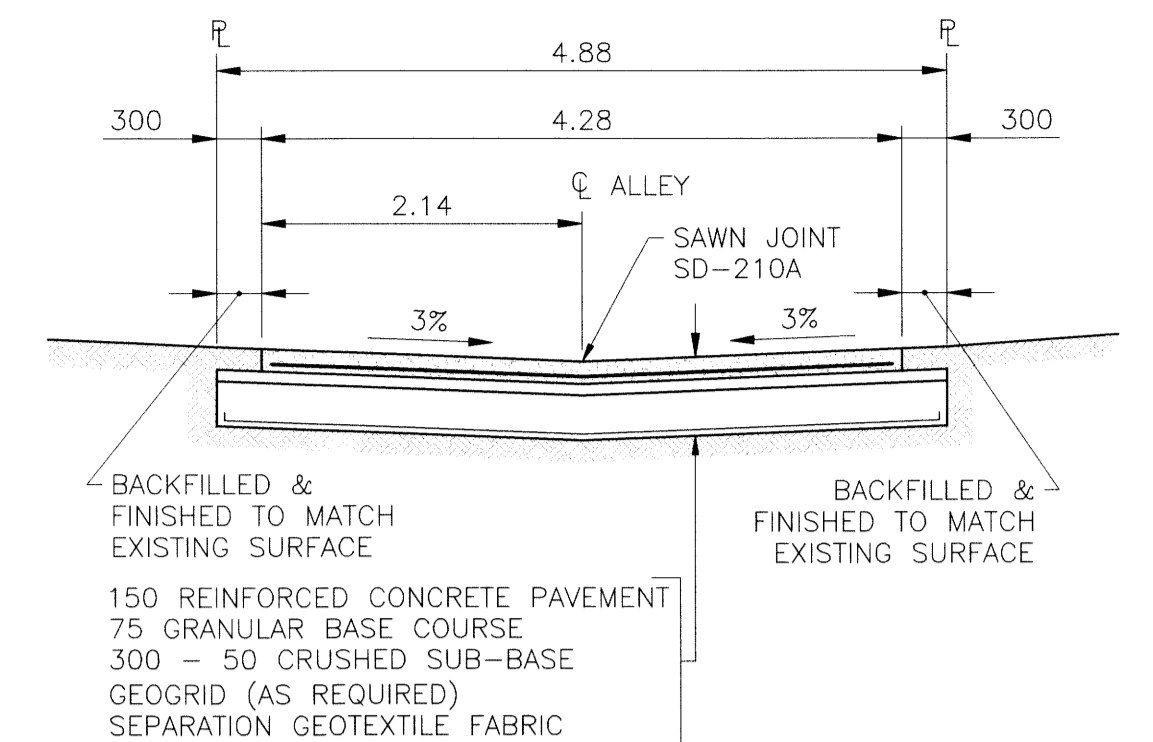


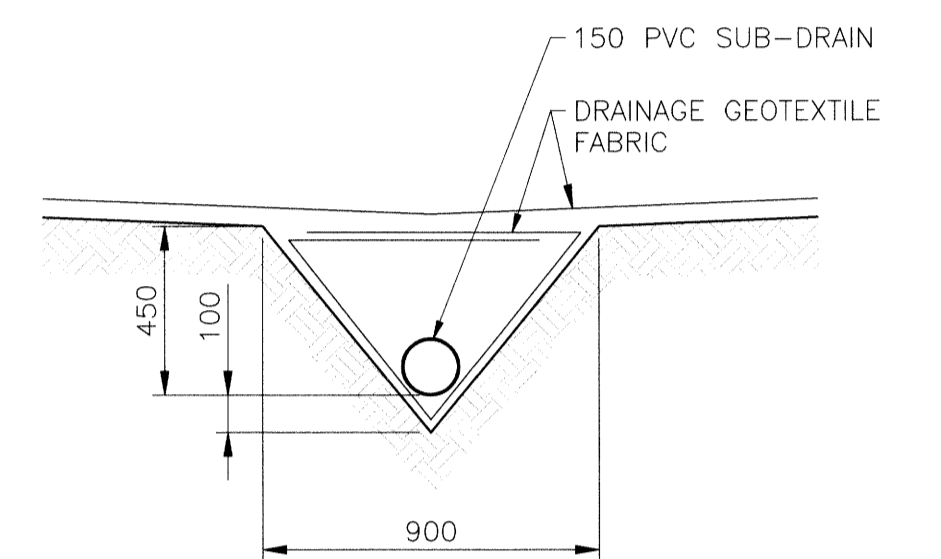
ALLEY PAVEMENT PROFILE

SCALE: 1:250 HOR
1:10 VER



TYPICAL CROSS SECTION

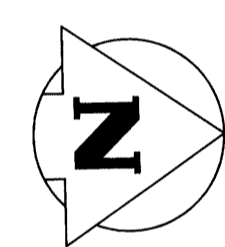
SCALE: 1:50



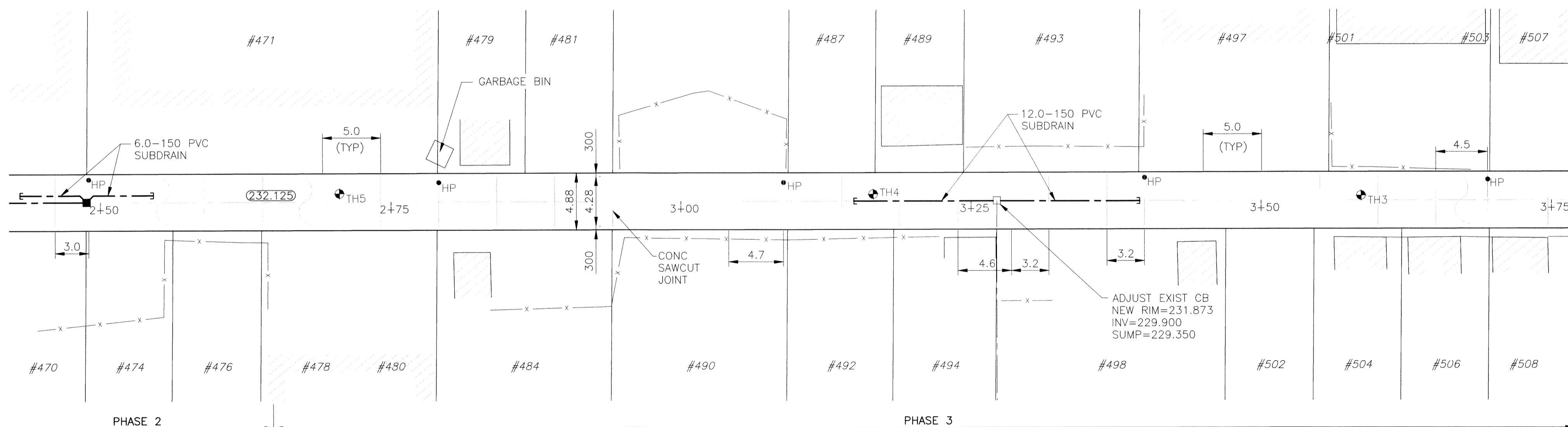
SUB-DRAIN DETAIL

SCALE: 1:20

- NOTES:**
1. STATION CHAINAGE IS BASED ON CENTERLINE OF ALLEY RIGHT OF WAY.
 2. ADJUST MH AND CB RIMS TO NEW GRADES.
 3. PLUG SUB-DRAINS AT TERMINAL ENDS.
 4. REGRADE EXISTING PRIVATE SIDEWALKS AS REQUIRED.
 5. INSTALLATION OF LIP CURBS AND THEIR EXTENTS TO BE DETERMINED BY THE CONTRACT ADMINISTRATOR.
 6. LIGHT STANDARDS, HYDRO POLES AND ANCHORS MAY REQUIRE TEMPORARY SUPPORT/REMOVAL OR REPLACEMENT AT THE CONTRACTOR'S EXPENSE.
 7. ISOLATE ALL POLES, BASES AND PILES WITHIN ALLEY RIGHT OF WAY (SD-228C)
 8. AVOID DAMAGE TO EXISTING TREES WITHIN THE LIMITS OF CONSTRUCTION
 9. CITY OF WINNIPEG SURVEY MONUMENTS EXIST ON THIS SITE. CONTRACTOR TO CONTACT THE CITY OF WINNIPEG GEOMATICS BRANCH 5 WORKING DAYS IN ADVANCE OF CONSTRUCTION TO COORDINATE MONUMENT PROTECTION SERVICES (204-918-1360)
 10. ALLEY TO BE CONSTRUCTED IN PHASES AS SHOWN



YOUNG STREET



ALLEY PAVEMENT PLAN

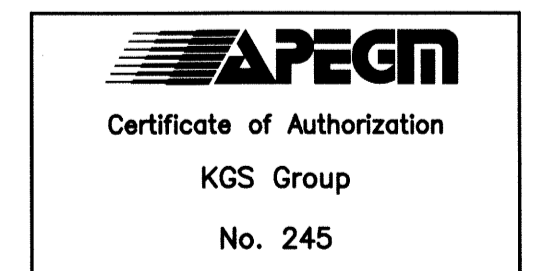
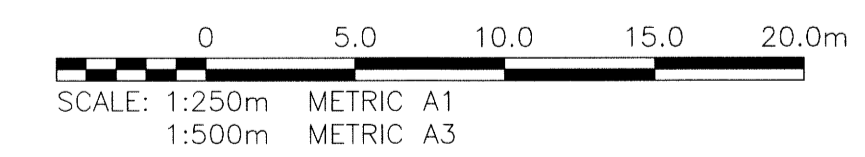
SCALE: 1:250 HOR

METRIC

WHOLE NUMBERS INDICATE MILLIMETRES
DECIMALIZED NUMBERS INDICATE METRES

WARNING
NOTIFY THE GAS COMPANY OF THE PROPOSED LOCATION OF EXCAVATION. TAKE PRECAUTION TO AVOID DAMAGE TO GAS COMPANY INSTALLATIONS. SEE PROVINCIAL REGULATION 210/72 FOR DETAILS.

PROPERTY LIMITS DELINEATION
DELINEATION OF PROPERTY LIMITS AS SHOWN ON THIS DWG DOES NOT REPRESENT A "LEGAL SURVEY". KGS GROUP MAKES NO REPRESENTATION OR WARRANTY AS TO THE ACCURACY OF PROPERTY LIMITS DELINEATED ON THIS DWG, NOR ON THE DIMENSIONAL ACCURACY OF DWG FEATURES RELATIVE TO THOSE PROPERTY LIMITS.



300 IDS 250 WWS 150 WM	LAND DRAINAGE SEWER WASTE WATER SEWER GAS HYDRO M.T.S. WATERMAIN HYDRANT VALVE MANHOLE CATCH BASIN CURB INLET POLES T-MTS H-HYDRO	300 IDS 250 WWS 150 WM	TEST HOLE GUY WIRE LIGHT STANDARD BACK OF CURB CONCRETE ASPHALT SIDEWALK PROPERTY LINE SURVEY BAR GEODETIC BENCHMARK ELEVATION	EXISTING LEGEND-PLAN PROPOSED	EXISTING LEGEND-PLAN PROPOSED	EXISTING LEGEND-PROFILE PROPOSED
------------------------------	---	------------------------------	--	-------------------------------------	-------------------------------------	--

LOCATION APPROVED UNDERGROUND STRUCTURES
SUPV. U/G STRUCTURES COMMITTEE DATE
NOTE: LOCATION OF UNDERGROUND STRUCTURES AS SHOWN ARE BASED ON THE BEST INFORMATION AVAILABLE BUT NO GUARANTEE IS GIVEN THAT ALL EXISTING UTILITIES ARE SHOWN OR THAT THE GIVEN LOCATIONS ARE EXACT. CONFIRMATION OF EXISTENCE AND EXACT LOCATION OF ALL SERVICES MUST BE OBTAINED FROM THE INDIVIDUAL UTILITIES BEFORE PROCEEDING WITH CONSTRUCTION.

B.M. 37-020 ELEV. 232.298	S.E. Cor. Sargent Ave. & Spence St., Tblt. in N. Conc. Foundation No. 486 Sargent Ave. 0.5m E. & 0.1m below brick of N.W. Cor. of Bldg.
1 RE-ISSUED FOR TENDER 14/08/08	CR
0 ISSUED FOR TENDER 14/07/25	CR
NO. REVISIONS	DATE BY

KGS GROUP CONSULTING ENGINEERS	ENGINEER'S SEAL M.C. ROWBOTHAM Member 22679 August 11, 2014
DESIGNED BY RBO	CHECKED BY CR
DRAWN BY GEL/DWM	APPROVED BY
HOR. SCALE: 1:250	RELEASED FOR CONSTRUCTION:
VERTICAL: 1:50	DATE
DATE 14/05/02	DATE

PROJECT TITLE
2014 ALLEY RENEWAL PROGRAM
CONTRACT 2
YOUNG ST/SPENCE ST
ELLICE AVE TO SARGENT AVE
STA 2+50 TO STA 3+75

THE CITY OF WINNIPEG PUBLIC WORKS DEPARTMENT TRANSPORTATION ENGINEERING DIVISION	SHEET OF 16 OF 17
COMPUTER FILE NAME 13-0107-032_CALL	CITY DRAWING NUMBER 0016