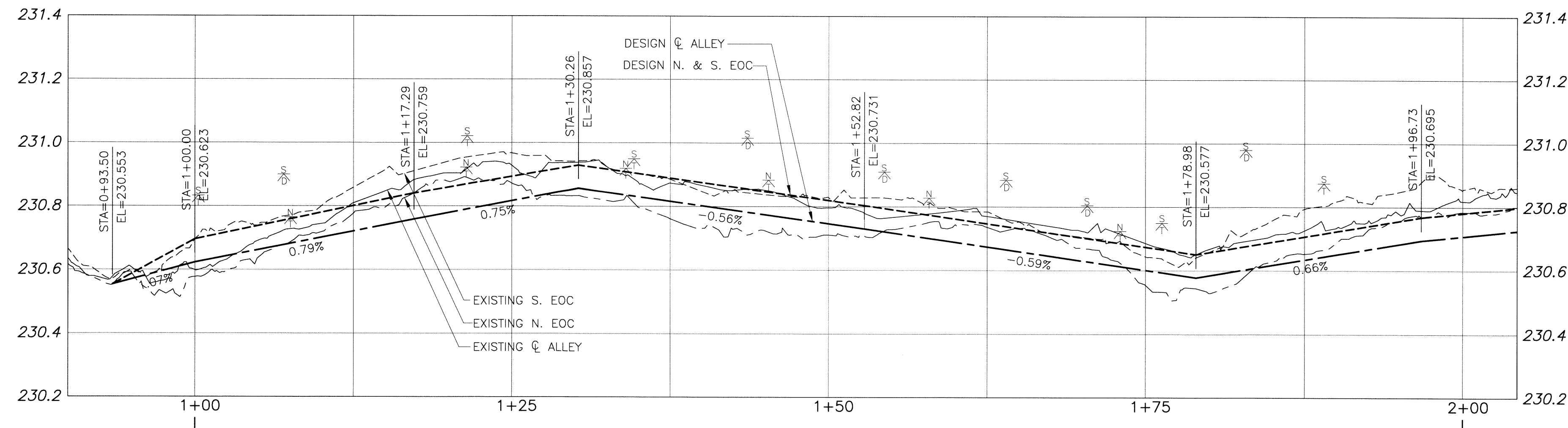
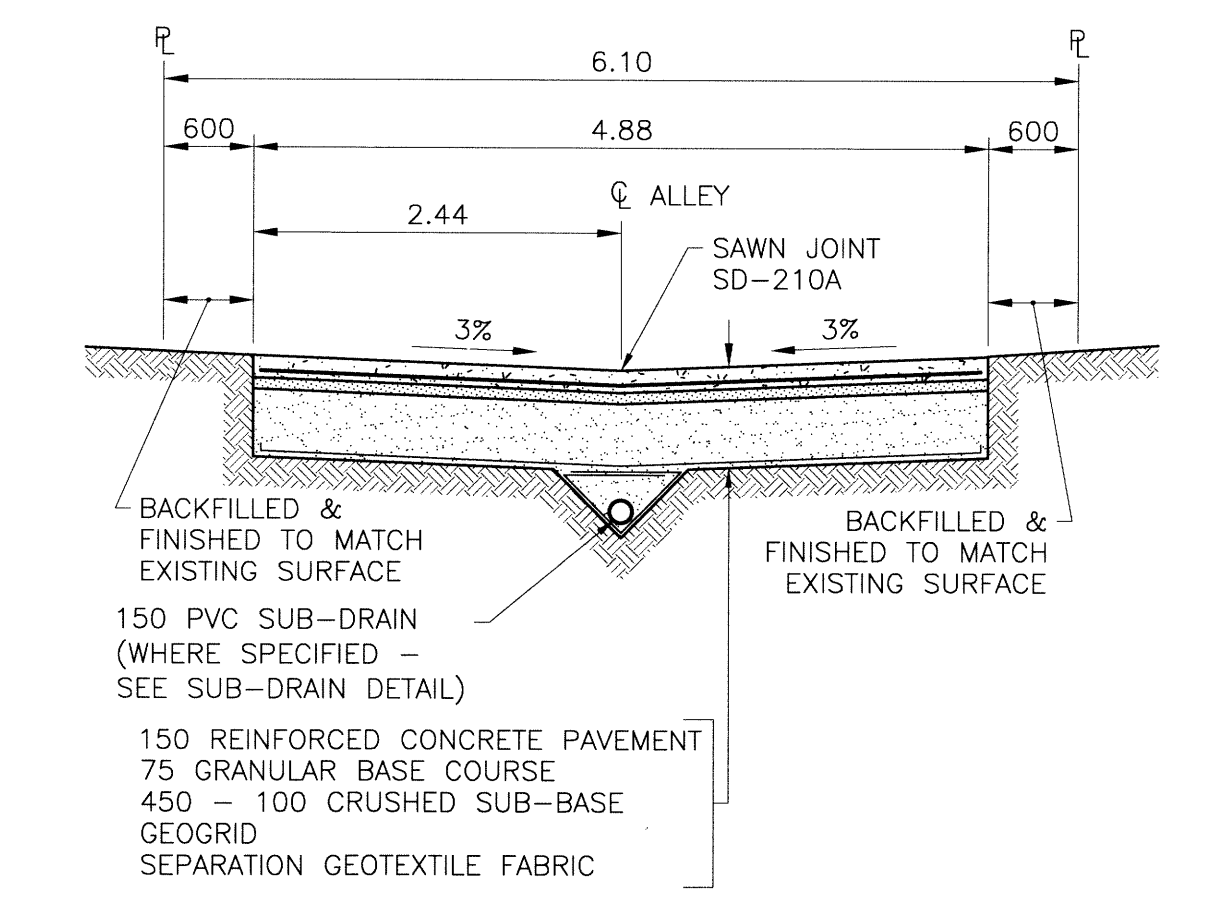


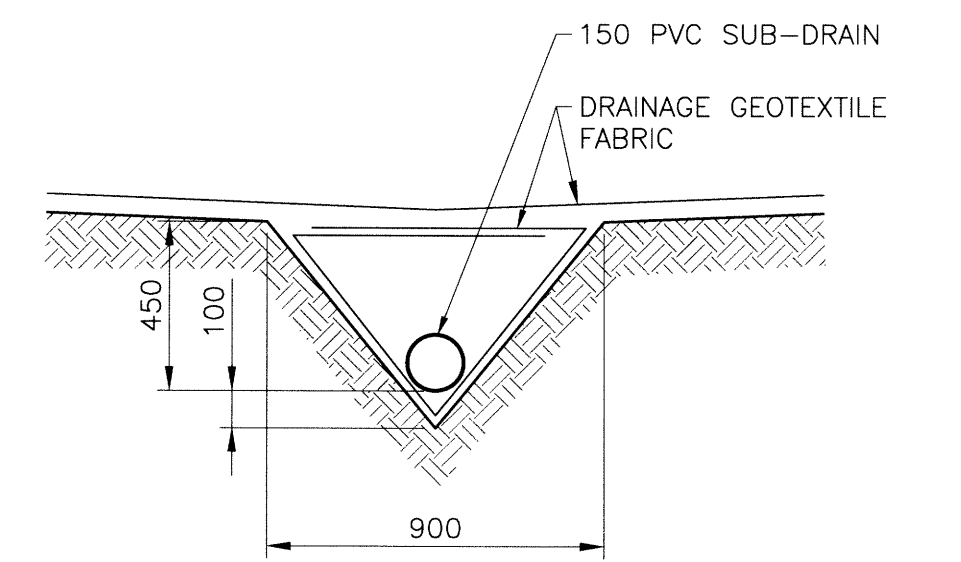
P:\Projects\2013\13-0107-032\Doc\Control\032\Drawings\DWG\748-2014_Drawing_0001-Rev 0.dwg - Tab: C01 Plotted By: DWeber 07/25/2014 [Fri 10:39am]



ALLEY PAVEMENT PROFILE
 SCALE: 1:250 HOR
 1:10 VER

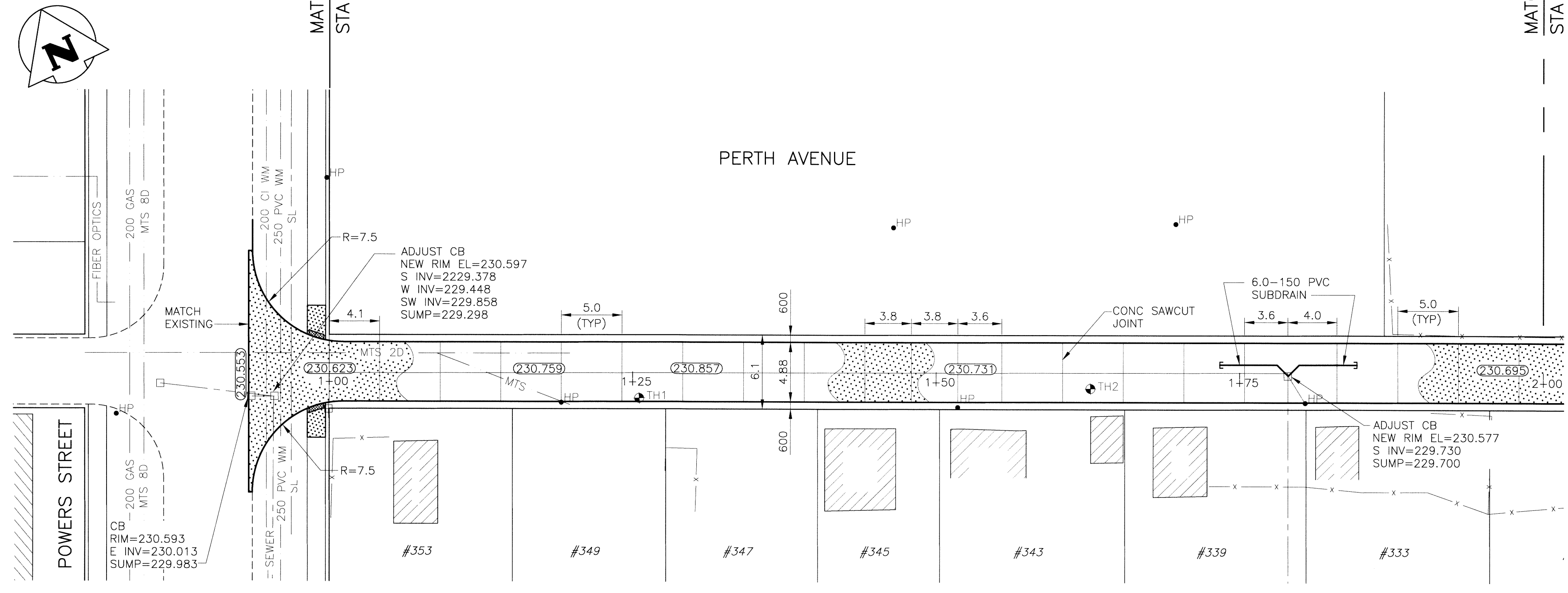


TYPICAL CROSS SECTION
 SCALE: 1:50



SUB-DRAIN DETAIL
 SCALE: 1:20

- NOTES:**
1. STATION CHAINAGE IS BASED ON CENTERLINE OF ALLEY RIGHT OF WAY.
 2. ADJUST MH AND CB RIMS TO NEW GRADES.
 3. PLUG SUB-DRAINS AT TERMINAL ENDS.
 4. REGRADE EXISTING PRIVATE SIDEWALKS AS REQUIRED.
 5. INSTALLATION OF LIP CURBS AND THEIR EXTENTS TO BE DETERMINED BY THE CONTRACT ADMINISTRATOR.
 6. LIGHT STANDARDS, HYDRO POLES AND ANCHORS MAY REQUIRE TEMPORARY SUPPORT/REMOVAL OR REPLACEMENT AT THE CONTRACTOR'S EXPENSE.
 7. ISOLATE ALL POLES, BASES AND PILES WITHIN ALLEY RIGHT OF WAY (SD-228C)
 8. AVOID DAMAGE TO EXISTING TREES WITHIN THE LIMITS OF CONSTRUCTION
 9. CITY OF WINNIPEG SURVEY MONUMENTS EXIST ON THIS SITE. CONTRACTOR TO CONTACT THE CITY OF WINNIPEG GEOMATICS BRANCH 5 WORKING DAYS IN ADVANCE OF CONSTRUCTION TO COORDINATE MONUMENT PROTECTION SERVICES (204-918-1360)

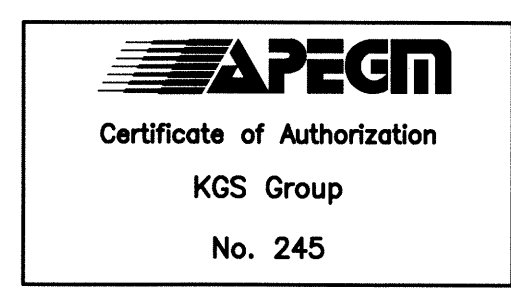
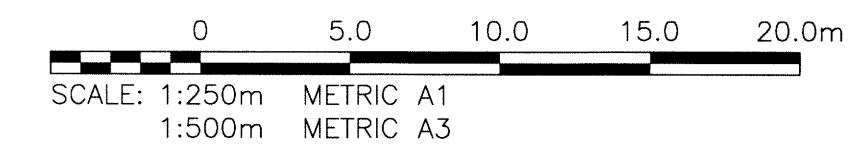


ALLEY PAVEMENT PLAN
 SCALE: 1:250 HOR

WARNING
 NOTIFY THE GAS COMPANY OF THE PROPOSED LOCATION OF EXCAVATION. TAKE PRECAUTION TO AVOID DAMAGE TO GAS COMPANY INSTALLATIONS. SEE PROVINCIAL REGULATION 210/72 FOR DETAILS.

METRIC
 WHOLE NUMBERS INDICATE MILLIMETRES
 DECIMALIZED NUMBERS INDICATE METRES

PROPERTY LIMITS DELINEATION
 DELINEATION OF PROPERTY LIMITS AS SHOWN ON THIS DWG DOES NOT REPRESENT A "LEGAL SURVEY". KGS GROUP MAKES NO REPRESENTATION OR WARRANTY AS TO THE ACCURACY OF PROPERTY LIMITS DELINEATED ON THIS DWG, NOR ON THE DIMENSIONAL ACCURACY OF DWG FEATURES RELATIVE TO THOSE PROPERTY LIMITS.



EXISTING	LEGEND-PLAN	PROPOSED	EXISTING	LEGEND-PLAN	PROPOSED
300 LBS	LAND DRAINAGE SEWER	300 LBS	TEST HOLE		
250 WWS	WASTE WATER SEWER	250 WWS	GUY WIRE		
	GAS		LIGHT STANDARD		
	HYDRO		BACK OF CURB		
	M.T.S.		CONCRETE		
150 WM	WATERMAIN	150 WM	ASPHALT		
	HYDRANT		SIDEWALK		
	VALVE		PROPERTY LINE		
	MANHOLE		SURVEY BAR		
	CATCH BASIN		GEODETIC BENCHMARK		
	CURB INLET		ELEVATION	(32.231)	
	POLES				
	LEGEND-PLAN				

LOCATION APPROVED UNDERGROUND STRUCTURES

SUPV. U/G STRUCTURES COMMITTEE DATE

NOTE:
 LOCATION OF UNDERGROUND STRUCTURES AS SHOWN ARE BASED ON THE BEST INFORMATION AVAILABLE BUT NO GUARANTEE IS GIVEN THAT ALL EXISTING UTILITIES ARE SHOWN OR THAT THE GIVEN LOCATIONS ARE EXACT. CONFIRMATION OF EXISTENCE AND EXACT LOCATION OF ALL SERVICES MUST BE OBTAINED FROM THE INDIVIDUAL UTILITIES BEFORE PROCEEDING WITH CONSTRUCTION.

NO.	REVISIONS	DATE	BY
0	ISSUED FOR TENDER	14/07/25	CR

DESIGNED BY	RBO	CHECKED BY	[Signature]
DRAWN BY	GEL	APPROVED BY	[Signature]
HOR. SCALE:	1:250	RELEASED FOR CONSTRUCTION:	
VERTICAL:	1:50	DATE	14/05/02

KGS GROUP CONSULTING ENGINEERS

ENGINEER'S SEAL
 M.C. ROWBOTHAM
 M.Eng.
 22879
 JULY 25, 2014

THE CITY OF WINNIPEG PUBLIC WORKS DEPARTMENT TRANSPORTATION ENGINEERING DIVISION

PROJECT TITLE: **2014 ALLEY RENEWAL PROGRAM CONTRACT 2**

JEFFERSON AVE/PERTH AVE
 POWERS ST TO SALTER ST
 POWERS ST TO STA 2+00

SHEET 01 OF 17
 COMPUTER FILE NAME: 13-0107-032_CALL
 CITY DRAWING NUMBER: 0001