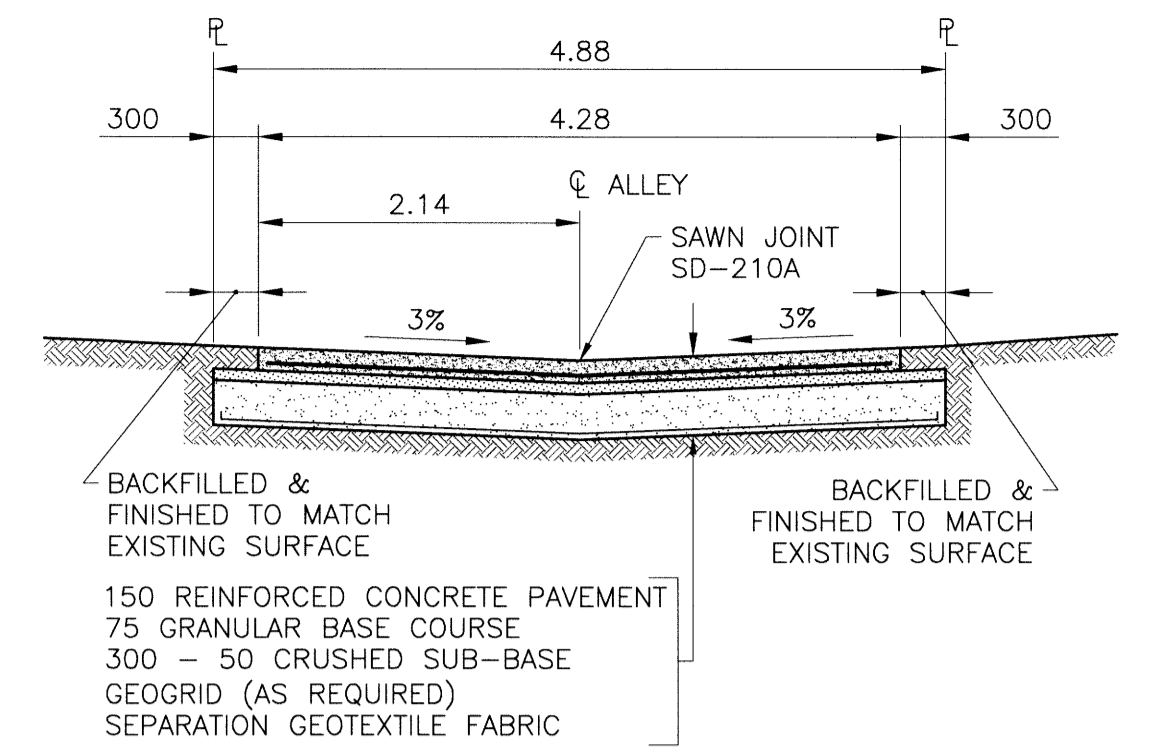


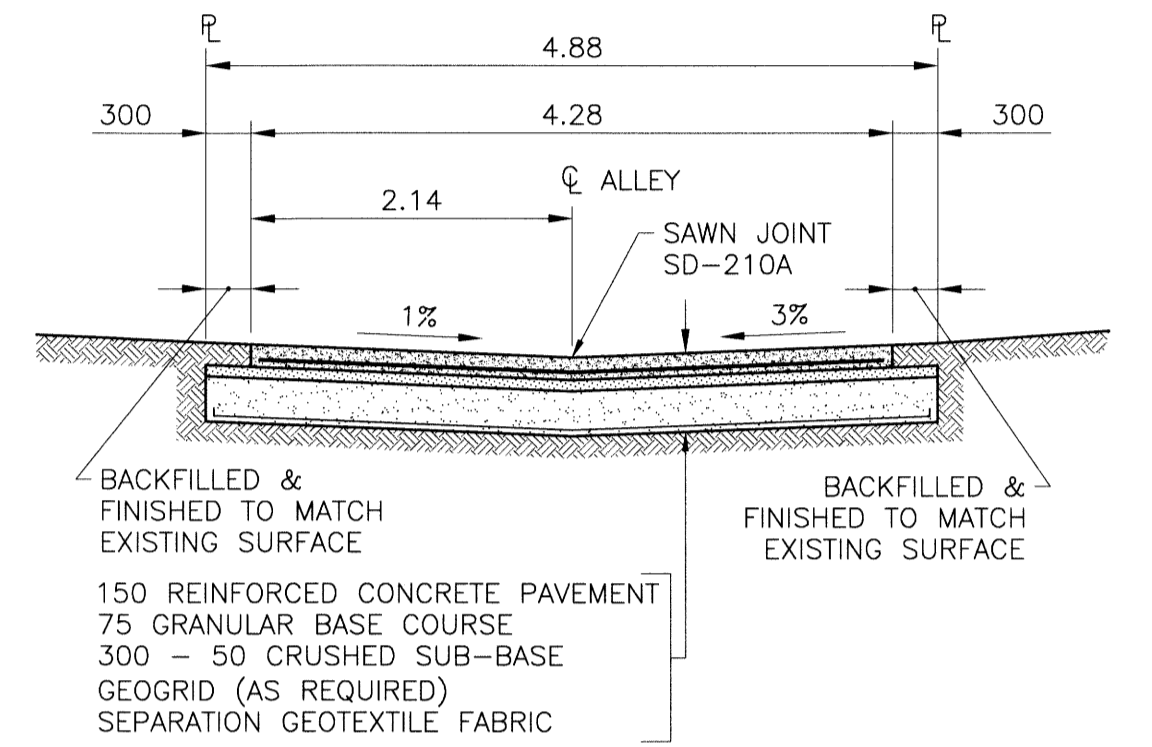
ALLEY PAVEMENT PROFILE

SCALE: 1:250 HOR
1:10 VER



TYPICAL CROSS SECTION

SCALE: 1:50



CROSS SECTION

STA 1+18.0 TO STA 1+27.0

SCALE: 1:50

NOTES:

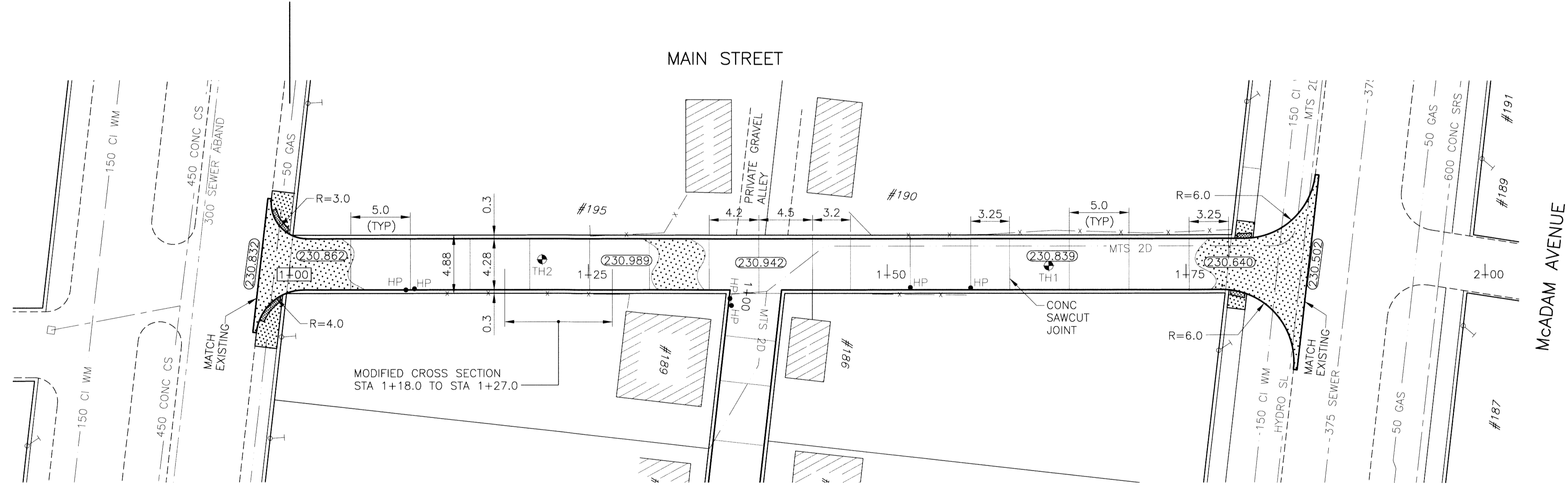
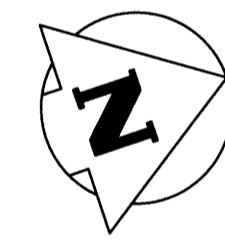
1. STATION CHAINAGE IS BASED ON CENTERLINE OF ALLEY RIGHT OF WAY.
2. ADJUST MH AND CB RIMS TO NEW GRADES.
3. PLUG SUB-DRAINS AT TERMINAL ENDS.
4. REGRADE EXISTING PRIVATE SIDEWALKS AS REQUIRED.
5. INSTALLATION OF LIP CURBS AND THEIR EXTENTS TO BE DETERMINED BY THE CONTRACT ADMINISTRATOR.
6. LIGHT STANDARDS, HYDRO POLES AND ANCHORS MAY REQUIRE TEMPORARY SUPPORT/REMOVAL OR REPLACEMENT AT THE CONTRACTOR'S EXPENSE.
7. ISOLATE ALL POLES, BASES AND PILES WITHIN ALLEY RIGHT OF WAY (SD-228C)
8. AVOID DAMAGE TO EXISTING TREES WITHIN THE LIMITS OF CONSTRUCTION
9. CITY OF WINNIPEG SURVEY MONUMENTS EXIST ON THIS SITE. CONTRACTOR TO CONTACT THE CITY OF WINNIPEG GEOMATICS BRANCH 5 WORKING DAYS IN ADVANCE OF CONSTRUCTION TO COORDINATE MONUMENT PROTECTION SERVICES (204-918-1360)

METRIC

WHOLE NUMBERS INDICATE MILLIMETRES
DECIMALIZED NUMBERS INDICATE METRES

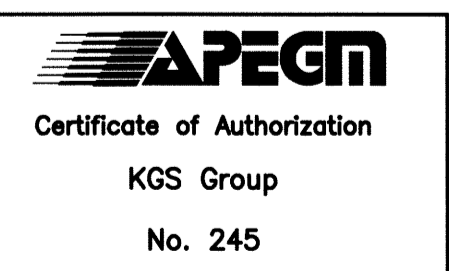
PROPERTY LIMITS DELINEATION

DELINEATION OF PROPERTY LIMITS AS SHOWN ON THIS DWG DOES NOT REPRESENT A "LEGAL SURVEY". KGS GROUP MAKES NO REPRESENTATION OR WARRANTY AS TO THE ACCURACY OF PROPERTY LIMITS DELINEATED ON THIS DWG, NOR ON THE DIMENSIONAL ACCURACY OF DWG FEATURES RELATIVE TO THOSE PROPERTY LIMITS.



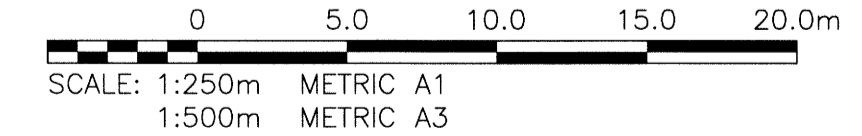
ALLEY PAVEMENT PLAN

SCALE: 1:250 HOR



WARNING

NOTIFY THE GAS COMPANY OF THE PROPOSED LOCATION OF EXCAVATION. TAKE PRECAUTION TO AVOID DAMAGE TO GAS COMPANY INSTALLATIONS. SEE PROVINCIAL REGULATION 210/72 FOR DETAILS.



EXISTING	LEGEND-PLAN	PROPOSED	EXISTING	LEGEND-PLAN	PROPOSED
300 IDS	LAND DRAINAGE SEWER	300 IDS	TEST HOLE		
250 WWS	WASTE WATER SEWER	250 WWS	GUY WIRE		
	GAS		LIGHT STANDARD		
	HYDRO		BACK OF CURB		
	M.T.S.		CONCRETE		
150 WM	WATERMAIN	150 WM	ASPHALT		
⊕	HYDRANT	⊕	SIDEWALK		
⊗	VALVE	⊗	PROPERTY LINE		
○	MANHOLE	○	SURVEY BAR		
□	CATCH BASIN	□	GEODETIC BENCHMARK		
▽	CURB INLET	▽	ELEVATION	(32.231)	TTTTT
•	POLES T-MTS H-HYDRO	•			

LOCATION APPROVED UNDERGROUND STRUCTURES

SUPV. U/C STRUCTURES COMMITTEE DATE

NOTE:
LOCATION OF UNDERGROUND STRUCTURES AS SHOWN ARE BASED ON THE BEST INFORMATION AVAILABLE BUT NO GUARANTEE IS GIVEN THAT ALL EXISTING UTILITIES ARE SHOWN OR THAT THE GIVEN LOCATIONS ARE EXACT. CONFIRMATION OF EXISTENCE AND EXACT LOCATION OF ALL SERVICES MUST BE OBTAINED FROM THE INDIVIDUAL UTILITIES BEFORE PROCEEDING WITH CONSTRUCTION.

NO.	REVISIONS	DATE	BY
0	ISSUED FOR TENDER	14/07/25	CR

DESIGNED BY	RBO	CHECKED BY	[Signature]
DRAWN BY	GEL/DMW	APPROVED BY	[Signature]
HOR. SCALE:	1:250	RELEASED FOR CONSTRUCTION:	
VERTICAL:	1:50	DATE	14/05/02

ENGINEER'S SEAL

CONSULTANT DRAWING NO.
13-0107-032_C03

THE CITY OF WINNIPEG
PUBLIC WORKS DEPARTMENT
TRANSPORTATION ENGINEERING DIVISION

PROJECT TITLE
2014 ALLEY RENEWAL PROGRAM
CONTRACT 2
MAIN ST EAST
MATHESON AVE E TO McADAM AVE

SHEET OF
03 OF **17**

COMPUTER FILE NAME
13-0107-032_CALL

CITY DRAWING NUMBER
0003

P:\Projects\2013\13-0107-032\Doc Control\03\Revised\DWG\748-2014_Drawing_0303-Rev 0.dwg - Tab: C03 Plotted By: DWeber 07/25/2014 [Fri 10:04am] PLOT 1:1 A-1