

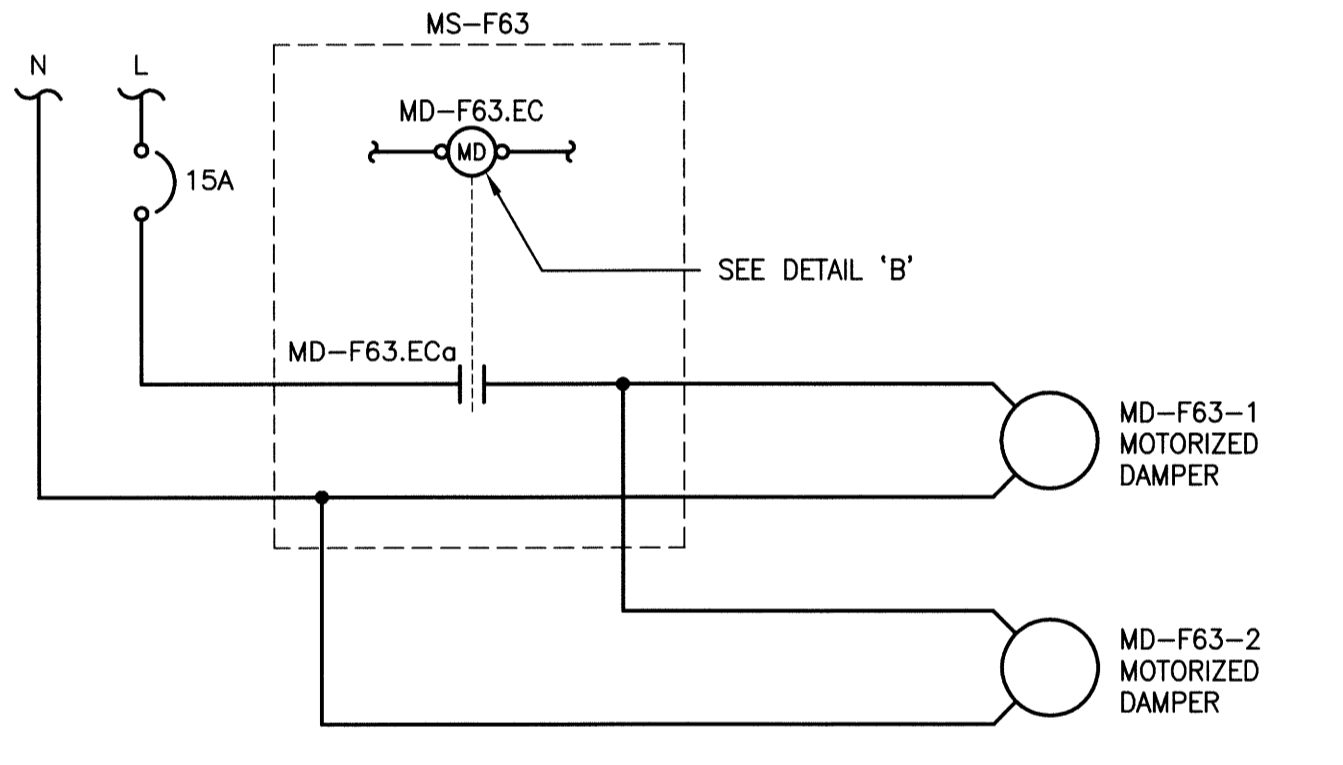
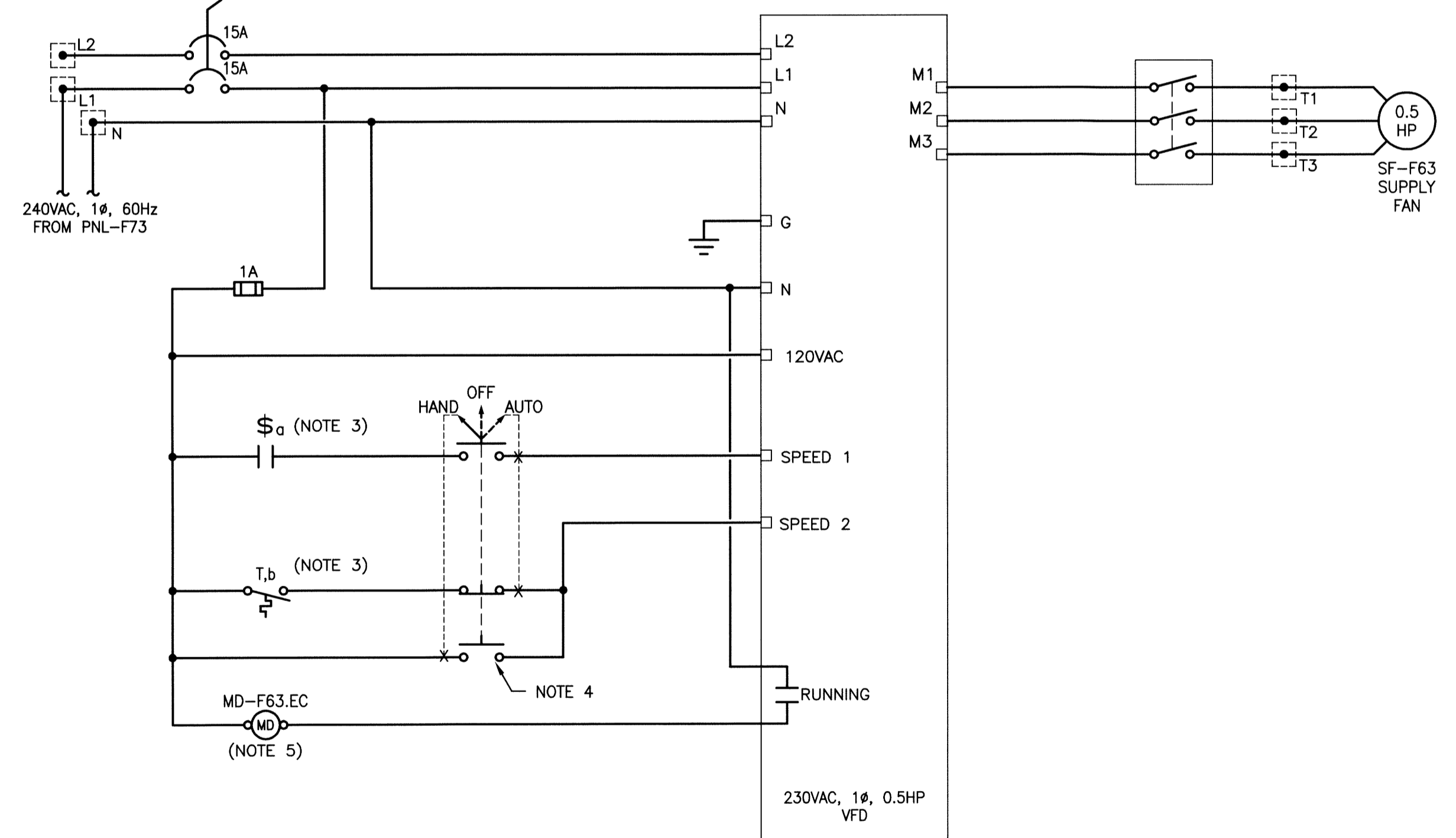
SUPPLY: 240V 1Ø 3W MAINS AMPACITY: 125 INCOMING: <input checked="" type="checkbox"/> BREAKER <input type="checkbox"/> LUGS MAIN BREAKER REQUIRED: <input checked="" type="checkbox"/> YES <input type="checkbox"/> NO MAIN BREAKER AMPS: 100 BUS MATERIAL: <input checked="" type="checkbox"/> COPPER <input type="checkbox"/> ALUMINUM BUS AND BREAKER RATING: 35kA		NAME PLATE: PANEL ' PNL-F73 '		LOCATION: MAIN ELECTRICAL ROOM MOUNTING: <input checked="" type="checkbox"/> SURFACE <input type="checkbox"/> FLUSH MANUFACTURER: MODEL NO: BREAKER: <input type="checkbox"/> PLUG-IN <input checked="" type="checkbox"/> BOLT-ON SPD: <input type="checkbox"/> YES <input checked="" type="checkbox"/> NO SERVICE ENTRANCE RATED: <input type="checkbox"/> YES <input checked="" type="checkbox"/> NO			
REV	DATE	BY	DESCRIPTION	REV	DATE	BY	DESCRIPTION
1			MAIN FLOOR LIGHTS	2			4800 W HEATER
3			BLOWER	4			ALARM PANEL
5			SUMP PUMP	6			RECEPTACLE BELOW PANEL
7			LOWER LIGHTS	8			RECEPTACLE DRY WELL
9			LIGHT IN OLD COM CHAMBER	10			SPARE
11			SF-F63	12			
13			SF-F63	14			
15			SF-F64	16			
17			MS-F63	18			
19				20			
21				22			
23				24			

TYPE	DESCRIPTION	VOLTAGE	LAMPS	APPROVED MANUFACTURERS
A	CHAIN SUSPENDED LED INDUSTRIAL LUMINAIRE c/w DIFFUSER	120V	42W LED 4000°K	LITHONIA LIGHTING: ZL2N L48 3000LM MDD MVOLT 40K 80CRI SKGY

- NOTES:**
- LAMACOID LABEL. LABEL SHOWS THE FINAL CABLE DIMENSION BETWEEN THE BLIND FLANGE AND THE TRANSDUCER. LAMACOID PERMANENTLY FASTENED TO THE BLIND FLANGE.
 - PROVIDE VERIS HAWKEYE 300 CURRENT SENSING RELAY OR APPROVED EQUIVALENT.
 - CONTACT \$₀ IS AN OCCUPANCY SENSOR CONTACT. CONTACT T_b IS A N/O THERMOSTAT CONTACT. REFER TO DRAWING 1-115F-E0004-001 (A-E03) FOR DEVICE LOCATIONS & DETAILS.
 - HAND-OFF-AUTO SWITCH TO BE MOUNTED ON THE FRONT OF MS-F63'S ENCLOSURE.
 - SUPPLY RELAY WITH 120VAC COIL, 1 N/O CONTACT FOR MOTORIZED DAMPERS.
 - WET WELL AREA IS CONSIDERED CLASS1, DIV. 2 ZONE.

A ULTRASONIC TRANSDUCER DETAIL

SCALE: N.T.S.

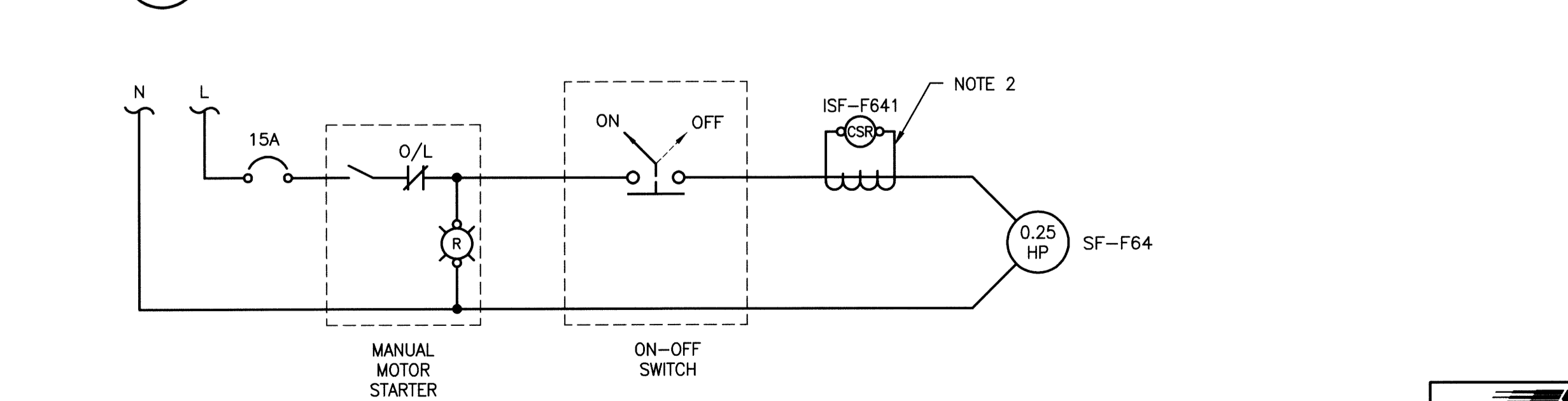


D MOTORIZED DAMPER CONTROL CIRCUITS

SCALE: N.T.S.

B SUPPLY FAN SF-F63 CONTROL SCHEMATIC

SCALE: N.T.S.



C SUPPLY FAN SF-F64 STARTER CIRCUIT

SCALE: N.T.S.



DESIGNED BY	DDW/MAM	CHECKED BY	AP
DRAWN BY	GCN	APPROVED BY	AP
HOR. SCALE	N.T.S.	RELEASED FOR CONSTRUCTION	
VERTICAL	N.T.S.		
DATE	2014.01.13	DATE	



THE CITY OF WINNIPEG
 WATER AND WASTE DEPARTMENT

FLOOD PUMPING STATION UPGRADES
 ASSINIBOINE STATION
ELECTRICAL
 DETAILS AND SCHEDULES

SHEET 1 OF 1
 CITY DRAWING NUMBER
 1-0115F-E0006-001