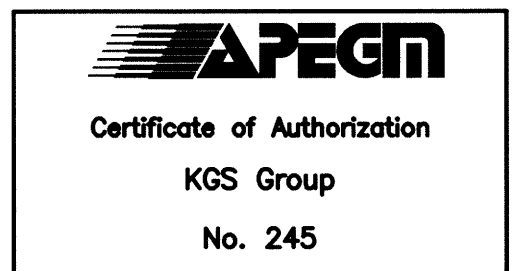
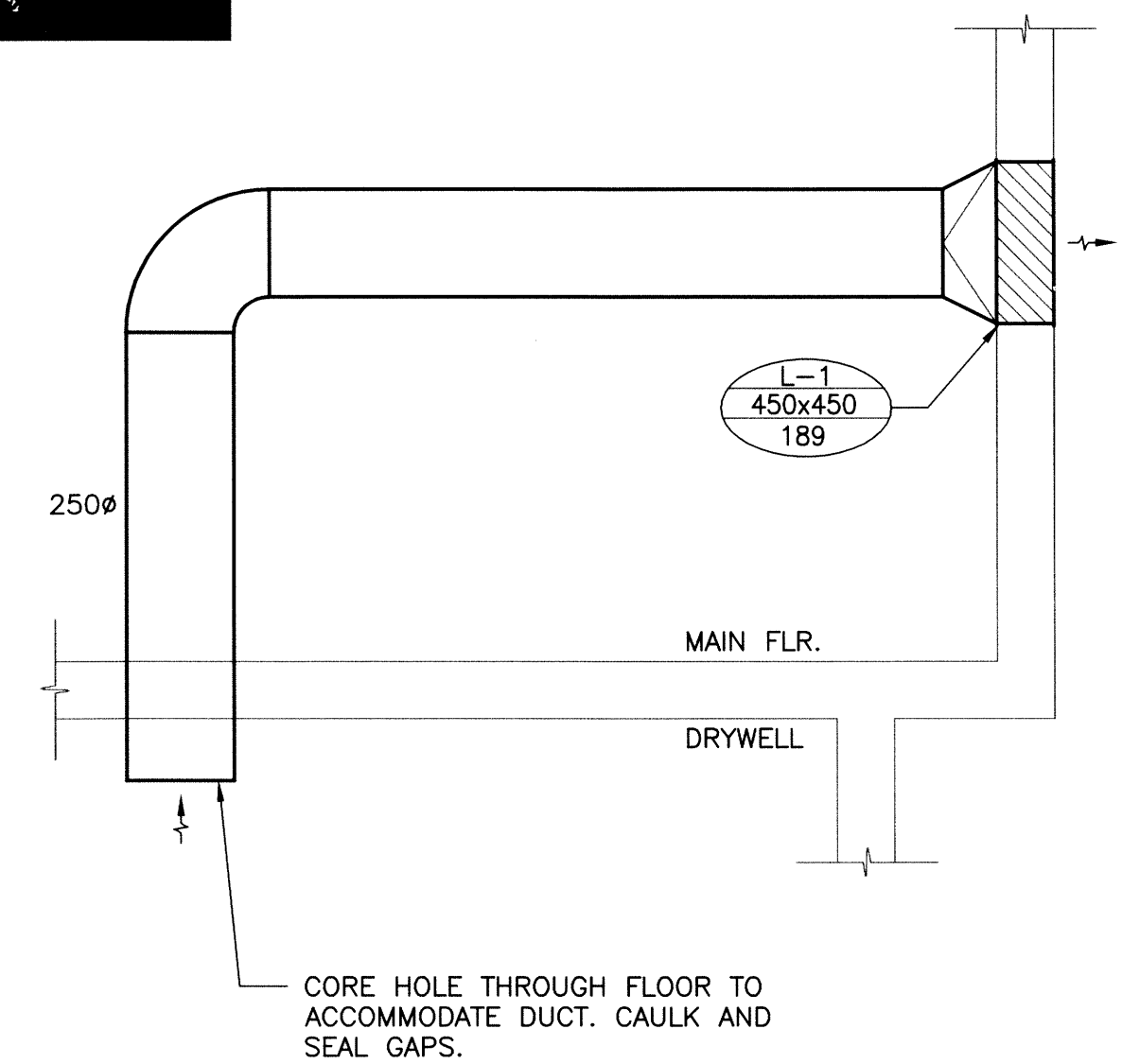
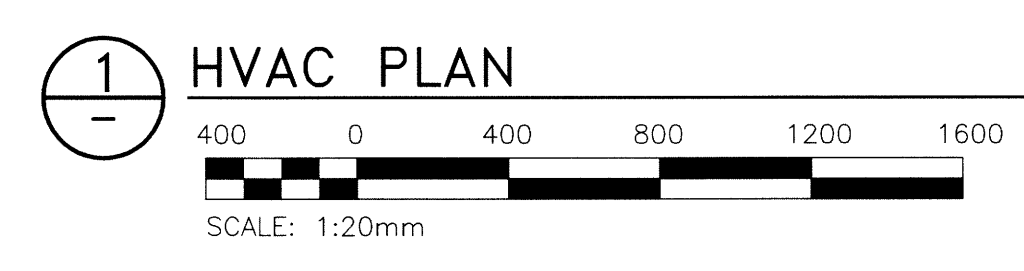


- GENERAL NOTES:**
- EQUIPMENT LOCATIONS AND DUCT, ROUTING INDICATED ON THE DRAWINGS IS APPROXIMATE ONLY. CONFIRM IN THE FIELD. REROUTE DUCTWORK AS REQUIRED TO ELIMINATE FIELD INTERFERENCES WITH BUILDING STRUCTURES, ELECTRICAL, ETC. CONFIRM CHANGES WITH CONSULTANT. COORDINATE WORK WITH ALL SUBTRADES. WHERE DIMENSIONS ARE INDICATED FOR DUCTWORK, DUCT SIZES, EQUIPMENT SIZES, ETC. THESE ARE FOR BIDDING PURPOSES ONLY. THE CONTRACTOR IS RESPONSIBLE TO VERIFY ALL DIMENSIONS IN THE FIELD PRIOR TO ORDERING EQUIPMENT AND COMMENCING INSTALLATION WITHOUT EXTRA CHARGES TO THE PROJECT. THE CONTRACTOR IS RESPONSIBLE TO ENSURE ALL EQUIPMENT AND DUCTWORK FITS IN THE SPACE AVAILABLE AND TO MAINTAIN THE GENERAL DESIGN INTENT FOR THE SYSTEMS.
  - PROVIDE CUTTING AND PATCHING AND ALL PENETRATIONS. SEAL ALL PENETRATIONS AND DUCTWORK WATER, AIR, AND WEATHER TIGHT.
  - PERFORM WORK IN ACCORDANCE WITH ALL APPLICABLE CODES AND REGULATIONS AND CONFORM TO SMACNA STANDARDS FOR SUPPLY AND INSTALLATION OF DUCTWORK.
  - REVIEW EQUIPMENT LOCATIONS WITH CONSULTANT PRIOR TO INSTALLATION.
  - PAINT ALL DUCTWORK TO MATCH EXISTING.
  - INSULATE ALL DUCTWORK.

- LEGEND:**
- NEW EQUIPMENT OR DUCTWORK
  - EXISTING DUCTWORK
  - MOTORIZED DAMPER
  - FILTER
  - SUPPLY FAN
  - LOUVER
  - FIRE DAMPER
  - TAG NO.
  - SIZE
  - FLOW RATE IN L/S
  - AIR FLOW
  - RECTANGULAR TO ROUND DUCT TRANSITION
  - THERMOSTAT
  - FLEXIBLE DUCT CONNECTION
  - FIRE EXTINGUISHER

HVAC SCHEDULE		
TAG No.	MAKE/MODEL	COMMENTS
MD-F63-1	TAMCO 9000BF	750x750 C/W SPRING-RETURN CLOSED BELIMO 120V ACTUATOR.
MD-F63-2	TAMCO 9000BF	600x600 C/W SPRING-RETURN CLOSED BELIMO 120V ACTUATOR.
FIL-F63-1	DAFCO AEROSTAR SERIES 400 SC	750x750x100 THK. MERV 8 FILTER. PROVIDE FILTER RACK.
SF-F63	GREENHECK TDI-3-18-613-A5	DIRECT DRIVE TUBE AXIAL INLINE FAN. 230V/3PH/60HZ, 1/2HP VFD-RATED MOTOR, 944 L/s @ 100 Pa, C/W INSPECTION DOOR, INLET AND OUTLET GUARDS. PROVIDE CLOSE-ON-RISE COOLING THERMOSTAT, VIBRATION ISOLATORS & MOUNTING BRACKETS TO HANG FAN FROM CEILING.
SF-F64	GREENHECK SFD-6-VG	DIRECT DRIVE UTILITY FAN. 120V/1PH/60HZ, 1/2HP, 189 L/s @ 110 Pa, C/W VARI-GREEN MOTOR W/ MOUNTED POTENTIOMETER DIAL AND VIBRATION ISOLATORS. MOUNT TO EXISTING PLYWOOD SUPPORT TO DRAW AIR FROM OUTDOORS THROUGH EXISTING LOUVER AND NEW DUCTED PLENUM.

LOUVER SCHEDULE		
TAG No.	MAKE/MODEL	COMMENTS
L-1	PRICE DE635	450x450 EXHAUST LOUVER MOUNTED IN WALL AT HIGH LEVEL C/W BIRD SCREEN. FINISH AND COLOUR BY OWNER.
L-2	PRICE DE635	750x750 INTAKE LOUVER MOUNTED IN WALL AT HIGH LEVEL C/W BIRD SCREEN. FINISH AND COLOUR BY OWNER.
L-3	PRICE DE635	600x600 EXHAUST LOUVER MOUNTED IN WALL AT HIGH LEVEL C/W BIRD SCREEN. FINISH AND COLOUR BY OWNER.



FIELD BOOK #		DESIGNED BY		CHECKED BY	
POSTED TO LBIS		DJ		RSB	
		ML			
0	ISSUED FOR CONSTRUCTION	14/08/18			
NO.	REVISIONS	DATE	BY	DATE	2014 04 22

ENGINEER'S SEAL

A-M01

**THE CITY OF WINNIPEG**  
WATER AND WASTE DEPARTMENT

FLOOD PUMPING STATION UPGRADES  
ASSINIBOINE STATION  
**MECHANICAL**  
HVAC PLAN

SHEET 1 OF 1  
CITY DRAWING NUMBER  
1-0115F-M0001-001