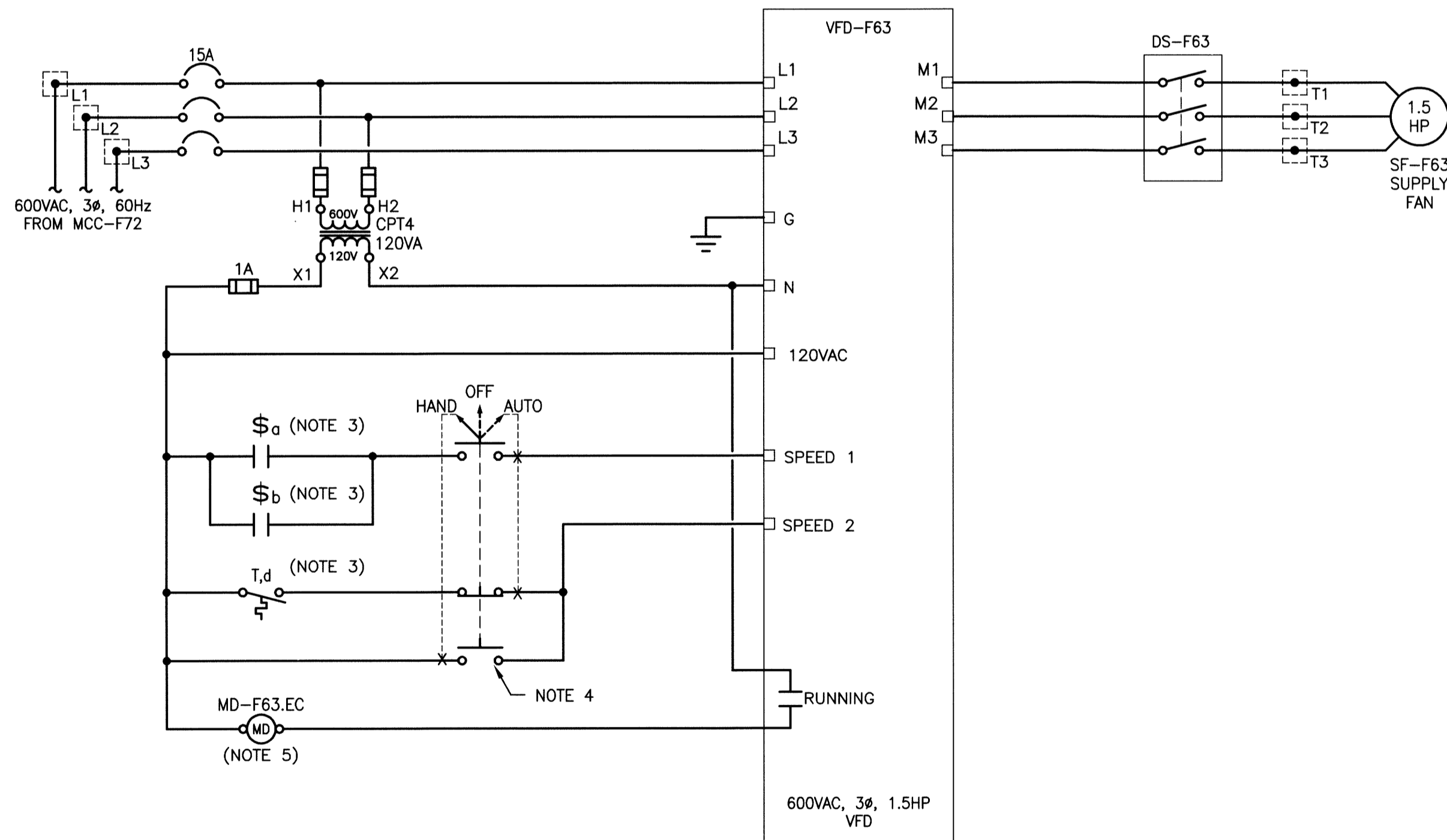
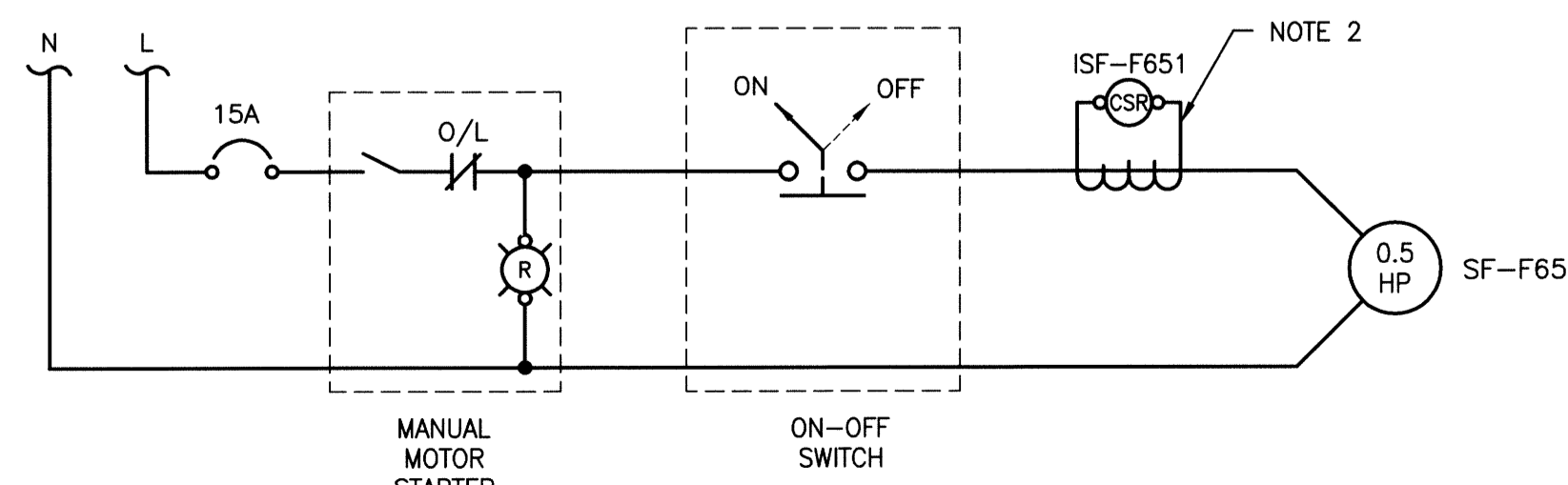


**A** ULTRASONIC TRANSDUCER DETAIL  
SCALE: N.T.S.



**B** SUPPLY FAN SF-F63 CONTROL SCHEMATIC  
SCALE: N.T.S.



**C** SUPPLY FAN SF-F65 STARTER CIRCUIT  
SCALE: N.T.S.

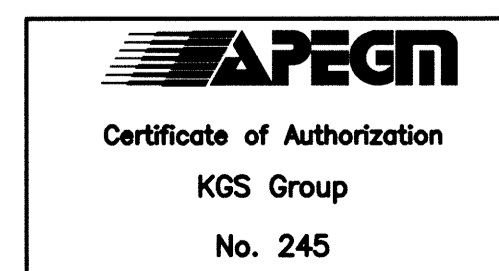
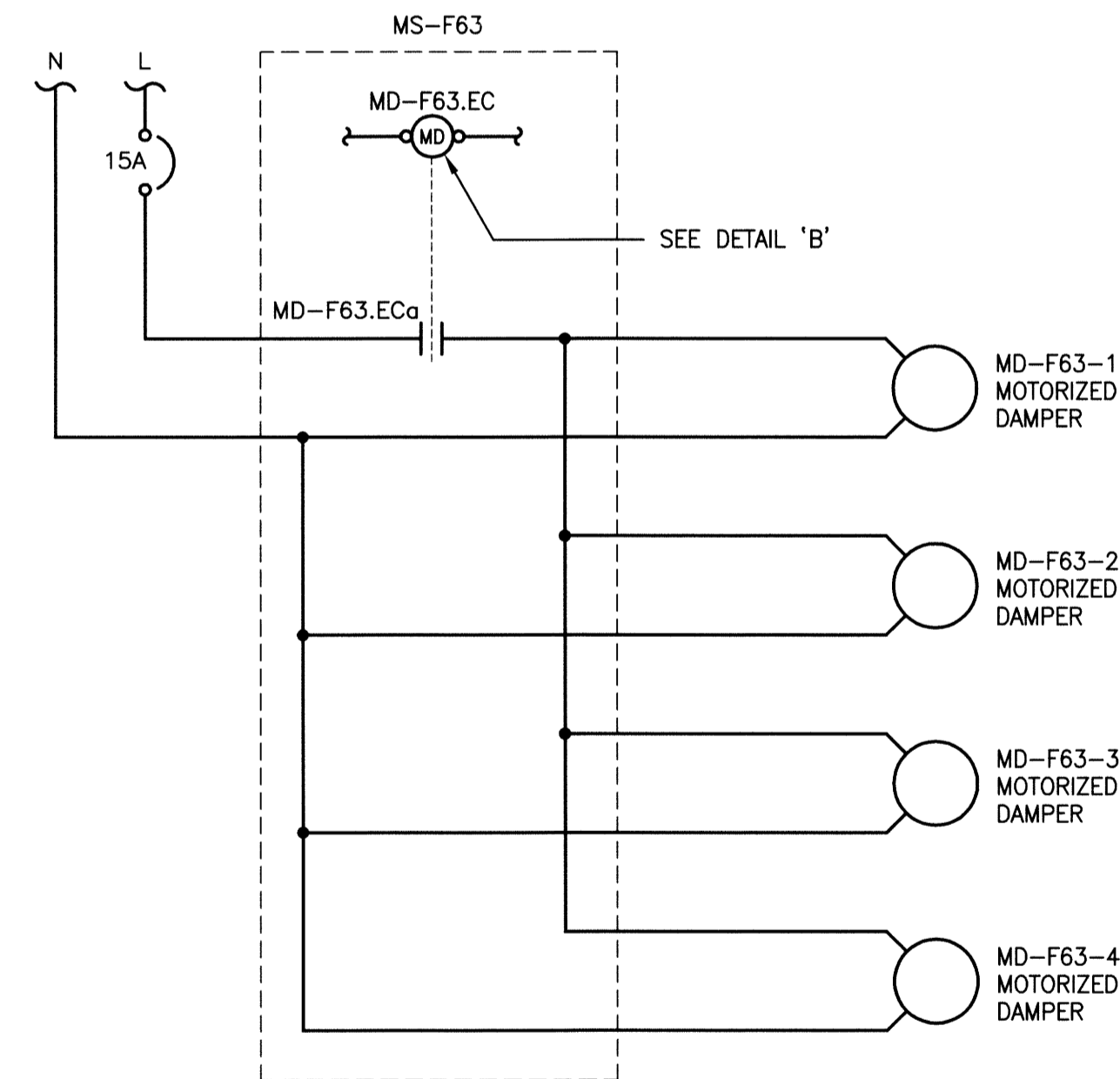
SUPPLY: 240V 1Ø 3W MAINS AMPACITY: 125 INCOMING: <input checked="" type="checkbox"/> BREAKER <input type="checkbox"/> LUGS MAIN BREAKER REQUIRED: <input checked="" type="checkbox"/> YES <input type="checkbox"/> NO MAIN BREAKER AMPS: 100 BUS MATERIAL: <input checked="" type="checkbox"/> COPPER <input type="checkbox"/> ALUMINUM BUS AND BREAKER RATING: 35kA		NAME PLATE:  <b>PANEL ' PNL-F73 '</b>		LOCATION: MAIN ELECTRICAL ROOM MOUNTING: <input checked="" type="checkbox"/> SURFACE <input type="checkbox"/> FLUSH MANUFACTURER: MODEL NO: BREAKER: <input type="checkbox"/> PLUG-IN <input checked="" type="checkbox"/> BOLT-ON SPD: <input type="checkbox"/> YES <input checked="" type="checkbox"/> NO SERVICE ENTRANCE RATED: <input type="checkbox"/> YES <input checked="" type="checkbox"/> NO						
REV	CT	VA	P	BKR	L1	L2	P	VA	CCT	REV
B	1			1	15		20	2		2
B	3			1	15					4
B	5			1	15					6
B	7			1	15					8
B	9			1	15					10
B	11			1	15					12
B	13			1	15					14
B	15			1	15					16
B	17									18
B	19									20
		LOAD 'L1'		LOAD 'L2'						
		0		0						

LUMINAIRE SCHEDULE				
TYPE	DESCRIPTION	VOLTAGE	LAMPS	APPROVED MANUFACTURERS
A	CHAIN SUSPENDED LED INDUSTRIAL LUMINAIRE c/w DIFFUSER	120V	42W LED 4000°K	LITHONIA LIGHTING: ZL2N L48 3000LM MDD MVOLT 40K 80CRI SKGY

**NOTES:**

- LAMACOID LABEL LABEL SHOWS THE FINAL CABLE DIMENSION BETWEEN THE BLIND FLANGE AND THE TRANSDUCER. LAMACOID PERMANENTLY FASTENED TO THE BLIND FLANGE.
- PROVIDE VERIS HAWKEYE 300 CURRENT SENSING RELAY OR APPROVED EQUIVALENT.
- CONTACT \$<sub>a</sub> AND \$<sub>b</sub> ARE OCCUPANCY SENSOR CONTACTS. CONTACT T<sub>d</sub> IS A N/O THERMOSTAT CONTACT. REFER TO DRAWING 1-0159F-E0005-001 FOR DEVICE LOCATIONS & DETAILS.
- HAND-OFF-AUTO SWITCH TO BE MOUNTED ON THE FRONT OF VFD-F63's BUCKET IN MCC-F72.
- SUPPLY RELAY WITH 120VAC COIL, 1 N/O CONTACT FOR MOTORIZED DAMPERS.

**D** MOTORIZED DAMPER CONTROL CIRCUITS  
SCALE: N.T.S.



FIELD BOOK #	
POSTED TO LBS	
DESIGNED BY	DDW/MAM
DRAWN BY	GCN
HDR. SCALE	N.T.S.
VERTICAL	N.T.S.
ISSUED FOR CONSTRUCTION	14/08/18 AP
REVISIONS	DATE BY
0	
1	2014 01 13

**KGS GROUP**  
CONSULTING ENGINEERS

DESIGNED BY DDW/MAM  
DRAWN BY GCN  
HDR. SCALE N.T.S.  
VERTICAL N.T.S.

CHECKED BY [Signature]  
APPROVED BY [Signature]  
RELEASED FOR CONSTRUCTION

DATE 2014 01 13

ENGINEER'S SEAL

**PAWLUKIEWICZ**  
Member  
Professional Engineer

M-E09

**THE CITY OF WINNIPEG**  
WATER AND WASTE DEPARTMENT

FLOOD PUMPING STATION UPGRADES  
MARION STATION  
**ELECTRICAL**  
DETAILS AND SCHEDULES

SHEET 1 OF 1  
CITY DRAWING NUMBER  
1-0159F-E0009-001