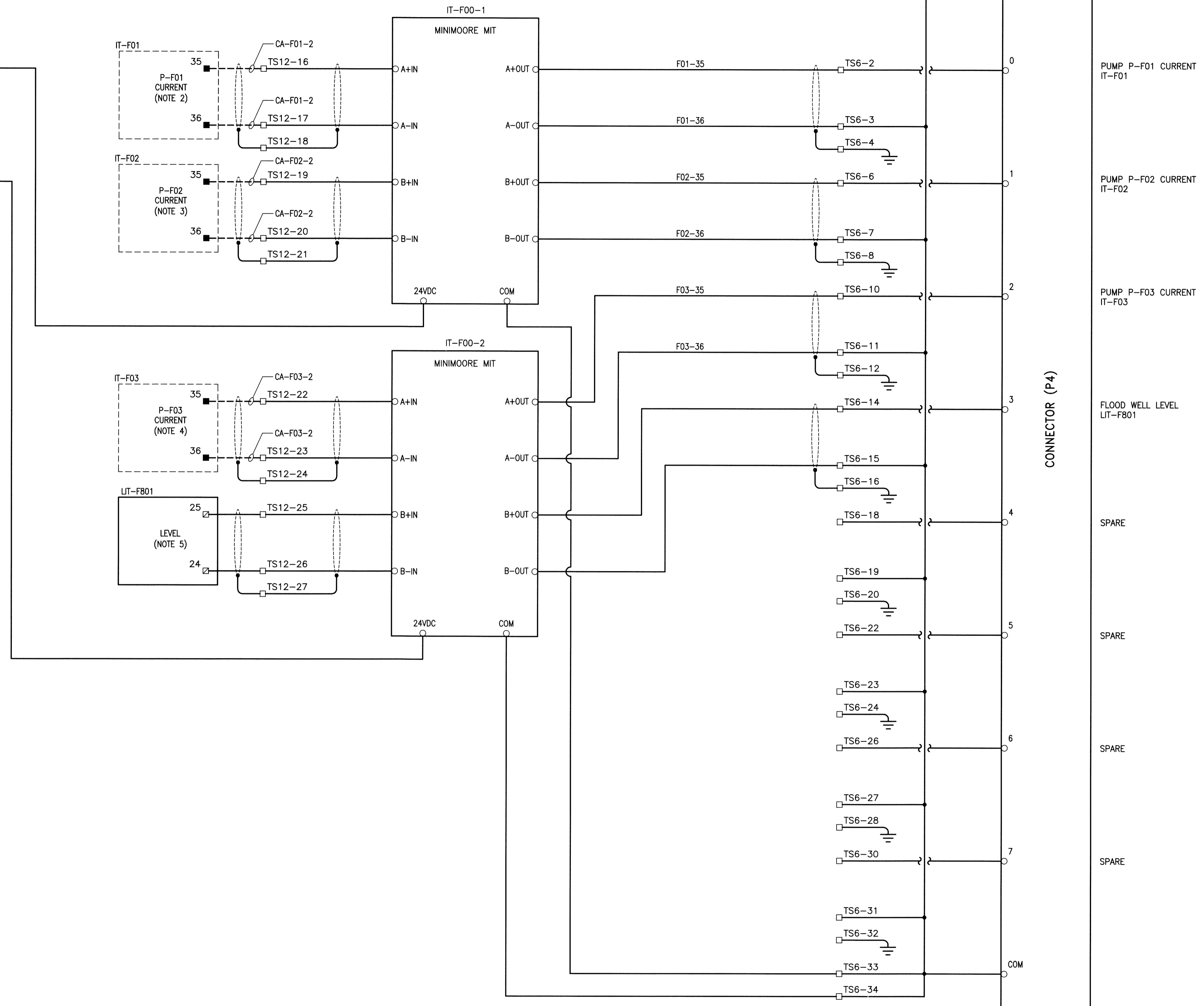


FROM TSDC-FU8
24 VDC (NOTE 1)

FROM TSDC-C8 (NOTE 1)
COM



- NOTES:**
- REFER TO DRAWING 1-0159F-E0011-001 (M-E21.1) FOR ADDITIONAL DETAILS.
 - REFER TO PUMP P-F01 STARTER SCHEMATIC DRAWING 1-0159F-E0006-001 (M-E04-1) FOR ADDITIONAL DETAILS.
 - REFER TO PUMP P-F02 STARTER SCHEMATIC DRAWING 1-0159F-E0007-001 (M-E05-1) FOR ADDITIONAL DETAILS.
 - REFER TO PUMP P-F03 STARTER SCHEMATIC DRAWING 1-0159F-E0008-001 (M-E06-1) FOR ADDITIONAL DETAILS.
 - REFER TO MULTIRANGER SCHEMATIC DRAWING 1-0159F-E0013-001 (M-E23) FOR ADDITIONAL DETAILS.

- LEGEND:**
- PANEL WIRING
 - FIELD WIRING
 - RTU TERMINAL
 - STARTER TERMINAL
 - MULTIRANGER TERMINAL
 - FUSED TERMINAL

File Name: P:\Projects\2013\13-0107-026\Elec\13-0107-026-M-E32.dwg - Tab: E32 Plotted By: dderoche 08/19/2014 [Tue 8:32am]



| | | | | | |
|----------------|-------------------------|---------------------------|----|------|------------|
| POSTED TO LBIS | | | | | |
| DESIGNED BY | DDW/MAM | CHECKED BY | | | |
| DRAWN BY | GCN | APPROVED BY | | | |
| HOR. SCALE | N.T.S. | RELEASED FOR CONSTRUCTION | | | |
| VERTICAL | | | | | |
| NO. | ISSUED FOR CONSTRUCTION | 14/08/18 | AP | DATE | 2014 01 17 |
| NO. | REVISIONS | DATE | BY | DATE | |

ENGINEER'S SEAL

M-E32

THE CITY OF WINNIPEG
WATER AND WASTE DEPARTMENT

FLOOD PUMPING STATION UPGRADES
MARION STATION
ELECTRICAL
RTU PANEL - 5606 I/O BOARD NO.1
ANALOG INPUTS

SHEET 1 OF 1
CITY DRAWING NUMBER
1-0159F-E0019-001