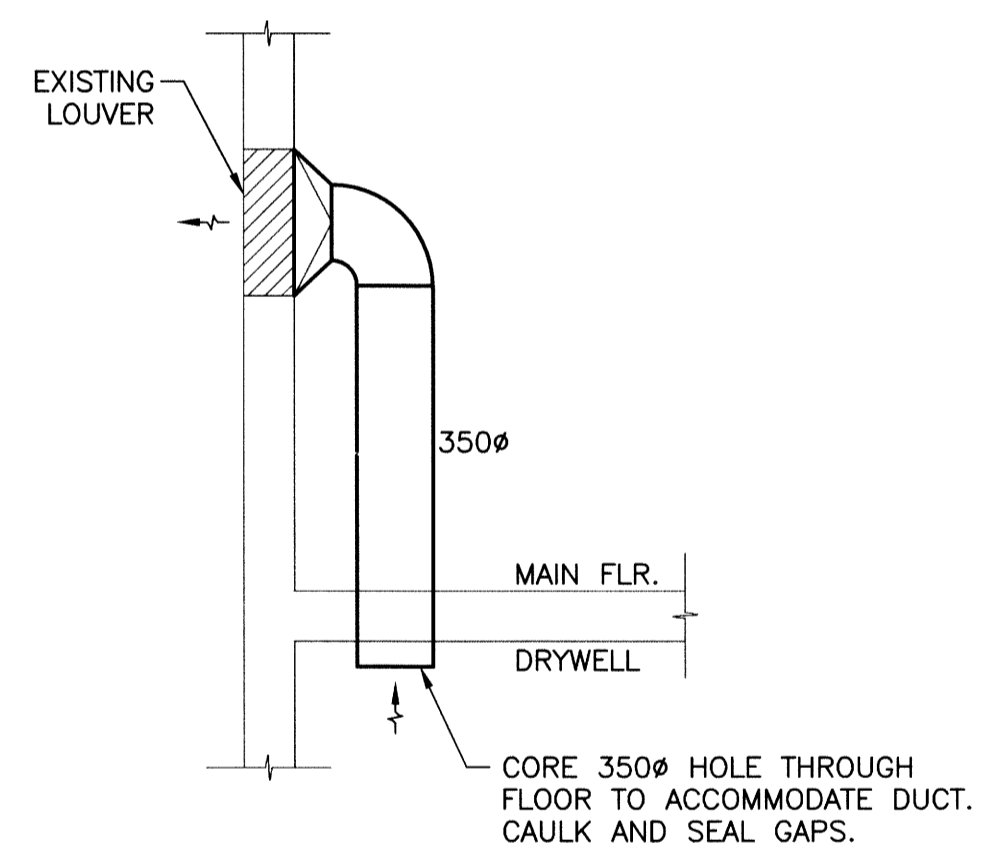


1 HVAC PLAN
 500 0 500 1000 1500 2000
 SCALE: 1:30



A SECTION
 SCALE: N.T.S.

GENERAL NOTES:

- EQUIPMENT LOCATIONS AND DUCT ROUTING INDICATED ON THE DRAWINGS IS APPROXIMATE ONLY. CONFIRM IN THE FIELD. REROUTE DUCTWORK AS REQUIRED TO ELIMINATE FIELD INTERFERENCES WITH BUILDING STRUCTURES, ELECTRICAL, ETC. CONFIRM CHANGES WITH CONSULTANT. COORDINATE WORK WITH ALL SUBTRADES. WHERE DIMENSIONS ARE INDICATED FOR DUCTWORK, DUCT SIZES, EQUIPMENT SIZES, ETC. THESE ARE FOR BIDDING PURPOSES ONLY. THE CONTRACTOR IS RESPONSIBLE TO VERIFY ALL DIMENSIONS IN THE FIELD PRIOR TO ORDERING EQUIPMENT AND COMMENCING INSTALLATION WITHOUT EXTRA CHARGES TO THE PROJECT. THE CONTRACTOR IS RESPONSIBLE TO ENSURE ALL EQUIPMENT AND DUCTWORK FITS IN THE SPACE AVAILABLE AND TO MAINTAIN THE GENERAL DESIGN INTENT FOR THE SYSTEMS.
- PROVIDE CUTTING AND PATCHING AND ALL PENETRATIONS. SEAL ALL PENETRATIONS AND DUCTWORK WATER, AIR, AND WEATHER TIGHT.
- PERFORM WORK IN ACCORDANCE WITH ALL APPLICABLE CODES AND REGULATIONS AND CONFORM TO SMACNA STANDARDS FOR SUPPLY AND INSTALLATION OF DUCTWORK.
- REVIEW EQUIPMENT LOCATIONS WITH CONSULTANT PRIOR TO INSTALLATION.
- PAINT ALL DUCTWORK TO MATCH EXISTING.
- INSULATE ALL DUCTWORK.

LEGEND:

- NEW EQUIPMENT OR DUCTWORK
- EXISTING DUCTWORK
- MOTORIZED DAMPER
- FILTER
- SUPPLY FAN
- LOUVER
- FIRE DAMPER
- TAG NO.
- SIZE
- FLOW RATE IN L/S
- AIR FLOW
- RECTANGULAR TO ROUND DUCT TRANSITION
- THERMOSTAT
- FLEXIBLE DUCT CONNECTION
- FIRE EXTINGUISHER

HVAC SCHEDULE		
TAG No.	MAKE/MODEL	COMMENTS
FD-F63-1	NAILOR D0110	200x200 UL LISTED 1 1/2 HR TYPE A FIRE DAMPER MOUNTED IN DUCT SLEEVE IN WALL C/W 74°C FUSIBLE LINK.
MD-F63-1	TAMCO 9000BF	900x1500 C/W SPRING-RETURN CLOSED BELIMO 120V ACTUATOR.
MD-F63-2	TAMCO 9000BF	1200x600 C/W SPRING-RETURN CLOSED BELIMO 120V ACTUATOR.
MD-F63-3	TAMCO 9000BF	1200x600 C/W SPRING-RETURN CLOSED BELIMO 120V ACTUATOR.
MD-F63-4	TAMCO 9000BF	450x450 C/W SPRING-RETURN CLOSED BELIMO 120V ACTUATOR.
FIL-F63-1	DAFO AEROSTAR SERIES 400 SC	4 x 450x750x100 THK. MERV 8 FILTERS. CONSTRUCT FILTER RACK TO ALLOW FILTERS TO BE INSTALLED FROM BOTTOM OF DUCT.
SF-F63	GREENHECK TBI-CA-3H30-15	BELT DRIVE TUBE AXIAL INLINE FAN. 600V/3PH/60HZ, 1 1/2 HP VFD-RATED MOTOR, 3304 L/s @ 125 Pa ESP, C/W BELT GUARD, MOTOR COVER, INSPECTION DOOR, INLET AND OUTLET GUARDS, PROVIDE CLOSE-ON-RISE COOLING THERMOSTAT, VIBRATION ISOLATORS & MOUNTING BRACKETS TO HANG FAN TIGHT TO CEILING.
SF-F65	GREENHECK SFD-7.5-VG	DIRECT DRIVE UTILITY FAN. 120V/1PH/60HZ, 1/2 HP, 465 L/s @ 100 Pa ESP, C/W VARI-GREEN MOTOR WITH MOUNTED POTENTIOMETER DIAL AND VIBRATION ISOLATORS.

LOUVER SCHEDULE		
TAG No.	MAKE/MODEL	COMMENTS
L-1	PRICE DE635	1200x1200 INTAKE LOUVER MOUNTED IN WALL AT HIGH LEVEL C/W BIRD SCREEN. FINISH AND COLOUR BY OWNER.
L-2	PRICE DE635	1200x600 EXHAUST LOUVER MOUNTED IN WALL AT HIGH LEVEL C/W BIRD SCREEN. FINISH AND COLOUR BY OWNER.
L-3	PRICE DE635	1200x600 EXHAUST LOUVER MOUNTED IN WALL AT HIGH LEVEL C/W BIRD SCREEN. FINISH AND COLOUR BY OWNER.
L-4	PRICE DE635	450x450 EXHAUST LOUVER MOUNTED IN WALL AT HIGH LEVEL C/W BIRD SCREEN. FINISH AND COLOUR BY OWNER.
L-5	PRICE DE635	600x600 INTAKE LOUVER MOUNTED IN WALL AT HIGH LEVEL C/W BIRD SCREEN. FINISH AND COLOUR BY OWNER.



FIELD BOOK #	
POSTED TO LBS	
ISSUED FOR CONSTRUCTION	14/08/18
NO. REVISIONS	DATE BY

KGS GROUP CONSULTING ENGINEERS	
DESIGNED BY: DJ	CHECKED BY: [Signature]
DRAWN BY: RP	APPROVED BY: [Signature]
HOR. SCALE: N.T.S.	RELEASED FOR CONSTRUCTION
VERTICAL: N.T.S.	
DATE: 2014 04 07	DATE:

ENGINEER'S SEAL

M-M01

THE CITY OF WINNIPEG
 WATER AND WASTE DEPARTMENT

FLOOD PUMPING STATION UPGRADES
 MARION STATION
MECHANICAL
 HVAC PLAN

SHEET 1 OF 1
 CITY DRAWING NUMBER
 1-0159F-M0001-001