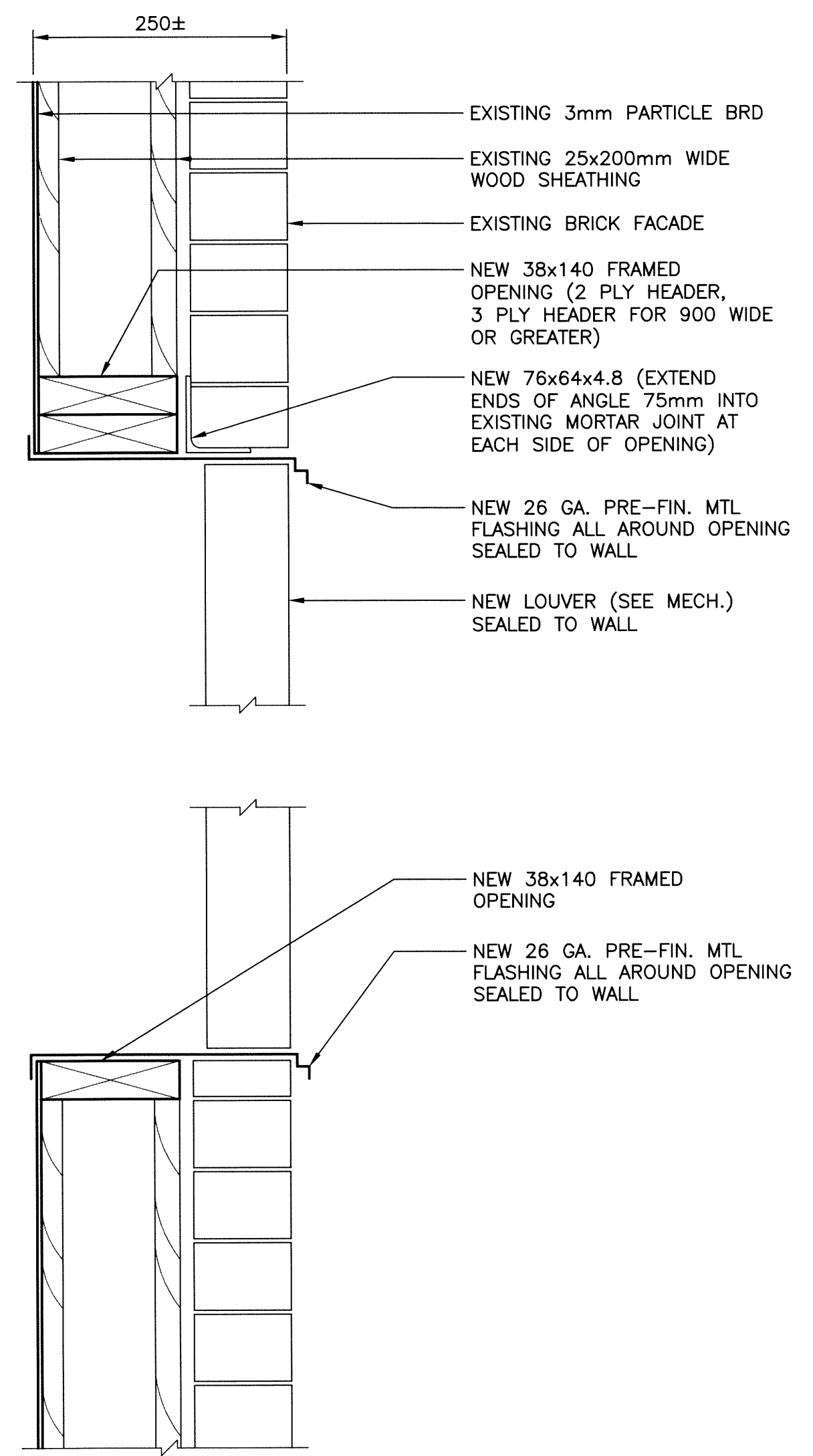
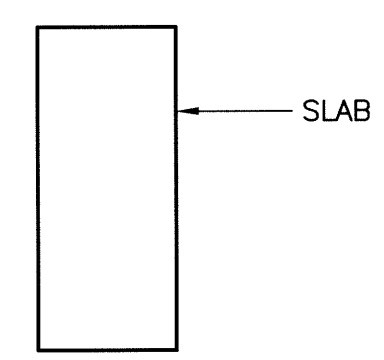


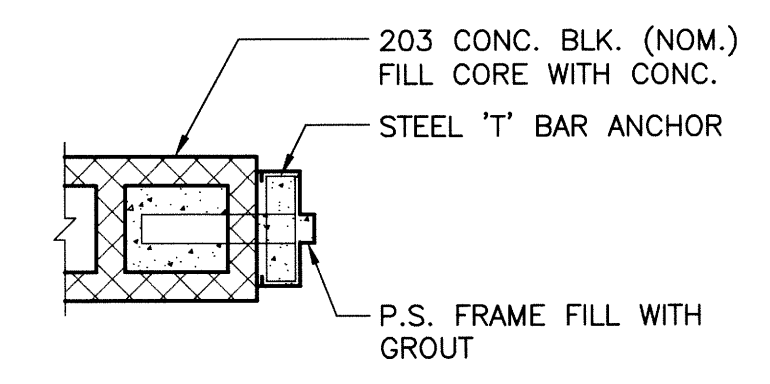
1 MAIN FLOOR PLAN
SCALE: 1:30



2 NEW WALL OPENING (TYP)
SCALE: 1:5



1 DOOR TYPE



A FRAME TYPE

DRAWINGS SHALL BE READ IN CONJUNCTION WITH THE PROJECT TECHNICAL SPECIFICATIONS.

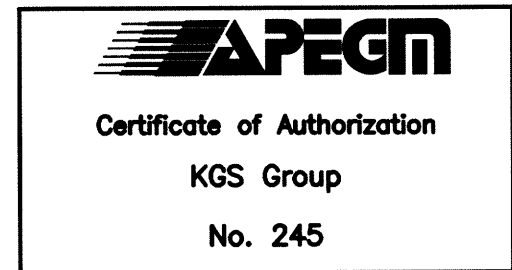
- GENERAL NOTES:**
1. LOCATE NEW OPENINGS WITHIN WALL SO THAT THE NUMBER OF STUDS THAT MUST BE CUT IS MINIMAL.
 2. OVERSIZE WALL OPENINGS AS REQUIRED FOR LOUVRE INSTALLATION CLEARANCE (TYPICALLY 6mm ALL AROUND).
 3. FIRE STOP ALL OPENINGS THROUGH NEW FIRE RATED WALLS.
 4. FIRE STOP ALL ALONG TOP OF NEW FIRE RATED WALLS.
 5. DIMENSIONS ARE APPROXIMATE. SITE VERIFY ALL DIMENSIONS AND CONDITIONS PRIOR TO ANY DEMOLITION, FABRICATION OR CONSTRUCTION.

- CONSTRUCTION NOTES:**
1. NEW 190mm CONCRETE BLOCK WALL TO UNDERSIDE OF ROOF DECKING. 1 HOUR FIRE RATED, PAINTED GREY.
 2. CORE NEW 365mmØ HOLE THROUGH CONCRETE FLOOR (SEE MECHANICAL FOR LOCATION). ENSURE HOLE LOCATION DOES NOT INTERFERE WITH CONCRETE BEAMS BELOW FLOOR SLAB.
 3. NEW OPENING IN WALL (SEE MECHANICAL FOR SIZE AND LOCATION).
 4. REMOVE EXISTING LOUVER AND INFILL OPENING (CONSTRUCTION TO MATCH EXISTING).
 5. NEW 900x2150 3/4 HR FIRE RATED DOOR COMPLETE WITH HARDWARE.
 6. LAMINATE EXISTING ROOF JOIST WITH NEW 38x215x3000 LONG AT NEW FAN HANGER LOCATIONS.
 7. REPAIR RIGID INSULATION AT MOTOR SHAFT FLOOR PENETRATIONS.
 8. GROUT 125x125 HOLE IN EXIST. FLOOR SLAB.
 9. REMOVE 38x89 WOOD SPACERS FROM UNDERSIDE OF EXIST. ROOF HATCH TO ELIMINATE GAP BETWEEN HATCH AND SUPPORT CURB.
 10. SEAL EXIST. MISC. FLOOR PENETRATIONS (CONDUIT, ETC.).
 11. REMOVE EXISTING PARTICLE BOARD AND WOOD SHEATHING FROM WALL INTERIOR. INSTALL 100mm ROXUL COMFORTBATT INSULATION, 6 MIL POLY VAPOUR BARRIER AND 19mm PLYWOOD PAINTED GREY (ELECTRICAL ROOM ONLY)

- ABBREVIATIONS:**
- HM HOLLOW METAL
 - INSUL INSULATION
 - KHC KRAFT HONEYCOMB
 - P PAINT
 - PF PRE-FINISHED
 - PS PRESSED STEEL
 - RBR RUBBER
 - STL STEEL

DOOR SCHEDULE											HARDWARE						
DOOR NO.	DOOR						FRAME				FIRE RATING (HOURS)	HINGES	PANIC PUSH BAR	PASSAGE SET	CLOSER	DOOR STOP	KICKPLATE
	SIZE	ELEV.	MAT'L	CORE	FINISH	REMARKS	SECT.	MAT'L	FINISH	REMARKS							
D101	900W x 2150H	1	STL	KHC	P		A	STL	P		•	•	•	•	•	•	

- DOOR HARDWARE:**
- 1. HINGES - CB1960 114 x 102 630 STANLEY
 - 2. RIM EXIT DEVICE - 2100F AU548F 626 YALE
 - 3. SURFACE CLOSURE - 4040XP EDA 689 LCN
 - 4. FLOOR DOOR STOP - CD75 0054 STANLEY
 - 5. KICKPLATE S.S. - K10A x 254(1.27mm) STANDARD METAL



FIELD BOOK #:		KGS GROUP CONSULTING ENGINEERS		ENGINEER'S SEAL C.M. SIEPMAN Member 20813	
POSTED TO LBIS		DESIGNED BY CMS	CHECKED BY		
		DRAWN BY MBB	APPROVED BY		
		HDR. SCALE AS NOTED	RELEASED FOR CONSTRUCTION		
0	ISSUED FOR CONSTRUCTION	14/08/18	DATE	2014-06-20	DATE
NO.	REVISIONS	DATE	BY	DATE	DATE

THE CITY OF WINNIPEG
WATER AND WASTE DEPARTMENT

FLOOD PUMPING STATION UPGRADES
MARION STATION
STRUCTURAL
MAIN FLOOR PLAN

SHEET 1 OF 1
CITY DRAWING NUMBER
1-0159F-S0006-001