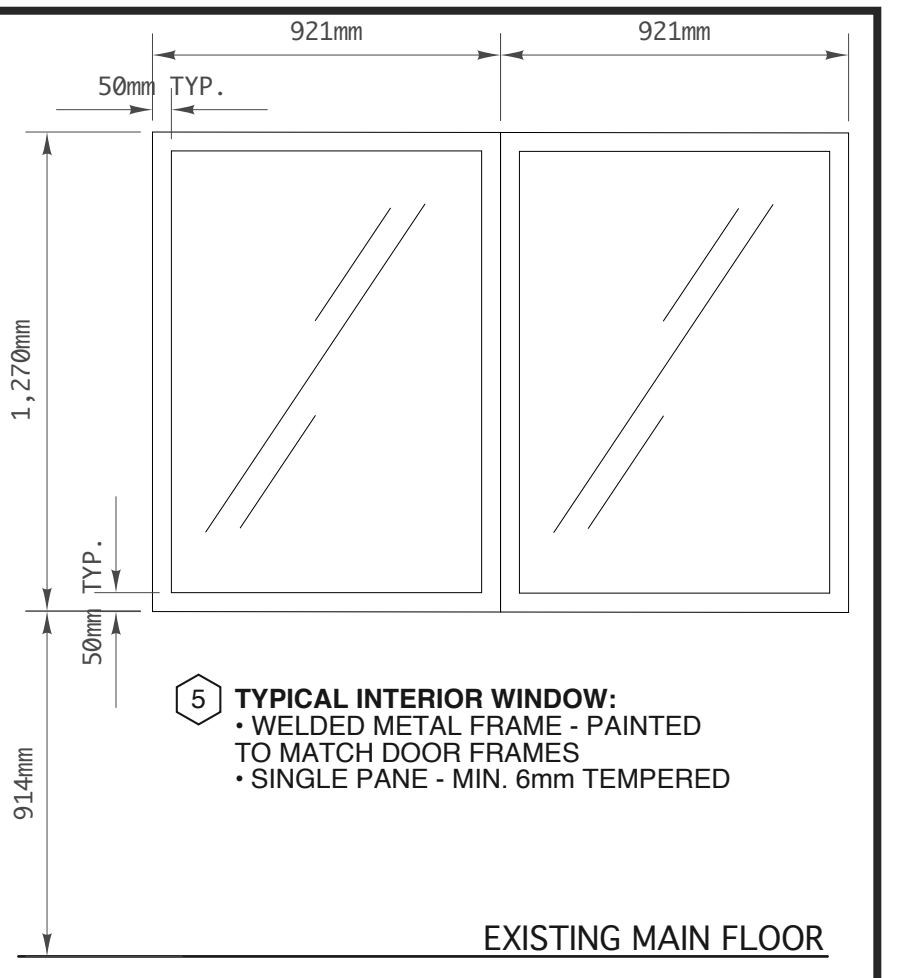
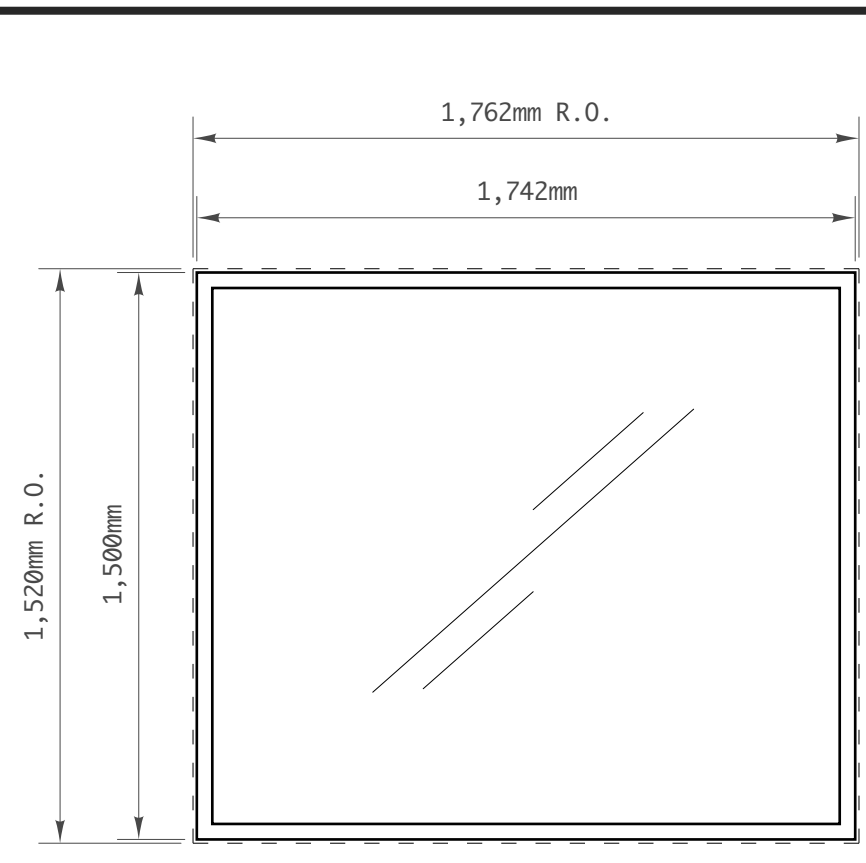
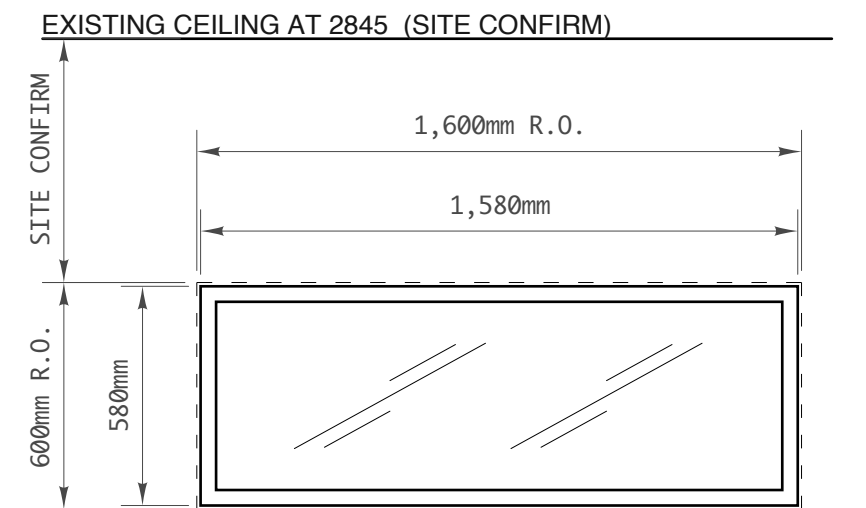


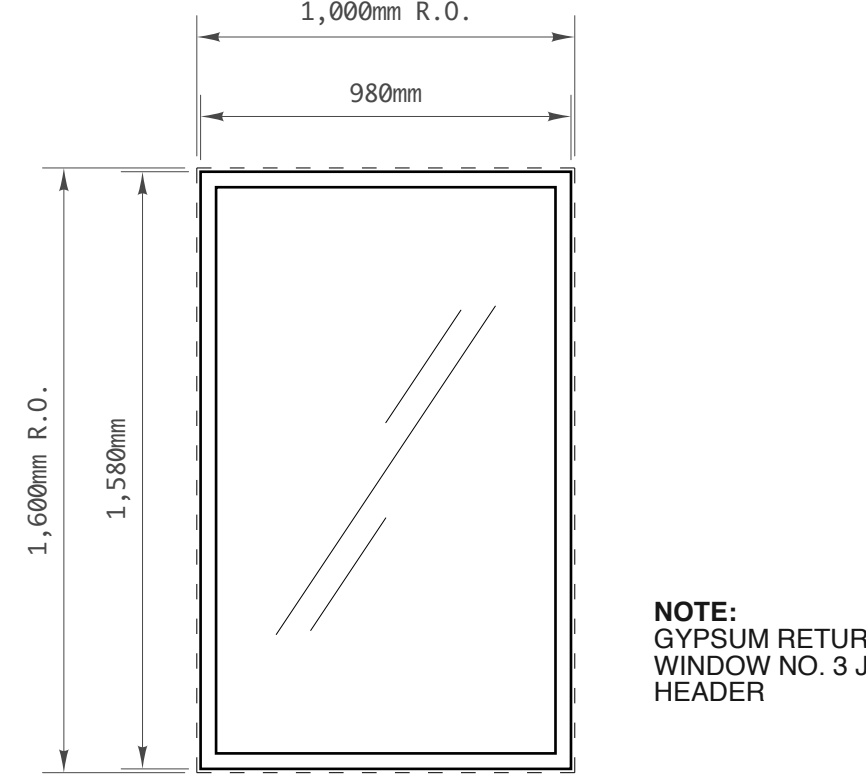
WINDOW SPRAY FOAM NOTES:
 1. FILL WINDOW FRAME ALL AROUND WITH SPRAY FOAM PRIOR TO INSTALLATION.
 2. AFTER WINDOW INSTALLATION, FOAM FILL ROUGH OPENING ALL AROUND.
 3. ALL WINDOW SPARY FOAM TO BE TYPE 2 CLOSED-CELL FOAM



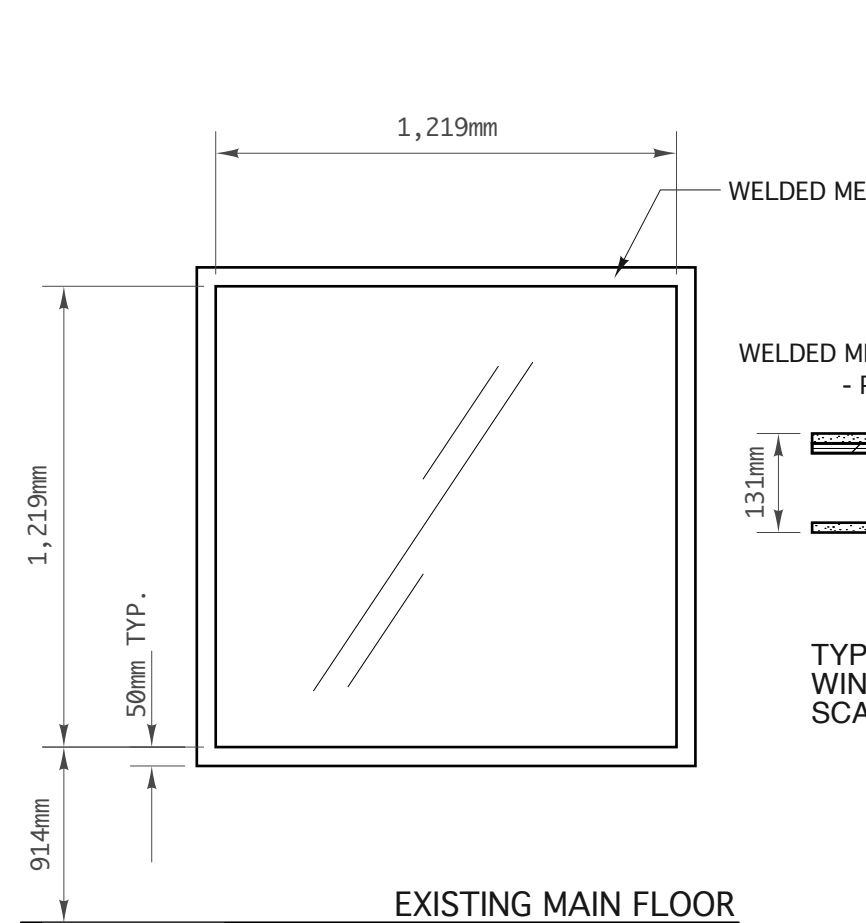
1 EXTERIOR GALLERY M04 WINDOW:
 • ALUMINUM FRAME
 • FRAME COLOUR TO BE DARK BRONZE #40
 • TRI-PANE C/W TWO COATS LOW-E, ARGON GAS.
 • ACCEPTABLE PRODUCTS:
 - ALUMICOR SERIES 1900
 - KAWNEER SERIES 5500
 - OR APPROVED EQUIVALENT
 • EXTERIOR GLASS TO BE 12mm TEMPERED GLASS - SEE SPEC



2 EXTERIOR MPR#1 M25 WINDOW:
 • ALUMINUM FRAME
 • FRAME COLOUR TO BE DARK BRONZE #40
 • TRI-PANE C/W TWO COATS LOW-E, ARGON GAS.
 • ACCEPTABLE PRODUCTS:
 - ALUMICOR SERIES 1900
 - KAWNEER SERIES 5500
 - OR APPROVED EQUIVALENT
 • EXTERIOR GLASS TO BE 12mm TEMPERED GLASS - SEE SPEC



3 EXTERIOR COMPUTER M26 WINDOW:
 • ALUMINUM FRAME
 • FRAME COLOUR TO BE DARK BRONZE #40
 • TRI-PANE C/W TWO COATS LOW-E, ARGON GAS.
 • ACCEPTABLE PRODUCTS:
 - ALUMICOR SERIES 1900
 - KAWNEER SERIES 5500
 - OR APPROVED EQUIVALENT
 • EXTERIOR GLASS TO BE 12mm TEMPERED GLASS - SEE SPEC



4 TYPICAL INTERIOR WINDOW:
 • WELDED METAL FRAME - PAINTED TO MATCH DOOR FRAMES
 • SINGLE PANE - MIN. 6mm TEMPERED
 • WINDOW BETWEEN OFFICE AND VESTIBULE TO BE 12mm TEMPERED GLASS - SEE SPEC

WINDOW GENERAL NOTES:
 - SITE CONFIRM ALL WINDOW SIZES WITH ROUGH OPENING SIZES PRIOR TO ORDERING
 - SITE CONFIRM WINDOW HEIGHTS WITH EXISTING BLOCK COURSES AND CEILING HEIGHTS.
 - LOCATE LOW-E COATINGS TO REDUCE SOLAR HEAT GAIN ON SOUTH AND WEST WINDOWS, AND TO REDUCE HEAT LOSS ON NORTH AND EAST WINDOWS.
 - ALL REQUESTS FOR EQUALS MUST BE IN ACCORDANCE WITH B7

revision

The drawings, specifications, revisions, addendums, and clarifications, must be read as a whole. Errors and omissions due to separation of the documents by the general contractor become the responsibility of the same.

This drawing must not be scaled.

The general Contractor must verify all dimensions, datums and levels prior to commencement of work. All errors and omissions must be reported immediately to the Architect.

Variations and modifications to work shown on this drawing shall not be carried out without written permission from the Architect.



harold funk architect inc.

Harold Funk Architect Inc.
 Architecture and Urban Design
 401-55 Donald Street, Winnipeg, Manitoba R3C 1L8
 T (204) 943-5087 info@funkarchitect.com
 F (204) 949-9231 funkarchitect.com

project
 WESTON MEMORIAL COMMUNITY CENTRE - RENOVATION PROJECT
 WINNIPEG, MANITOBA

sheet title
 WINDOW DETAILS & SCHEDULE

BID OPPORTUNITY #: 824-2014

project number: 14-004 **drawing number:** A-5.1

scale: AS SHOWN

drawn by: J.R.

approved by: H.F.

date: SEPT. 30, 2014