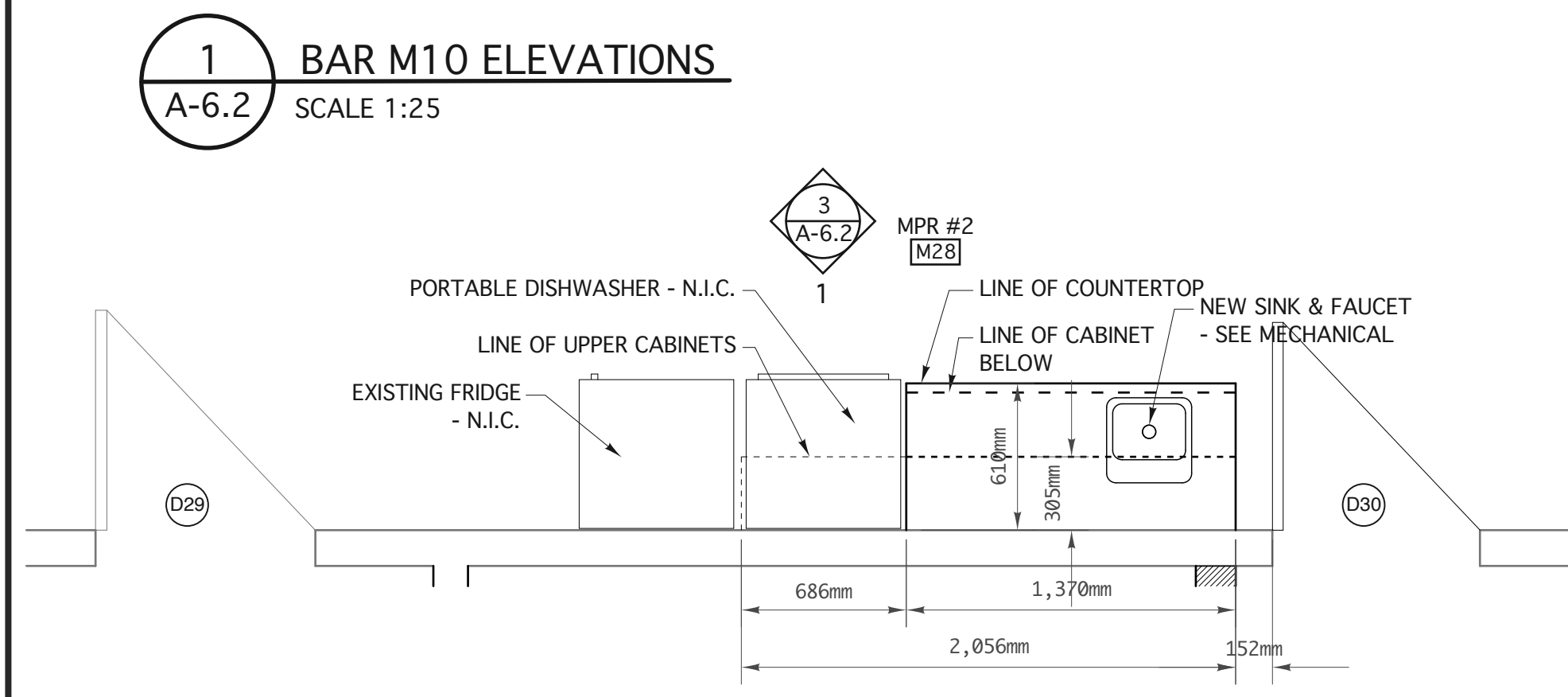
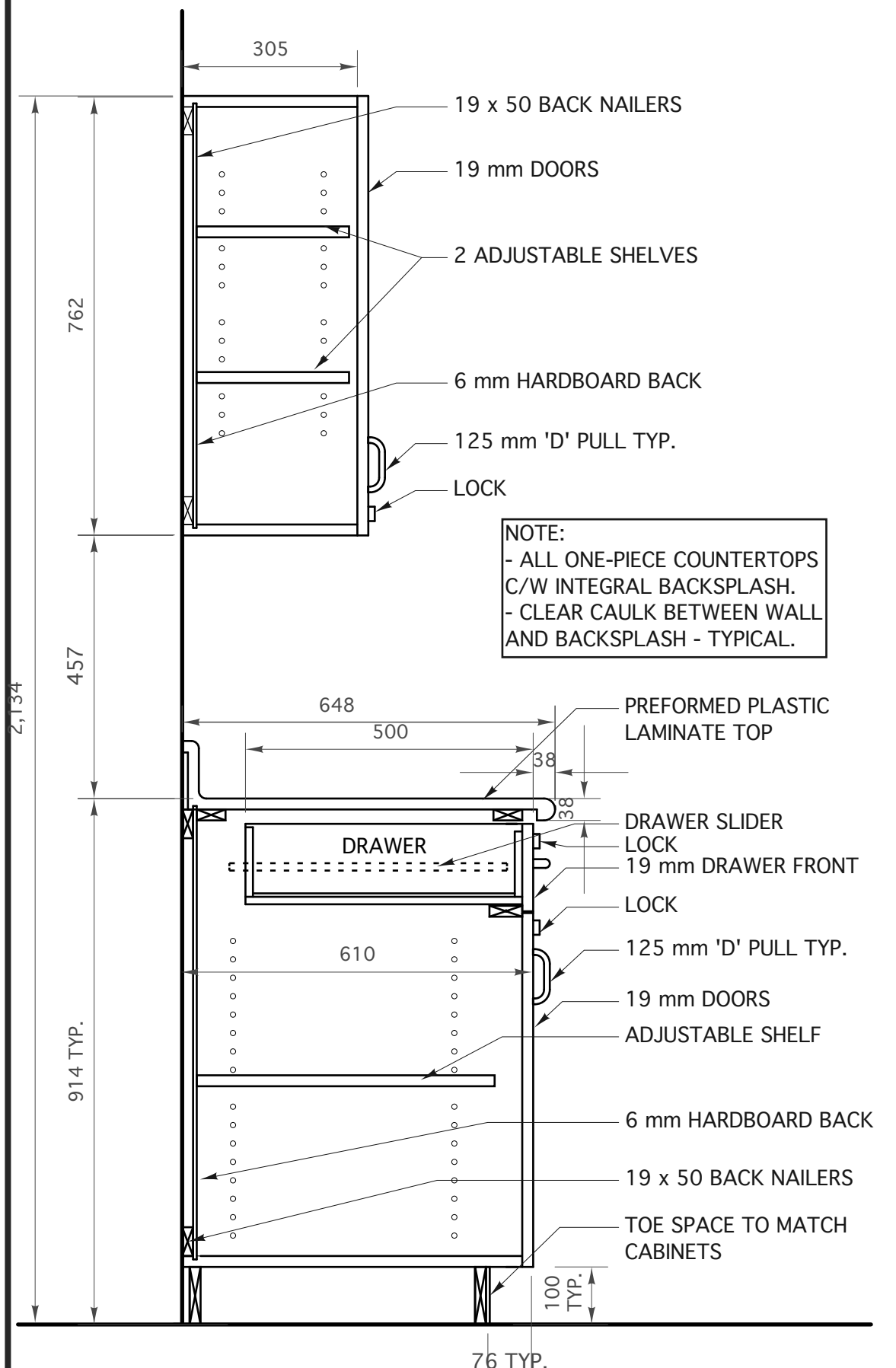


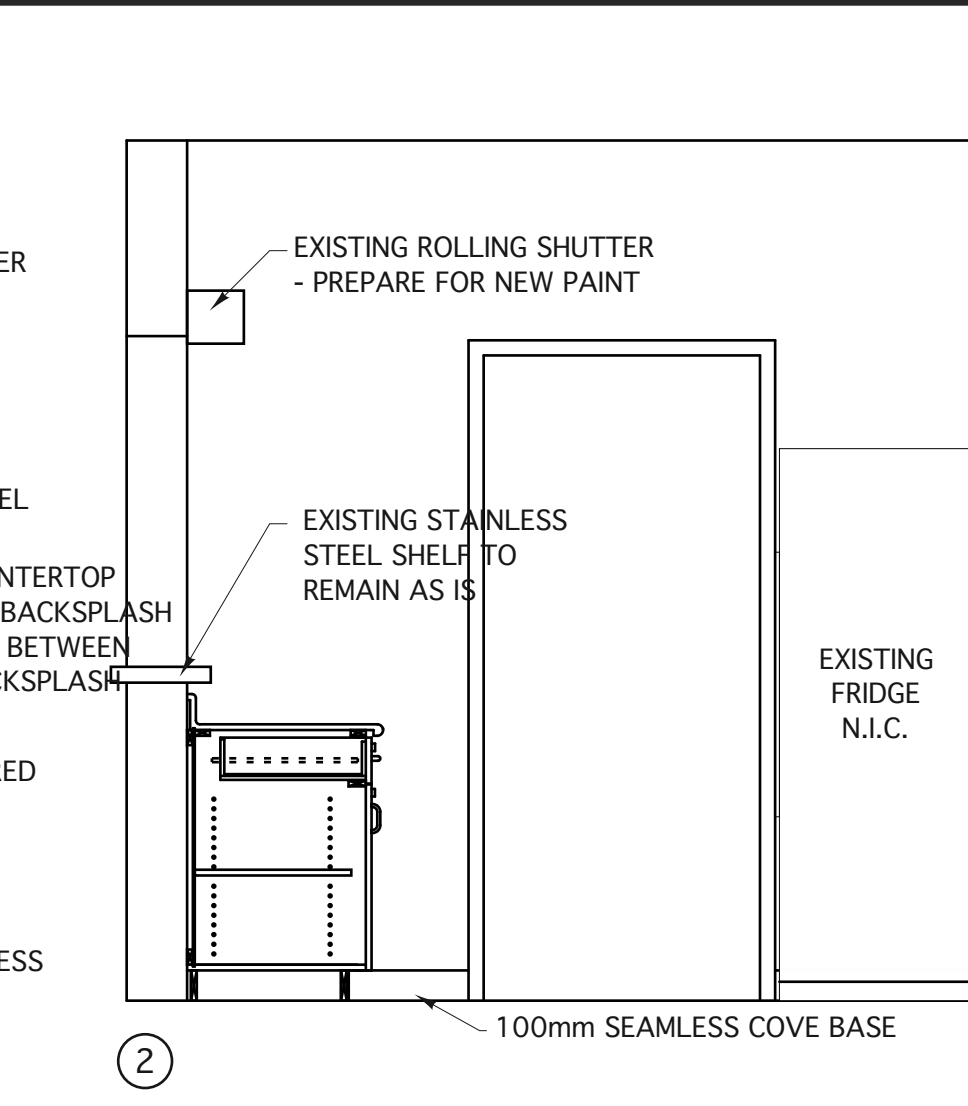
1 BAR M10 ELEVATIONS
A-6.2 SCALE 1:25



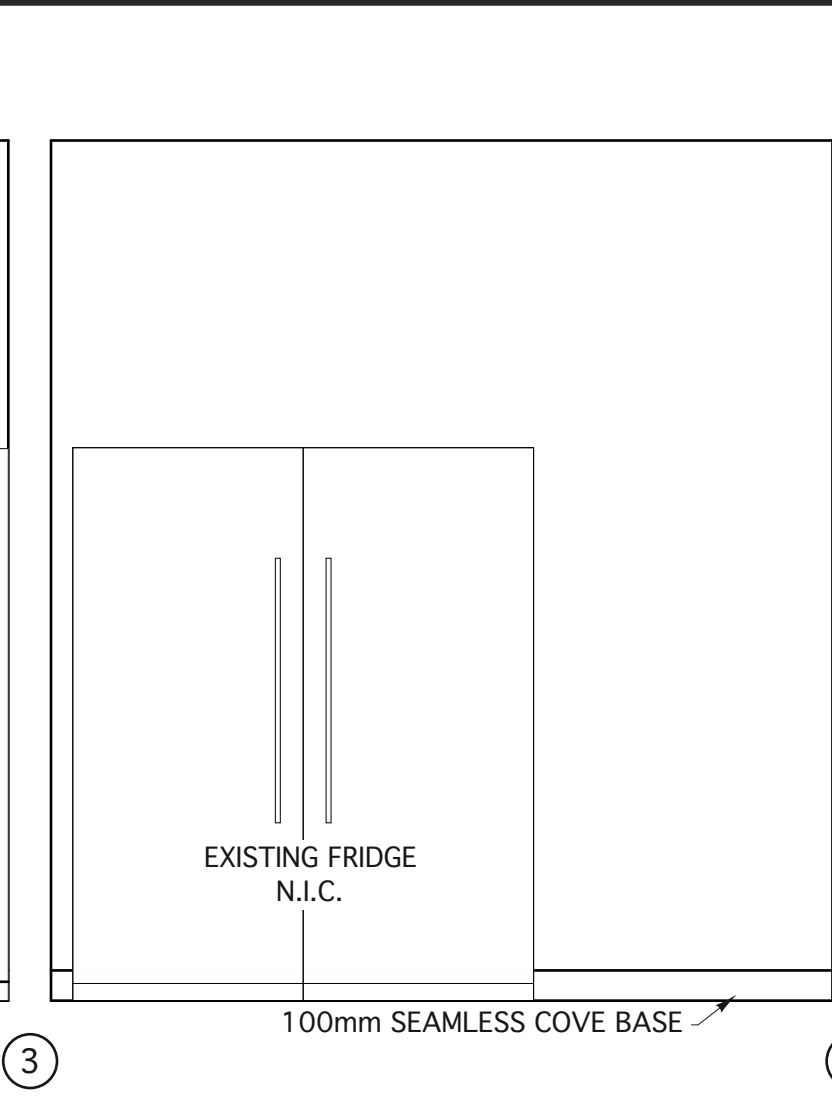
2 MPR # 2 ENLARGED PLAN
A-6.2 SCALE 1:25



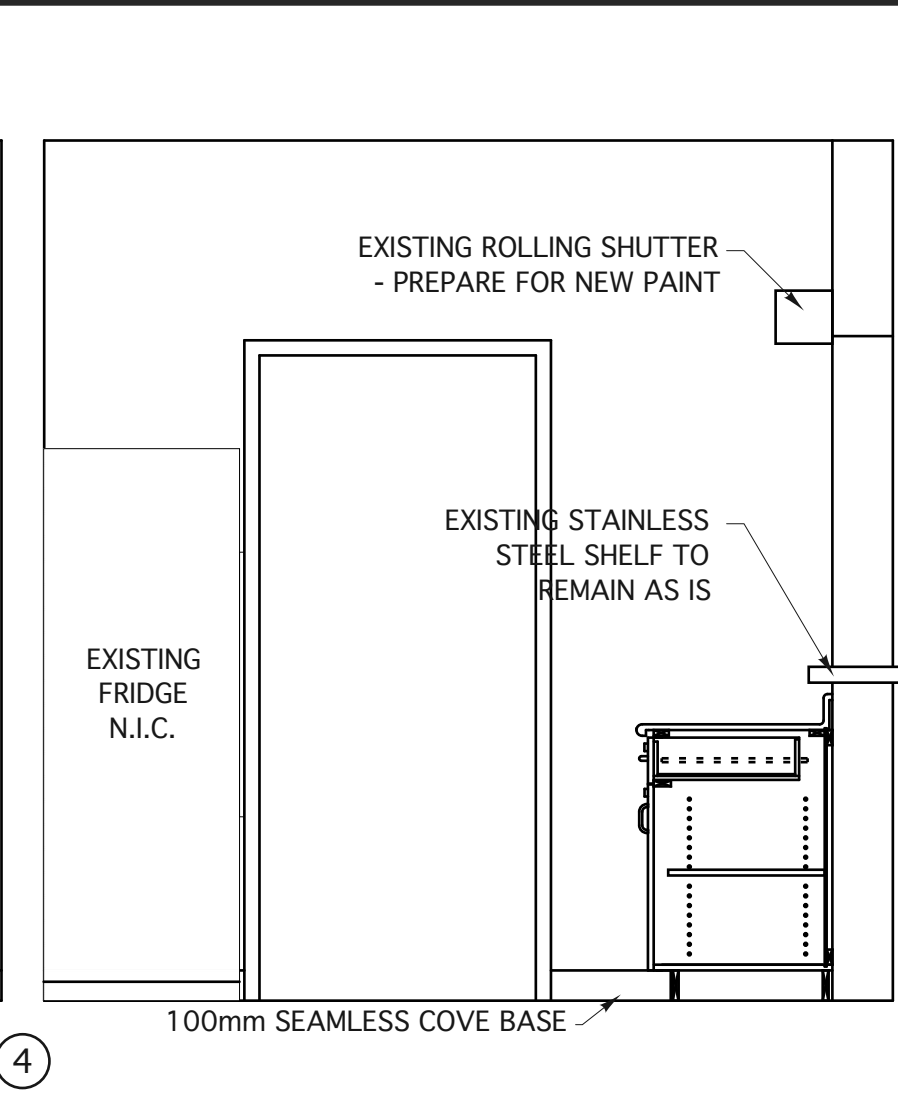
4 TYP. CABINET SECTION
A-6.2 SCALE 1:10



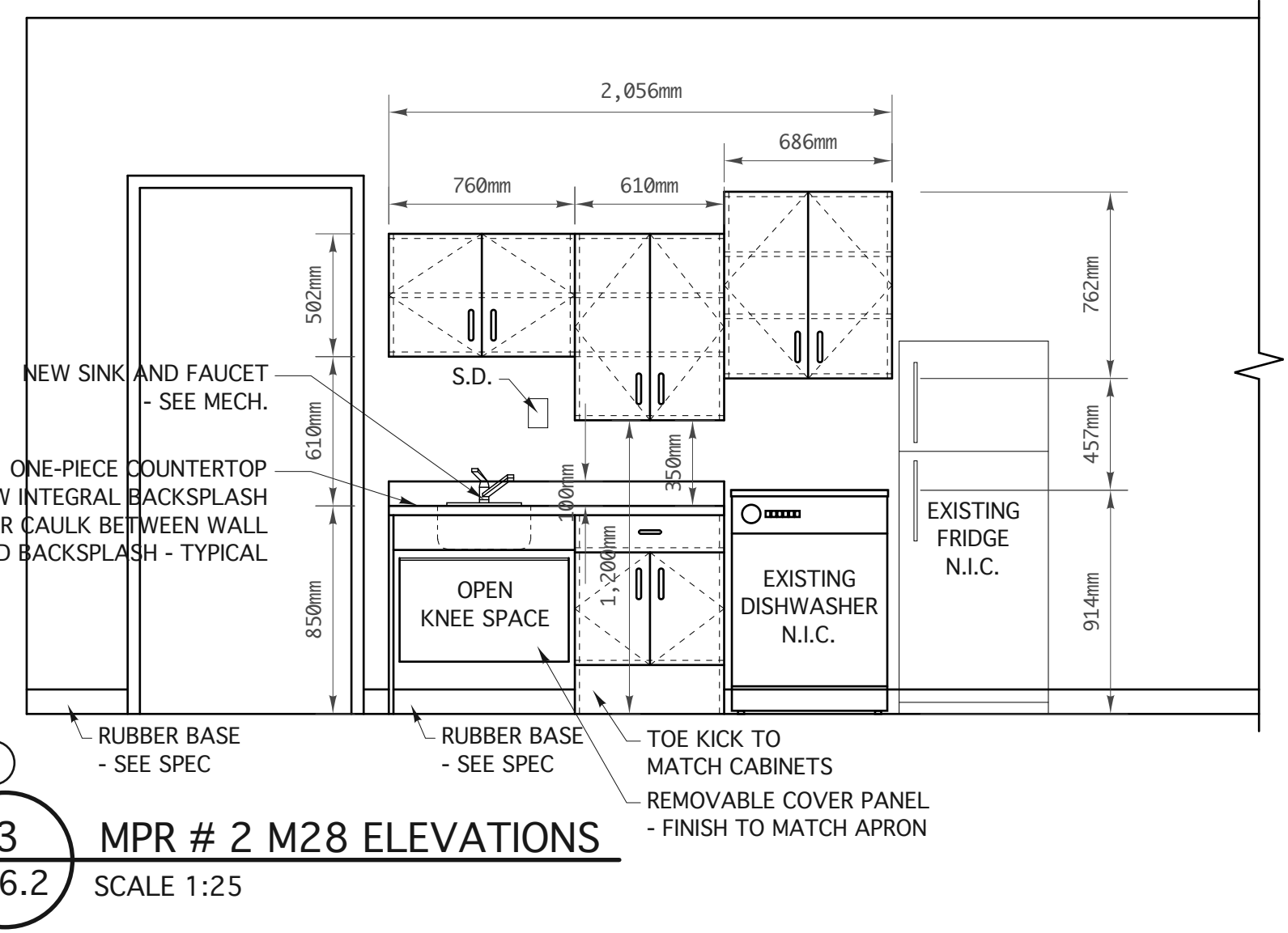
5 CABINET/SINK SEC.
A-6.2 SCALE 1:10



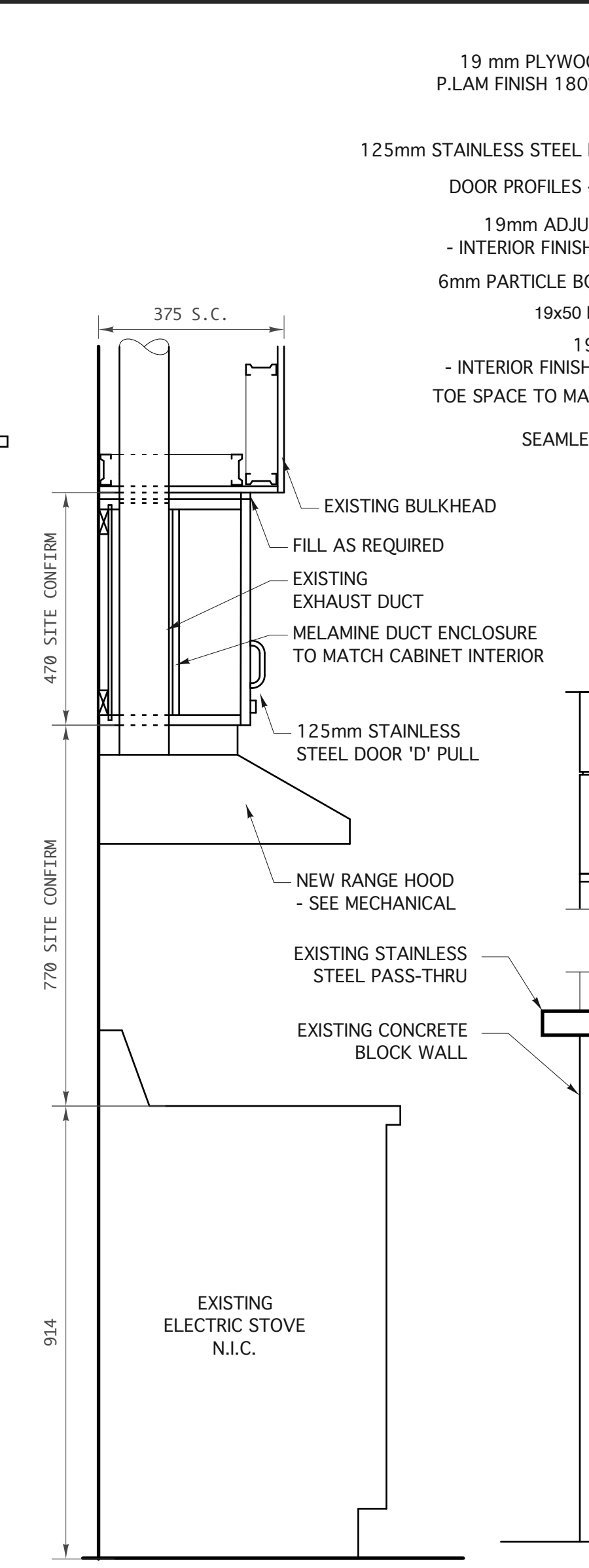
6 MICROWAVE/CABINET SEC.
A-6.2 SCALE 1:10



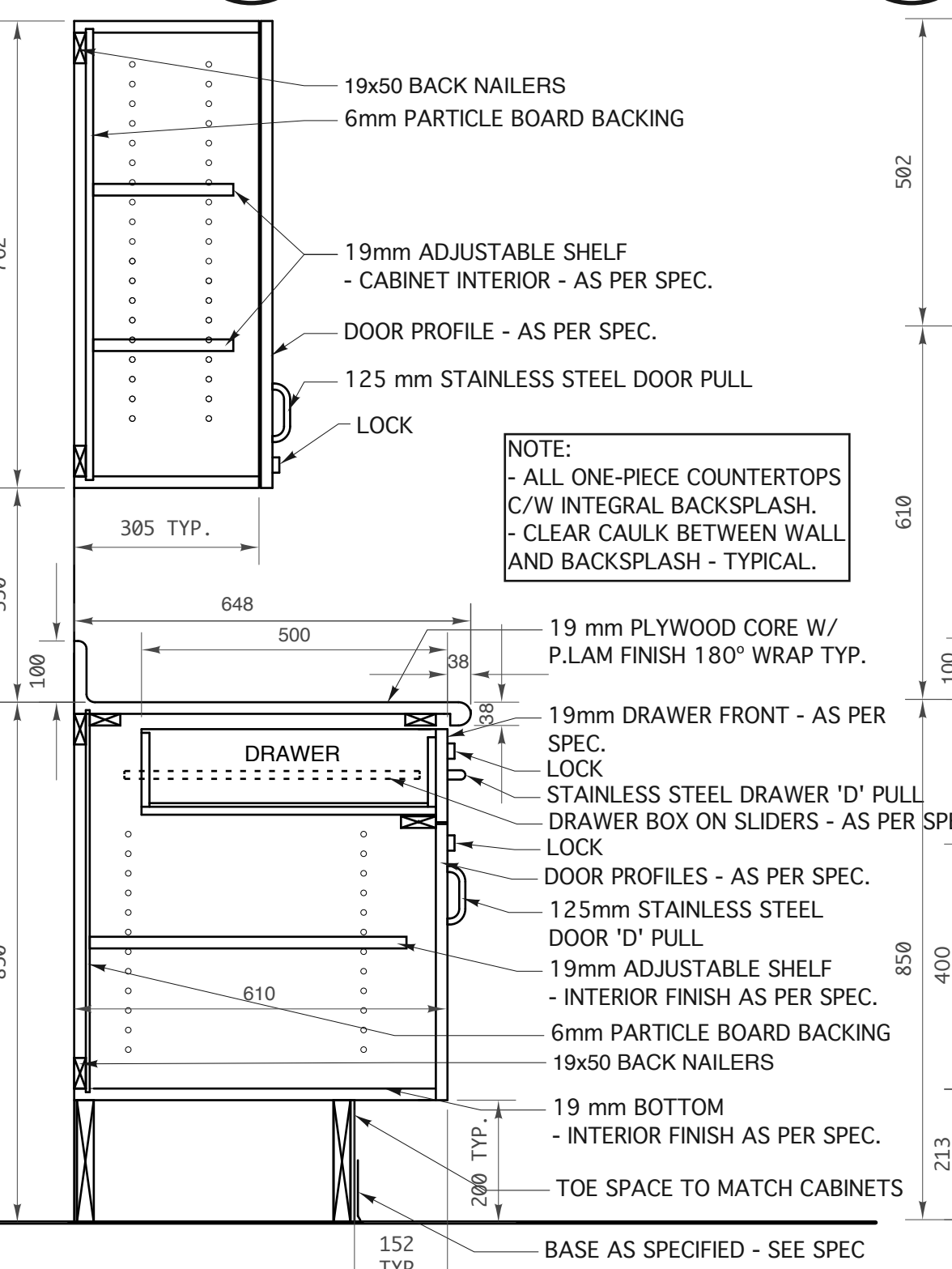
7 PANTRY SEC.
A-6.2 SCALE 1:10



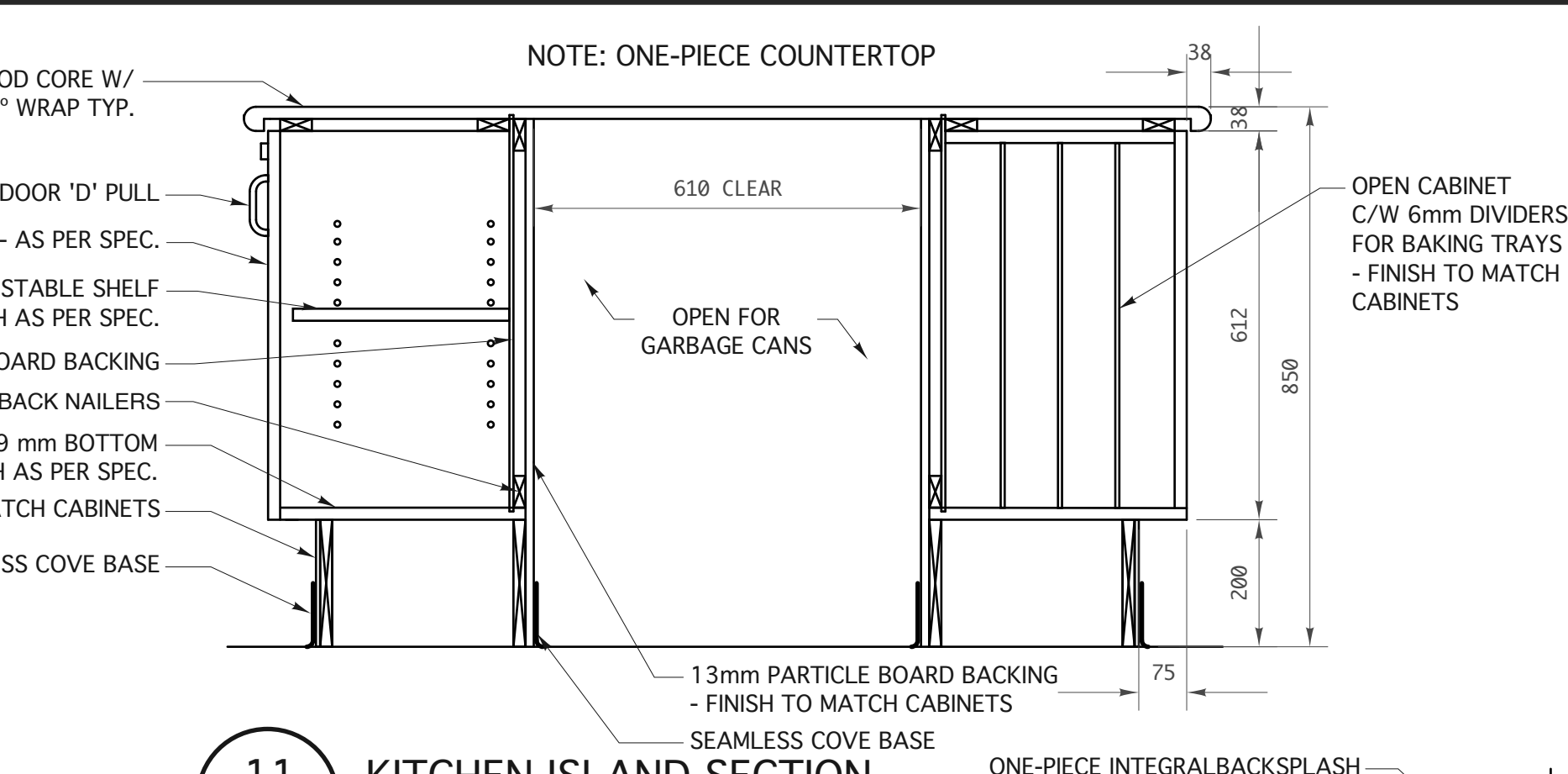
3 MPR # 2 M28 ELEVATIONS
A-6.2 SCALE 1:25



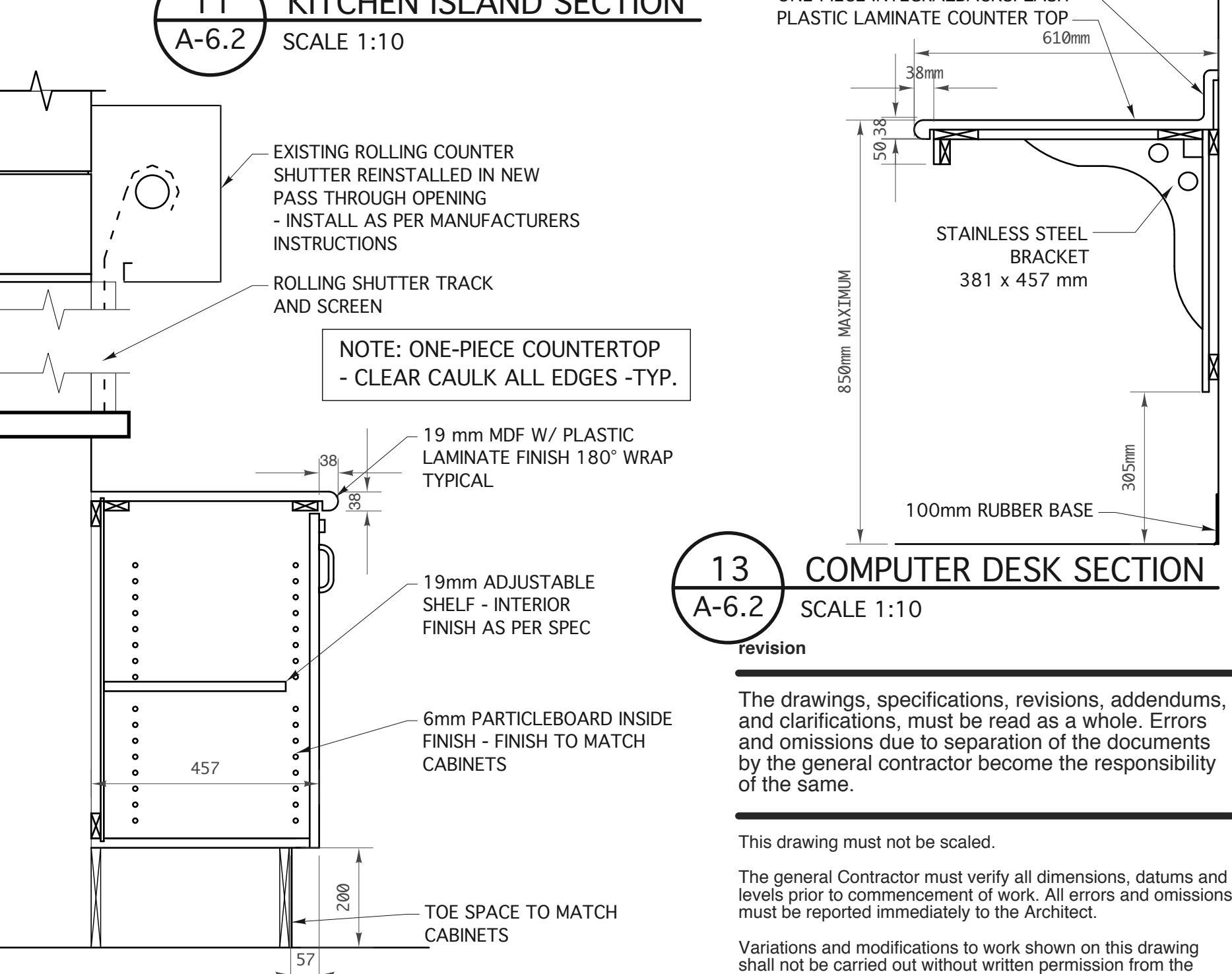
10 STOVE / CABINET SEC.
A-6.2 SCALE 1:10



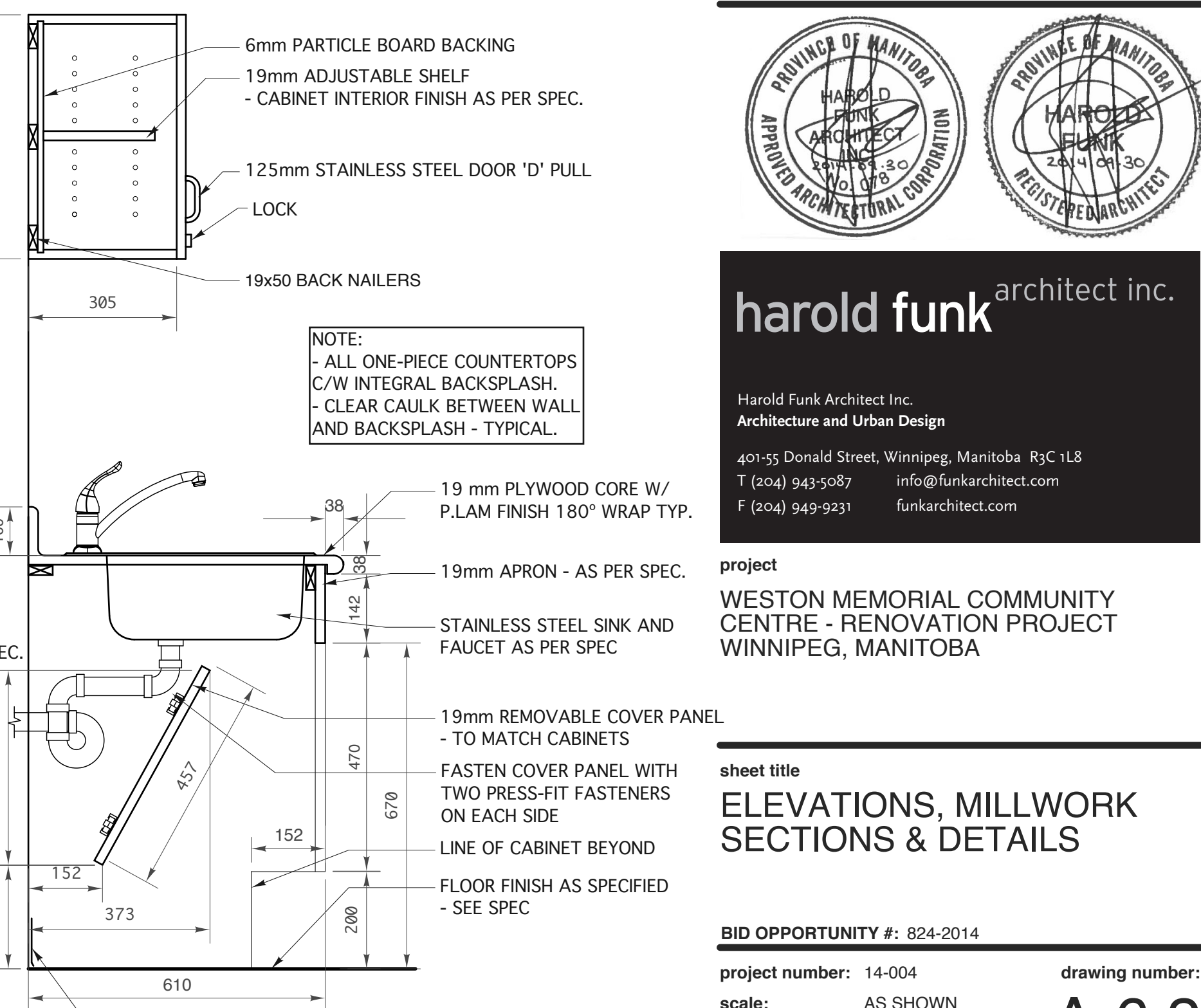
8 ACCESSIBLE TYP. CABINET SEC.
A-6.2 SCALE 1:10



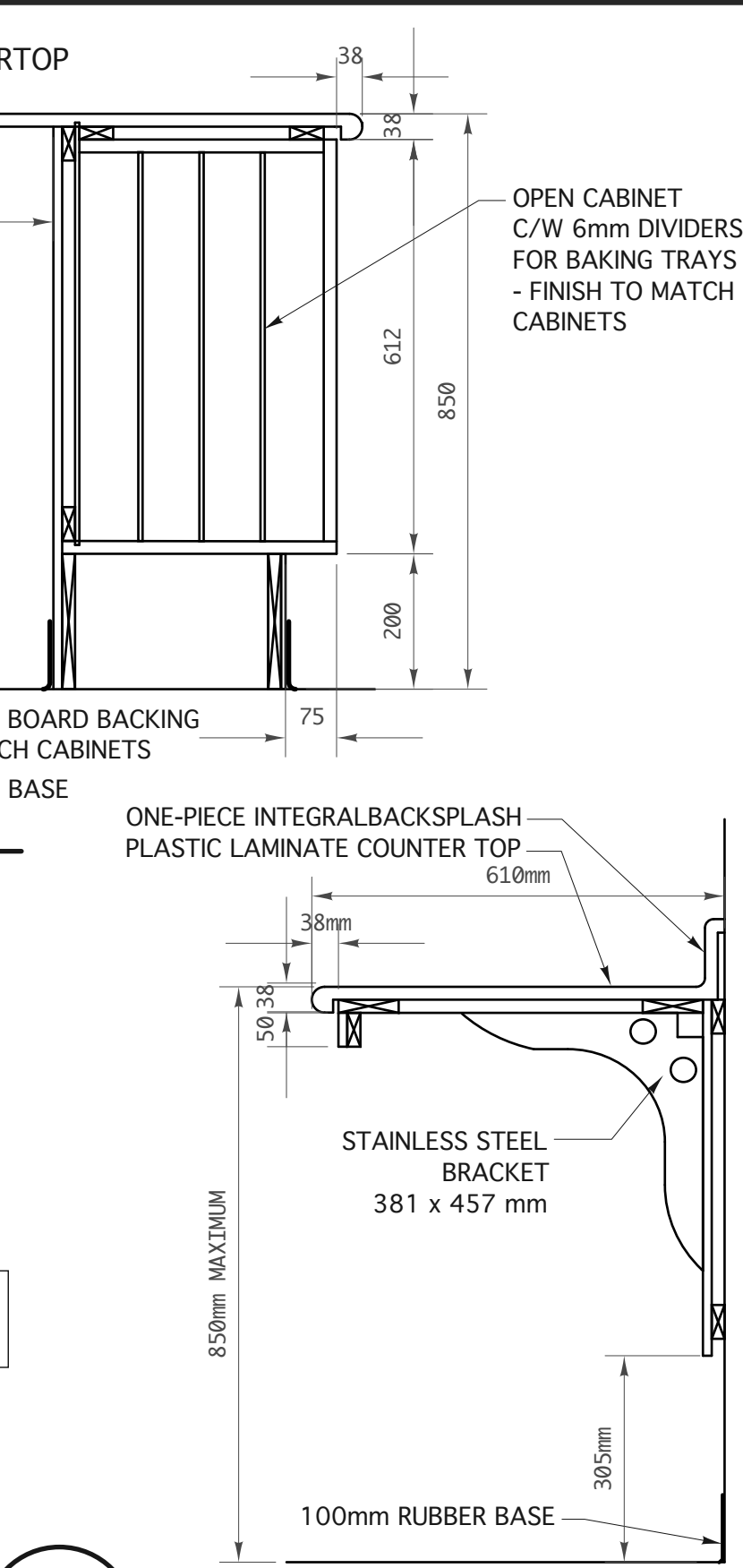
11 KITCHEN ISLAND SECTION
A-6.2 SCALE 1:10



12 PASS-THROUGH SEC @ DISPLAY CABINET
A-6.2 SCALE 1:10



9 ACCESSIBLE CABINET SECTION @ SINK
A-6.2 SCALE 1:10



13 COMPUTER DESK SECTION
A-6.2 SCALE 1:10

revision

The drawings, specifications, revisions, addendums, and clarifications, must be read as a whole. Errors and omissions due to separation of the documents by the general contractor become the responsibility of the same.

This drawing must not be scaled.

The general Contractor must verify all dimensions, datums and levels prior to commencement of work. All errors and omissions must be reported immediately to the Architect.

Variations and modifications to work shown on this drawing shall not be carried out without written permission from the Architect.



harold funk architect inc.

Harold Funk Architect Inc.
Architecture and Urban Design
401-55 Donald Street, Winnipeg, Manitoba R3C 1L8
T (204) 943-5087 info@funkarchitect.com
F (204) 949-9231 funkarchitect.com

project
WESTON MEMORIAL COMMUNITY CENTRE - RENOVATION PROJECT WINNIPEG, MANITOBA

sheet title
ELEVATIONS, MILLWORK SECTIONS & DETAILS

BID OPPORTUNITY #: 824-2014
project number: 14-004 drawing number: **A-6.2**
scale: AS SHOWN
drawn by: J.R.
approved by: H.F.
date: SEPT. 30, 2014