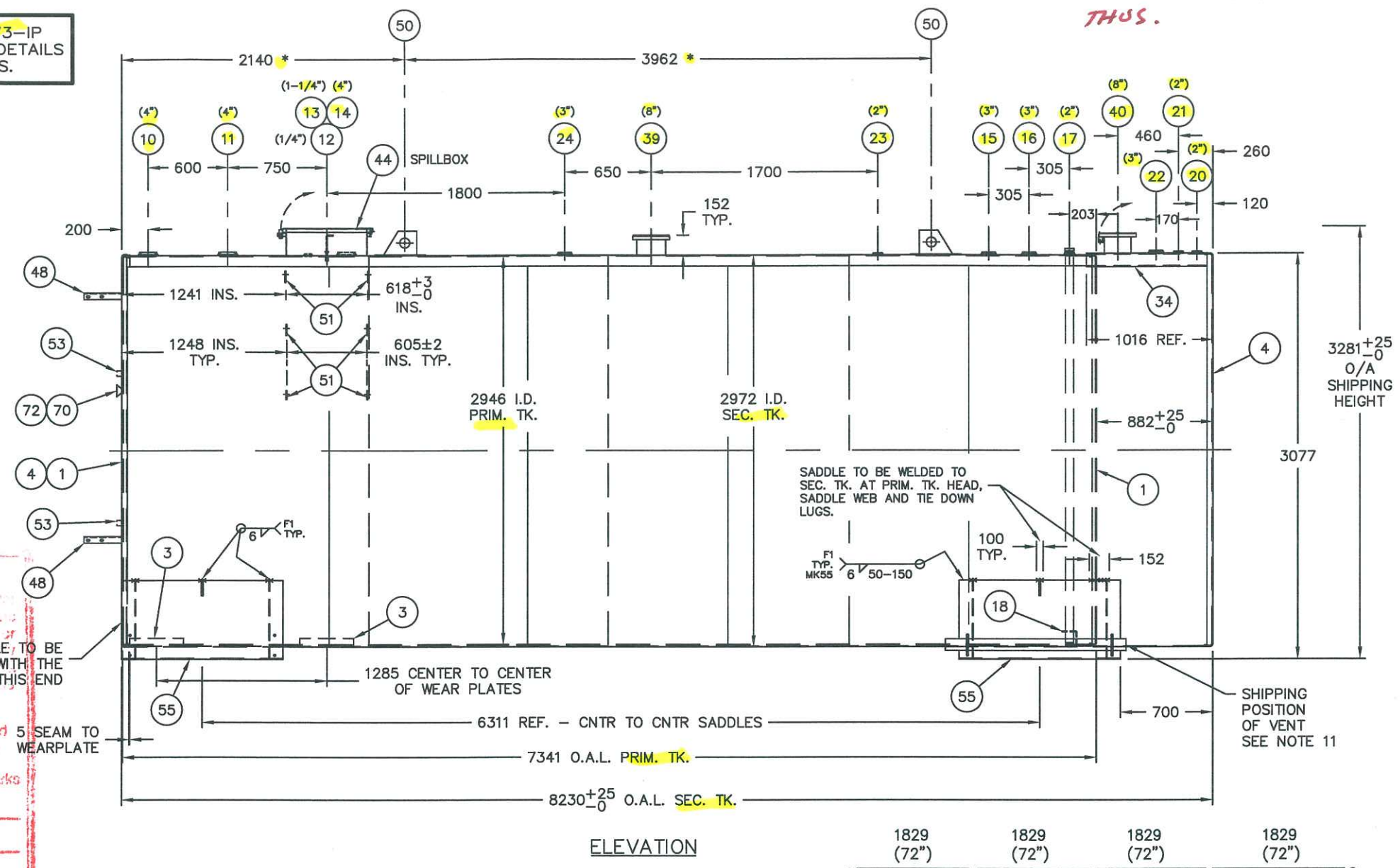
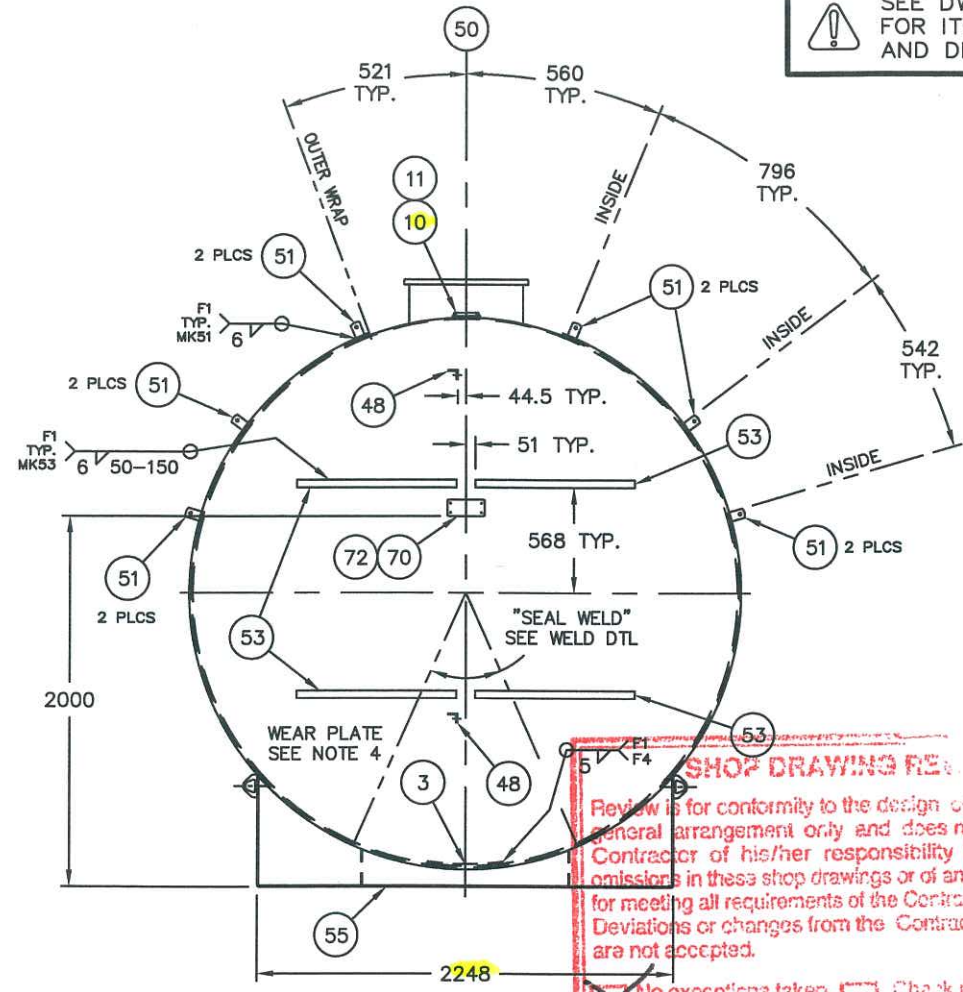


APPENDIX A

Existing Fuel Tank Shop Drawings (4 pages).

* NOTE: THREE (3) REQ'D THUS.

SEE DWG: 20373-IP FOR ITEM #48 DETAILS AND DIMENSIONS.



SHOP DRAWING REVIEW

Review is for conformity to the design or general arrangement only and does not relieve the Contractor of his/her responsibility for errors or omissions in these shop drawings or of any responsibility for meeting all requirements of the Contract. Deviations or changes from the Contract are not accepted.

No exceptions taken, except as noted

Check notations and request for review

No exceptions taken

Reject - See remarks

By: *[Signature]*

Date: 07/09/12

WARDROP ENGINEERING INC.

ALL DIMENSIONS HAVE A TOLERANCE OF ± 5mm, UNLESS OTHERWISE SPECIFIED.

- NOTES:
- AIR TEST PRIMARY TWICE BEFORE WRAPPING: 20-30 kPa (3-4 PSI)
 - Test Secondary after all welding complete (without saddles).
 - IMPORTANT: Primary has equal pressure.
 - 1 HOUR HOLD TEST ON PRIMARY AND SEC. Secondary pressure 1.5 psi less than primary. ANY PRESSURE DROP IN EITHER GAGE INDICATES A PROBLEM.
 - WELD PIPING BRACKETS TO TANK BEFORE BLASTING/PAINTING TANK.
 - WHERE POSSIBLE, STAGGER PRIMARY AND SECONDARY CIRC. SEAMS.
 - LOCATE WEAR PLATE AND SEAL WELD BEFORE CLOSING TANK.
 - * LOCATION MAY BE MOVED TO AVOID CIRC. SEAMS.
 - INTERIOR FINISH: CLEAN TANK.
 - STANDARD EXTERIOR FINISH: BLAST AND PAINT PER WESTEEL COATING WCS-2. *WHITE ENAMEL FINISH*
 - CHECK ALL INTERNAL PIPING FOR SPECIFIED CLEARANCE FROM BOTTOM OF TANK.
 - ENSURE ALL INTERNAL PIPE THREADS ARE DOPED WITH PRODUCT SUITABLE FOR FUELS.
 - INSTALL LABELS & EMERGENCY VENT GASKET AFTER PAINTING HAS BEEN COMPLETED.
 - ENSURE SURFACE IS CLEAN BEFORE APPLYING DECALS.
 - DO NOT APPLY OVER ANY SEAMS.
 - WRAP VENT RISER IN CARDBOARD & STRAP THROUGH BOLT HOLES IN SADDLE.
 - PLACE OWNER'S MANUAL & PAINT KIT IN PLASTIC BAG IN SPILL BOX.
 - ESTIMATED SHIPPING WEIGHT: 9,320 KGS (20,500 LBS).
 - VOLUME: ACTUAL CAPACITY: 50,280 litres
MAX. FILL CAPACITY: 47,700 litres

UNDERWRITERS' LABORATORIES OF CANADA LISTED
CONTAINED ABOVEGROUND TANK ASSEMBLY
FOR FLAMMABLE LIQUIDS - ULC S653

YEAR MFD. [] NO. []

HAVING A PRIMARY TANK OF 50,000 L CAPACITY
CONSTRUCTED ON ACCORDANCE WITH: S601

METAL THICKNESS HEAD 6.4 SHELL 6.4 mm DIAMETER 2946 mm
MAX. OPERATING PRESSURE 7 kPa MAX. OPERATING VACUUM 300 Pa EMERGENCY VENTING CAPACITY 201 m³/MIN

WESTEEL LTD. MFR. Serial No. []

ITEM 70 DTL

PRIMARY SHELL OFFSET DETAIL

SEE DESIGN STANDARD ES 15360_R2 FOR DECAL/STENCIL LOCATIONS

SEE DESIGN STANDARD ES 15312-W_R5 FOR WELD/INSTALLATION DETAILS FOR BOM SEE EXCEL FILE 20373_BOM.

All dimensions are in SI Units (millimeters) unless otherwise specified. Brackets [] = Imperial measure.

072972-01-01-SD-M0002 A (1 of 4)

DESND.	WESTEEL	THIS DRAWING IS THE EXCLUSIVE PROPERTY OF WESTEEL AND ALL RIGHTS ARE RESERVED. NO PART OF THIS DRAWING MAY BE USED OR REPRODUCED IN ANY MANNER WHATSOEVER WITHOUT WRITTEN PERMISSION FROM WESTEEL.	SCALE	N.T.S.	DWN. (Y.M.D.)	07.08.25	LOCATION	63
DWN.	SW		I.O.	E.P. NO.		W.O.		
CHKD.	NK	DRAWING TITLE	FV-500TK SPCL FUEL VAULT TANK		SIZE	DRAWING NO.		
APPD.	NK	CUSTOMER	J.A. ROBINSON PUMP		REV. NO.	0		
		PART #	280909C			20373		
			OSBORNE STREET LOCATION					
NO.	DATE	REVISION	E.C.R.	BY	CH.			

BILL OF MATERIAL - 3" INLOAD							
MK.	QTY.	PART No.	SIZE	RATING	DESCRIPTION	MAT'L	REMARKS
1A	1	273511	[2"Øx 8"]	-	DROP TUBE	ALUM.	CUT @ 45°
1B	1	273586	[2"Øx 3"]	-	FILL LIMITER		C&B F-35 MODIFIED
2	1	273589	[3"Ø]	STD	NIPPLE x 279 LG. - T.B.E.	A53	
3	1	264597	[4"x3"x3"]	125#	BUSHING D.T. - NPT	C.I.	
4	1	270309	[3"Ø]	STD	NIPPLE x 51 LG. - T.O.E.	A53	
5	3	530189	[3"Ø]	STD	WELD ELBOW x 90° L.R.	A234	
6	2	270309	[3"Ø]	STD	PIPE x 80 LG.	A53	
7	3	271399	[3"Ø]	150#	RFWSO FLANGE	A105	
1	1	271860	[3"Ø]	150#	c/w GASKET	TEFLON	GARLOCK GYLON 3510
4	1	530204	[Ø5/8x4.5"]	-	c/w STUD	B7	
8	1	156013	[Ø5/8]	-	c/w NUT	2H	
1	1	271430	[3"Ø]	150#	FLANGE PROTECTOR	POLY.	
8	1	270309	[3"Ø]	STD	PIPE x 2265 LG.	A53	
9	1	270309	[3"Ø]	STD	PIPE x 395 LG.	A53	
53	2	107125		-	ANG [1/4"x2"x2"] x 286 LG.	A36	SEE DETAIL MK53
55	2	434513	[3"Ø]	NPS	STD	U-BOLT w/NUTS/WASHERS	ZN PL
11	1	271447	[3"Ø]	STD	RFWN FLANGE	A105	
5	1	271860	[3"Ø]	150#	c/w GASKET	TEFLON	GARLOCK GYLON 3510
20	1	530204	[Ø5/8x4.5"]	-	c/w STUD	B7	
40	1	156013	[Ø5/8]	-	c/w NUT	2H	
1	1	271430	[3"Ø]	150#	FLANGE PROTECTOR	POLY.	
12	1	530190	[3"Ø]	STD	WELD ELBOW x 45° L.R.	A234	
18	1	-	[3"Ø]	150#	GATE VALVE	CAST STL	CRANE FIG. 47XU-F
19	1	-	[3"Ø]	150#	SWING CHECK VALVE	CAST STL	CRANE FIG. 147XU
20	1	530150	[3"Ø]	150#	BALL VALVE	WCB	ENFLOW
22	1	280711	[12"Ø]	STD	SPILL PREVENTER TANK	A53	SEE DWG: 280711
24	1	271564	[3"Ø]	NPT	3000#	HALF COUPLING	A105
25	1	016206-01	[3"Ø]	NPT	-	CAMLOCK ADAPTOR 3MxM	ALUM
26	1	273594	[3"Ø]	NPS	-	CAMLOCK DUSTCAP 3DC	ALUM
55	2	434513	[3"Ø]	NPS	STD	U-BOLT w/NUTS/WASHERS	ZN PL

RFWN A181 AS PER SPEC 15191, 2.3.4

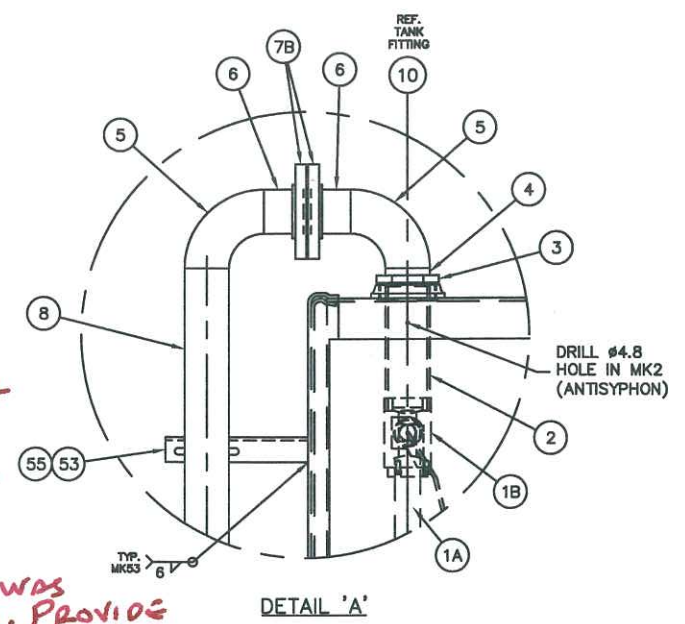
A181 AS PER SPEC 15191, 2.3.4

c/w OUTSIDE LEVER & WEIGHT PER SPEC. 15191, 2.6.2.7

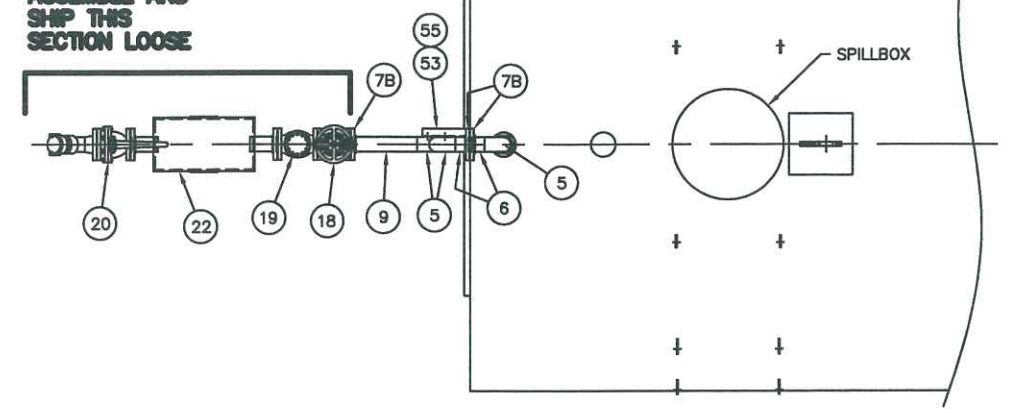
EQUAL TO SPEC WAS NOT REQUESTED. PROVIDE AS SPEC'D. 15191, 2.4.2

S.S. CONSTRUCTION SPEC 15191, 2.16.1

WHERE IS THIS?

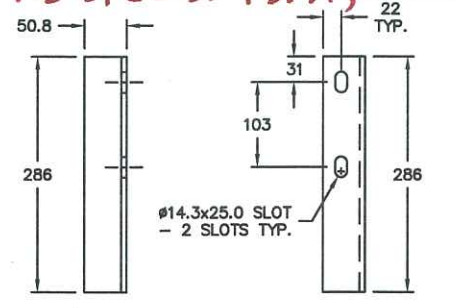


ASSEMBLE AND SHIP THIS SECTION LOOSE

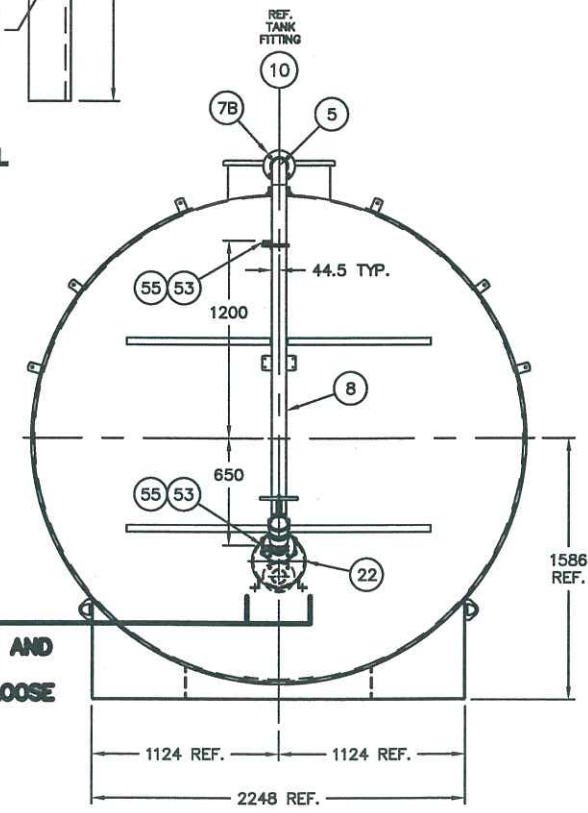


TOP VIEW

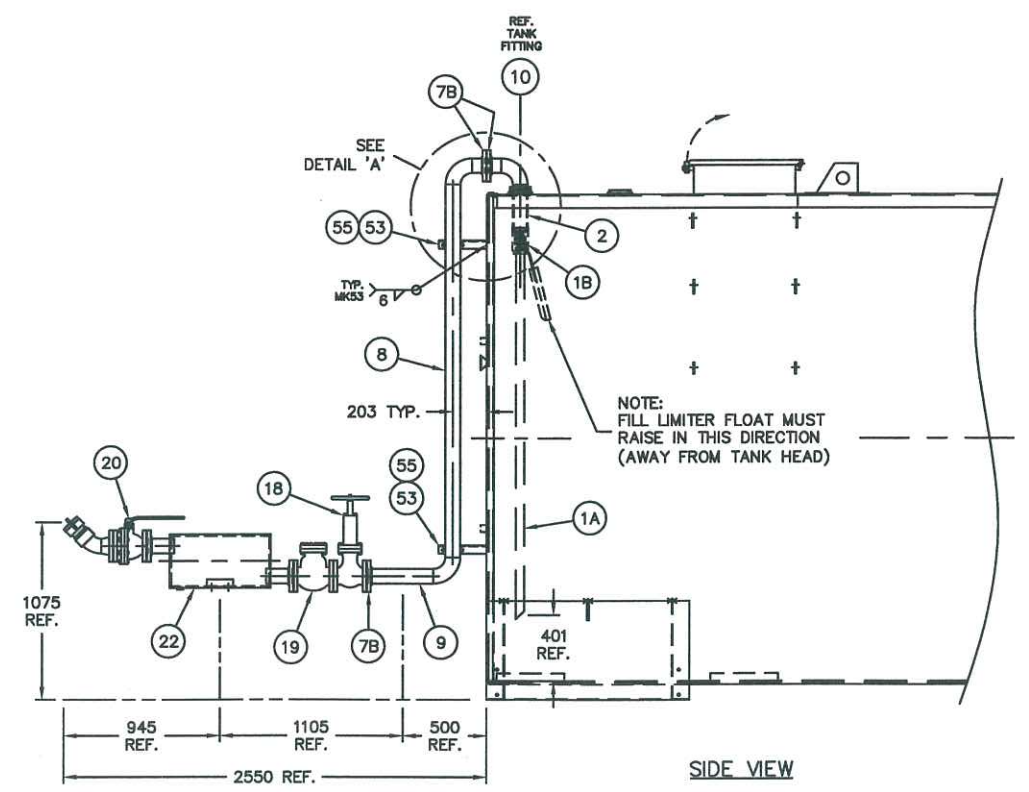
SHIP LOOSE SECTION



MK 53 DETAIL

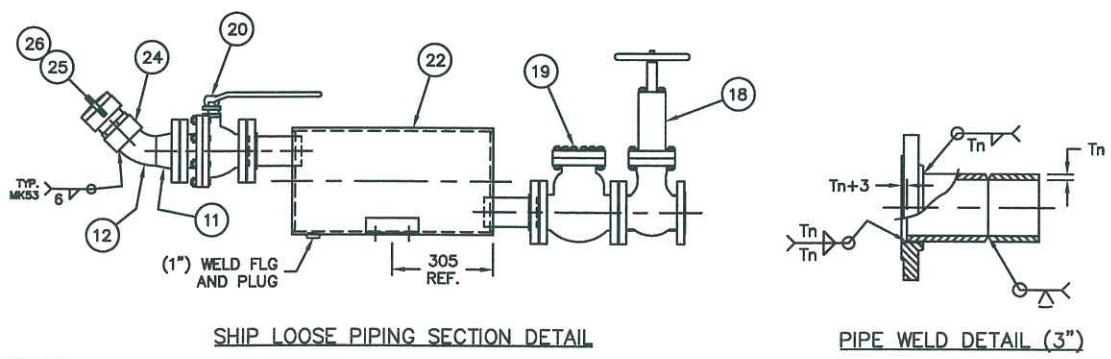


END VIEW



SIDE VIEW

ASSEMBLE BEFORE SHIPPING



- NOTES:
1. ALL THREADED PIPING TO BE SEALED WITH GASOLIA OR EQUIVALENT.
 2. FLANGE BOLT HOLES TO STRADDLE CENTERLINES.
 3. ALL PIPING TO BE PRE-ASSEMBLED - SHIP LOOSE SECTION AS SHOWN.
 4. TEST ALL PIPING TO MIN. 200 MPA (30 PSI).
 5. FINISH: SAME AS TANK.
 6. SHIP ALL LEFT OVER HARDWARE/GASKET IN CLEARLY MARKED BOX.

WELD MAP:
ALL FILLET/GROOVE WELDS PER WPDS# 312-1.
METRIC DWG - ALL DIMENSIONS IN MM - IMPERIAL UNITS IN []

ALL DIMENSIONS HAVE A TOLERANCE OF ± 3mm, UNLESS OTHERWISE SPECIFIED.

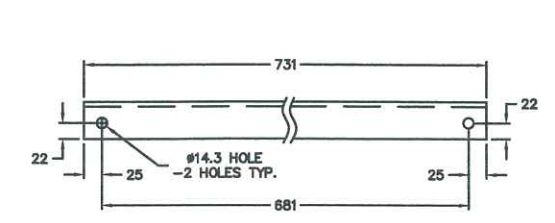
!!! IMPORTANT !!!
CHECK ALL PIPE/BACKET DIMS FOR EXACT LENGTHS BEFORE MAKING ANY CUTS.

072972-01-01-SD-M0002 A (2 of 4)

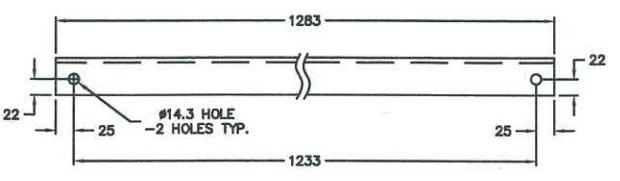
WESTEEL		THIS DRAWING IS THE EXCLUSIVE PROPERTY OF WESTEEL AND ALL RIGHTS ARE RESERVED. NO PART OF THIS DRAWING MAY BE USED OR REPRODUCED IN ANY MANNER WHATSOEVER WITHOUT WRITTEN PERMISSION FROM WESTEEL.		SCALE N.T.S.	DATE (Y.M.D.) 07.08.25	LOCATION 63
DRAWING TITLE (3") BOTTOM INLOAD SYSTEM FOR FV-500TK SPCL FUEL VAULT TANK		CUSTOMER J.A. ROBINSON PUMP OSBORNE STREET LOCATION		CLIENT	EQUIP. NO.	REV. NO. 0
NO.		DATE		DESCRIPTION		BY
CH.						
SIZE B		DRAWING NO. 20373-IP		W.O. NO. R20374		

MK	QTY	PART NO	DESCRIPTION	MAT'L	REMARKS
1	REF.	280909C	FV-500TK SPCL FUEL VAULT TANK		DWG: 20373
4	1	-	PLATFORM GRATING SECTION	A36	DWG: 20373-
6	1	-	HANDRAIL - SHORT SIDE	BLK STL	DWG: 20373-
7	1	-	HANDRAIL - LONG SIDE	BLK STL	DWG: 20373-
8	1	-	HANDRAIL - END	BLK STL	DWG: 20373-
10	1	-	KICKPLATE	A36	DWG: 20373-
12	2	107125	L - (1/4"x2"x2") x 731 LG.	44W	PLTFRM BRACE
13	2	107125	L - (1/4"x2"x2") x 1283 LG.	44W	PLTFRM BRACE
16	1	280254	STAIR STRINGER - LH (FV-500/750)		
17	1	280255	STAIR STRINGER - RH (FV-500/750)		
18	1	280362	STEP PACKAGE (FV-500/750)		
20	13	271667	BOLT - (1/2" x 2.0" LG.)	ZN PLTD	
21	14	530801	BOLT - (1/2" x 3.5" LG.)	ZN PLTD	
22	27	900215	LOCKNUT - (1/2")	ZN PLTD	
23	75	154981	WASHER - (1/2")	ZN PLTD	
30	4L	530416	BLUE URETHANE 5:1 D.T.M. PAINT		

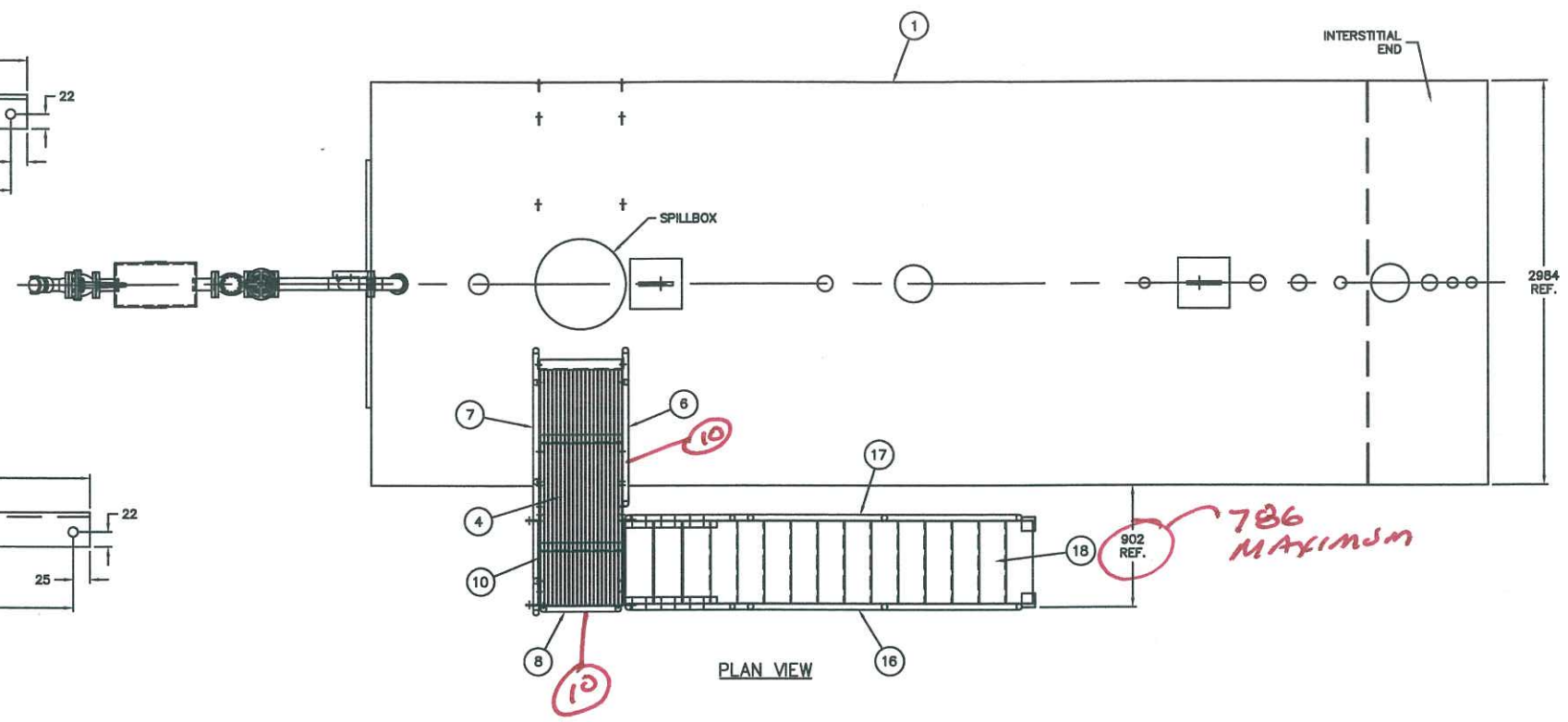
- NOTES:
1. PLATFORM ASSEMBLY TO BE TRIAL FITTED TO ENSURE FIT-UP AND MATCH MARKED IF NECESSARY.
 2. FINISH: PLATFORM BRACES (ITEMS #12 & #13) AND ALL OTHER UNFINISHED LOOSE PARTS BLASTED TO SP7 AND PAINTED WITH BLUE URETHANE 5:1 D.T.M. PAINT.
 3. HANDRAILS #6, #7 & #8 TO BE CAREFULLY WRAPPED/PROTECTED IN FOAM TO ENSURE NO PAINT DAMAGE WILL OCCUR IN TRANSIT. ASSEMBLED PLATFORM SECTION TO BE CAREFULLY WRAPPED/PROTECTED TO ENSURE NO PAINT DAMAGE WILL OCCUR IN TRANSIT. PLATFORM AND HANDRAILS ARE TO BE SHIPPED LOOSE ON THE TRUCK DECK. TAKE ALL PRECAUTIONS TO ENSURE NO PAINT DAMAGE WILL OCCUR. CAREFULLY WRAP/PROTECT PLATFORM BRACES (ITEMS #12 & #13), KICKPLATE (ITEM #10), AND STAIR ASSEMBLY. CLEARLY MARK AND SHIP THESE ITEMS LOOSE WITH TANK.
SHIP HARDWARE (THAT IS USED TO PERMANENTLY ATTACH THESE ITEMS) IN BAG IN SPILLBOX.
 4. APPROX. WEIGHT: 500 KGS, (1,100 LBS)
- PLATFORM/STAIR ASSEMBLY ONLY.



ITEM #12 DETAIL

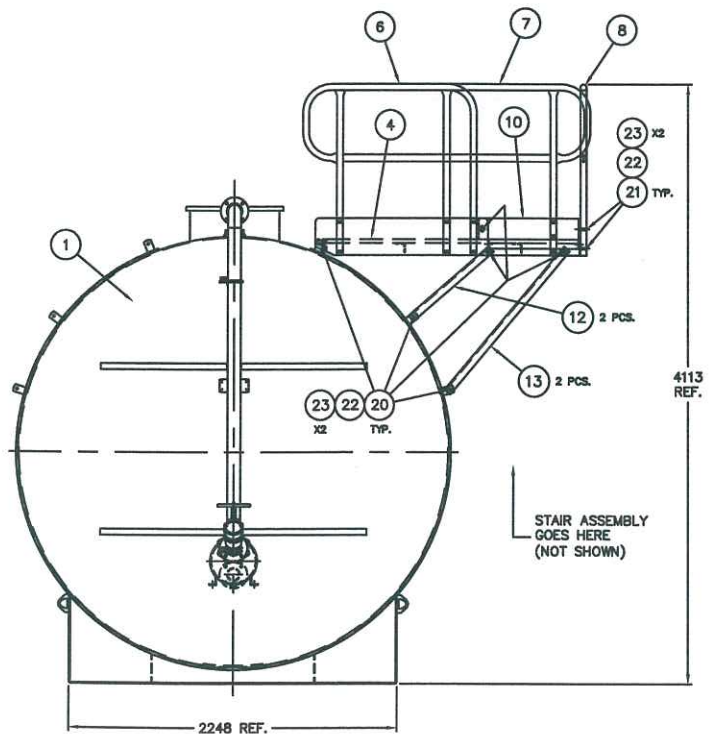


ITEM #13 DETAIL

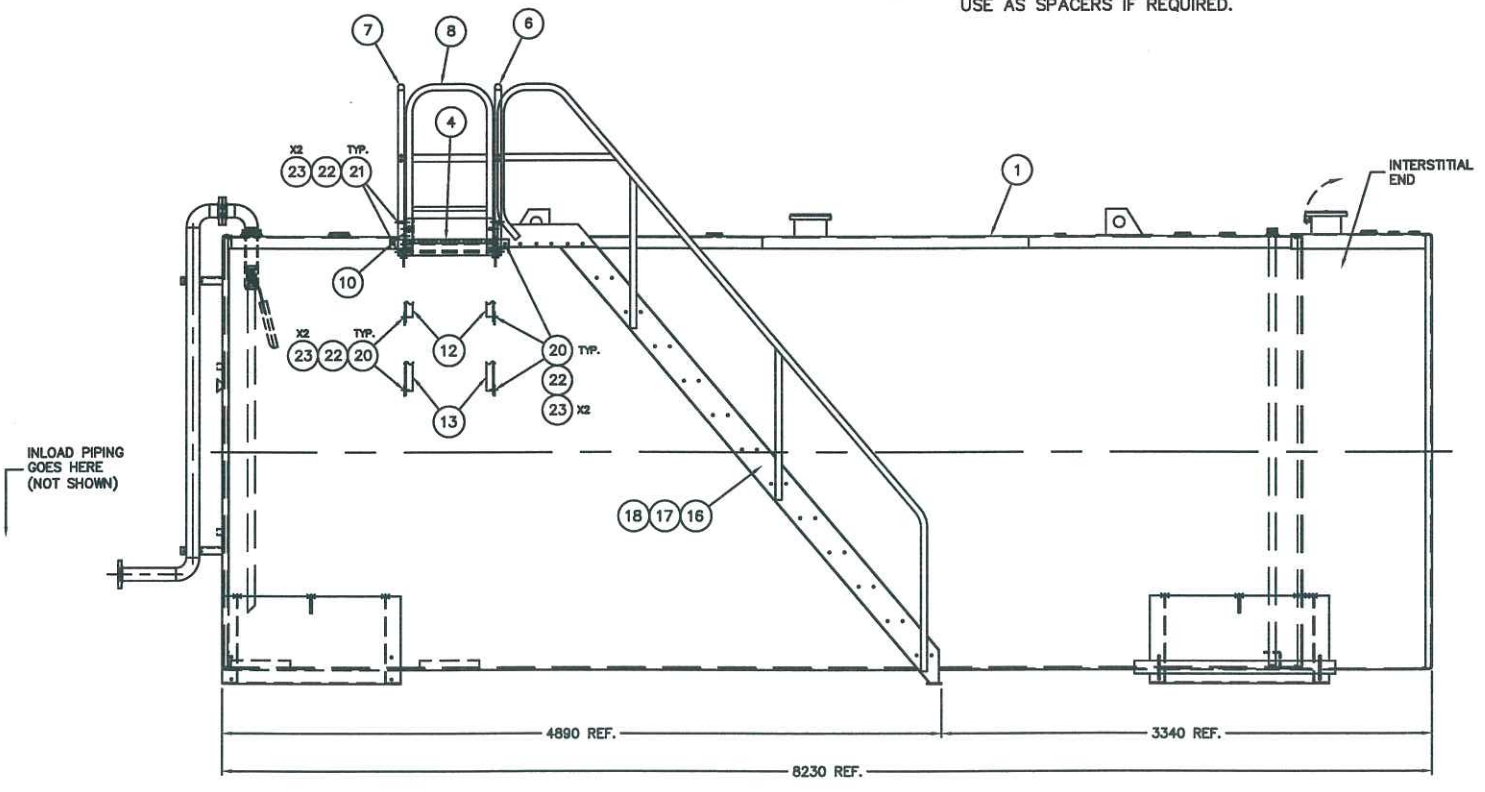


PLAN VIEW

NOTE: EXTRA WASHERS ARE PROVIDED TO USE AS SPACERS IF REQUIRED.



END ELEVATION



SIDE ELEVATION

ALL DIMENSIONS ARE IN SI UNITS (MILLIMETRES) UNLESS OTHERWISE SPECIFIED. BRACKETS [] = IMPERIAL MEASURE

072972-01-01-SD-M0002 A (3 of 4)

ALL DIMENSIONS HAVE A TOLERANCE OF ± 2mm, UNLESS OTHERWISE SPECIFIED.

ALL SHIP LOOSE ITEMS TO BE CAREFULLY PACKAGED AND VERY CLEARLY AND DISTINCTLY MARKED!!! VERY IMPORTANT!!!

DESND.				WESTEEL				THIS DRAWING IS THE EXCLUSIVE PROPERTY OF WESTEEL AND ALL RIGHTS ARE RESERVED. NO PART OF THIS DRAWING MAY BE USED OR REPRODUCED IN ANY MANNER WHATSOEVER WITHOUT WRITTEN PERMISSION FROM WESTEEL.				SCALE N.T.S.		DWN. (Y.M.D.) 07.08.25		LOCATION 63											
DWN. SW				DRAWING TITLE				SPCL PARALLEL STAIR ASSY FOR FV-500TK SPCL FUEL VAULT TANK				SIZE B		DRAWING NO. 20373-SA		REV. NO. 0											
CHKD. NK				CUSTOMER				J.A. ROBINSON PUMP OSBORNE STREET LOCATION				PART #															
APPD.				NO.				DATE				REVISION				E.C.R.				BY				CH.			

PROVIDE VENT PIPE
w/ VENT CAP

FV-500TK SPCL FUEL VAULT TANK w/ SADDLES															
BILL OF MATERIAL															
REV	ITEM	P. NO.	DESCRIPTION	QTY	* SIZE	COMMENTS/MTL.	WT.	REV	ITEM	P. NO.	DESCRIPTION	QTY	* SIZE	COMMENTS/MTL.	WT.
PRIMARY								FILL / VENT DEVICES							
	1	280217	PRIMARY HEAD	2	.250" x116.0" O.D.	TYPE: FLG&OFF.	800		31	281066	SPILL BOX LID	1	FOR 24" O.D.	A569	20
	2	105628	PRIMARY SHELL	4	.250" x72.0" x367.0"	TYPE: OFFSET	1875								
	3	280266	WEAR PLATE	2	.250" x16.0" x16.0"		20		34	280263	SEC. END COVER PLATE	1	.188" x43.0" x40.0"	A36	95
SECONDARY															
	4	280218	SECONDARY HEAD	2	.250" x117.0" O.D.	TYPE: FLG&OFF.	810		35	150244	BOLT HCS	1	5/16" x 4.5"	GR. 5 ZN PL	0.1
	5	105647	SECONDARY SHELL	3	.250" x60.0" x327.0"		1395		36	900480	BOLT HCS	3	5/16" x 1"	GR. 5 ZN PL	0.05
		105648	SECONDARY SHELL	2	.250" x72.0" x327.0"	TYPE: OFFSET	1670		37	193733	WASHER FLAT	3	5/16"	ZN PL	0.05
									38	900225	NUT HEX	4	5/16" N.I.	GR. 5 ZN PL	0.01
									39	271985	EMERGENCY VENT	1	8"		55
									40	271985SI	EMERGENCY VENT w/ I.C.	1	8"		40
FITTINGS															
									43	280165	VENT PIPE - PAINTED	1	3" x 48.0" LG. - T.O.E.	A53	32
									44	281065	SPILL BOX	1	24" O.D.	A36	105
	10	271409	WELD FLANGE	1	4" NPT	A181 (BTM FILL)	3	LIFT AND ATTACHMENT LUGS							
			INLOAD PIPING	1	3"	DWG: 20373-IP	350								
	11	271409	WELD FLANGE	1	4" NPT	A181 (SPARE)	3	48			ANGLE BRACKET		REF.	DWG: 20373-IP	3
		272547	PLUG	1	4" NPT	C.I.	3.5	50	271911		LIFT LUG	2		A36	15
	12	266190	COUPLING - FULL		1/4" NPT - REF.	3000# / A105			280183		LIFT LUG REPAD	2	.313" x15" x15"	A283C/A36	25
		280145	DRAIN PLUG ASSEMBLY	1		BRASS	0.2		280225		STAIR AND LADDER LUG	12		A36	0.5
		272211	LUG		REF.	A569			53	280417	FLEXIBAR	4	1-5/8" x 34" LG.	ZN PL	5.5
		280128	RETAINING CLIP	1			0.2	SKID AND ACCESSORIES							
	13	271325	WELD FLANGE	1	1-1/4" NPT - REF.	A181 (SPILL BOX)	1.2								
		272531	PLUG	1	1-1/4" NPT	C.I.	1.3								
	14	271409	WELD FLANGE	1	4" NPT - REF.	A181 (SPILL BOX)	3	55	280906		SADDLE ASSEMBLY	2		A36	560
		273436	VENT PLUG	1	4" NPT	P.V.C.	0.2								
	15	271397	WELD FLANGE	1	3" NPT	A181 (SUCTION)	2.5		62	198902	MANUAL & GAUGE CHART	1			0.1
		272543	PLUG	1	3" NPT	C.I.	3		63	272715	TOUCH UP PAINT KIT	1	WHITE / BLUE		2
	16	271397	WELD FLANGE	1	3" NPT	A181 (LINE IN)	2.5	LABELS AND DECALS							
		272543	PLUG	1	3" NPT	C.I.	3								
	17	271327	WELD FLANGE	1	2" NPT	A181 (W.D.O.)	2	70	272117		LABEL	1	ULC S653	BRASS	0.2
		271820	REDUCING BUSHING	1	2" x 1-1/2" DBL.TAP	MALLEABLE IRON	2.2		72	277796	LABEL HOLDER	1		A569	1
		280169	WAT.DRWOFF PIPE ASSY	1	1-1/2" STD x 116.4" LG.	A53 - T.O.E. ASSY	27		73	236505	RIVET	4	3/16" DIA		0.01
		272537	PLUG	1	1-1/2" NPT	C.I.	1.5		74	280193	DECAL	2	FUEL VAULT	5 YR VINYL	0.1
	18	280180	WAT. DRAWOFF BRACKET	1	.25" x4.0" x8.0"	A36 - FLAT BAR	2.5		75	276700	DECAL	2	IGNITION	5 YR VINYL	0.1
									76	276702	DECAL	2	LIFT HERE	5 YR VINYL	0.1
	20	271327	WELD FLANGE	1	2" NPT	A181 (INTR. INST.)	2		77	272816	DECAL	1	CONSULT AUTHORITY	5 YR VINYL	0.1
		272539	PLUG	1	2" NPT	C.I.	2		78	530627	DECAL	2	EMPTY WEIGHT	5 YR VINYL	0.1
	21	271327	WELD FLANGE	1	2" NPT	A181 (INTR. DRAIN)	2		80	277842	DECAL	1	CONTAIN..INSP..	5 YR VINYL	0.1
		272539	PLUG	1	2" NPT	C.I.	2	SHIP LOOSE ITEMS							
	22	271397	WELD FLANGE	1	3" NPT	A181 (SPARE)	2.5								
		272543	PLUG	1	3" NPT	C.I.	3	100	273443		GAUGE STICK	1	12"	HARDWOOD	
	23	271327	WELD FLANGE	1	2" NPT	A181 (RELIEF IN)	2	PAINT - EXTERIOR							
		272539	PLUG	1	2" NPT	C.I.	2								
	24	271397	WELD FLANGE	1	3" NPT	A181 (VENT)	2.5				PRIMER (LITERS)	40	GREY EPOXY	2-PART	1
		272543	PLUG	1	3" NPT	C.I.	3				PAINT (LITERS)	38	WHITE URETHANE	5:1 D.T.M.	1

1 - BLUE
1 - WHITE

* All dimensions in INCHES unless otherwise mentioned.
Refer to ENG. STD. DRAWING ES15312 for assy details.

REV	DATE	ECR	BY	CHK	App.	Dwn. SW	Chk. NK	J.A. ROBINSON PUMP	P.N.	280909C	MODEL	FV-500TK
								R20373	REV:	0	TOTAL WT. (LBS)	20373
								OSBORNE STREET LOC'N	DATE	07.08.25	BRANCH	63

072972-01-01-SD-M0002 A (4 of 4)