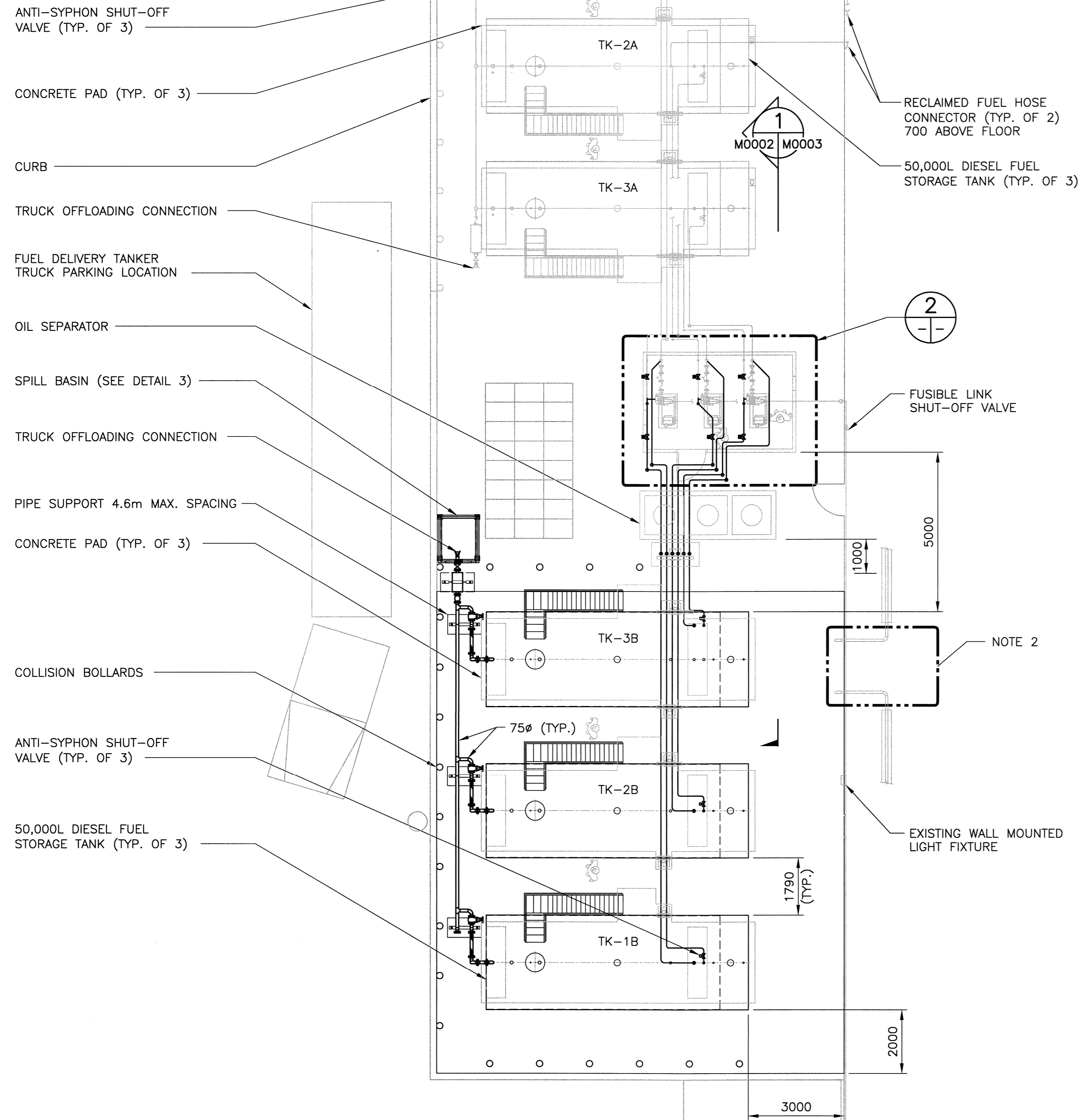
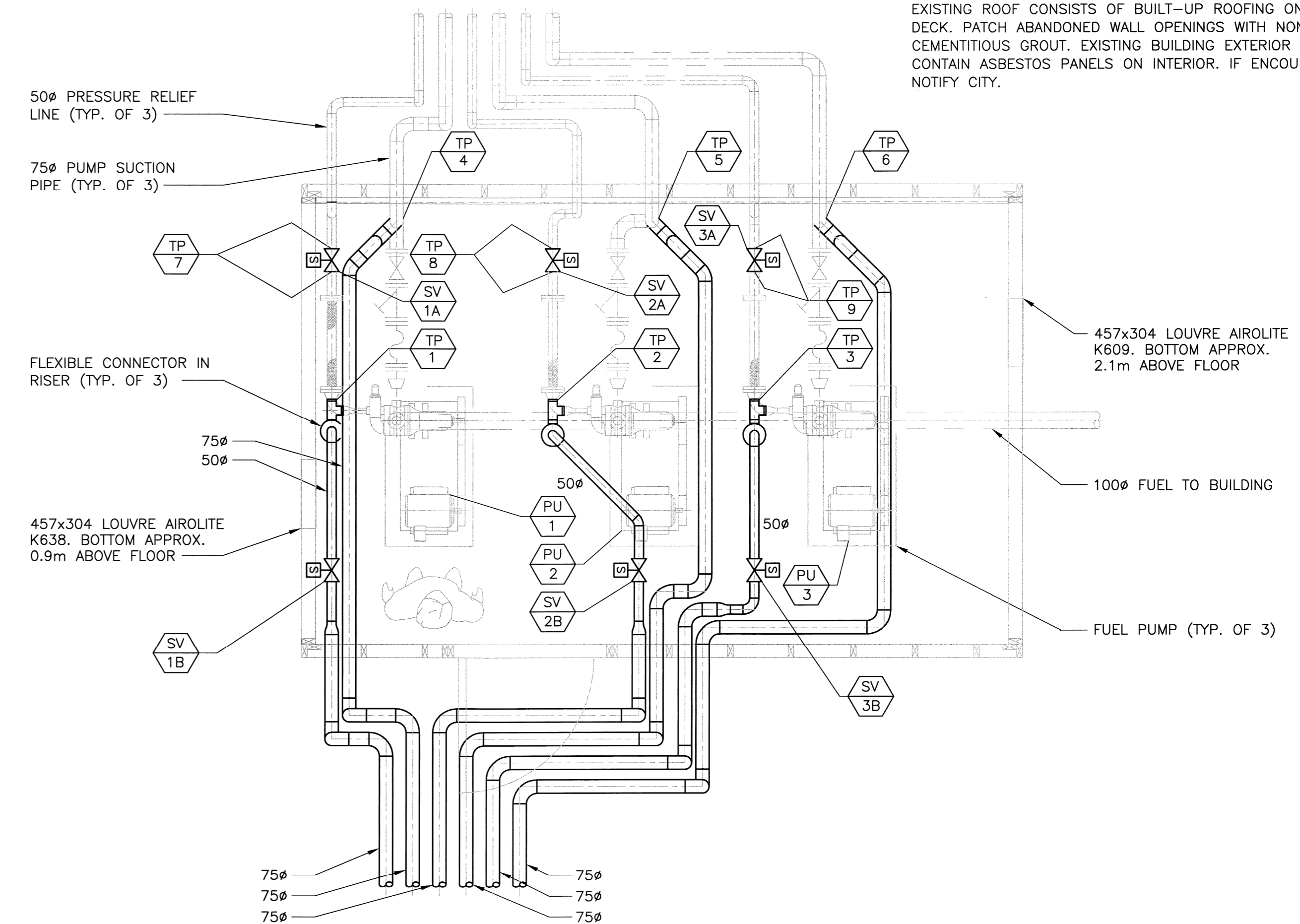


NOTES:

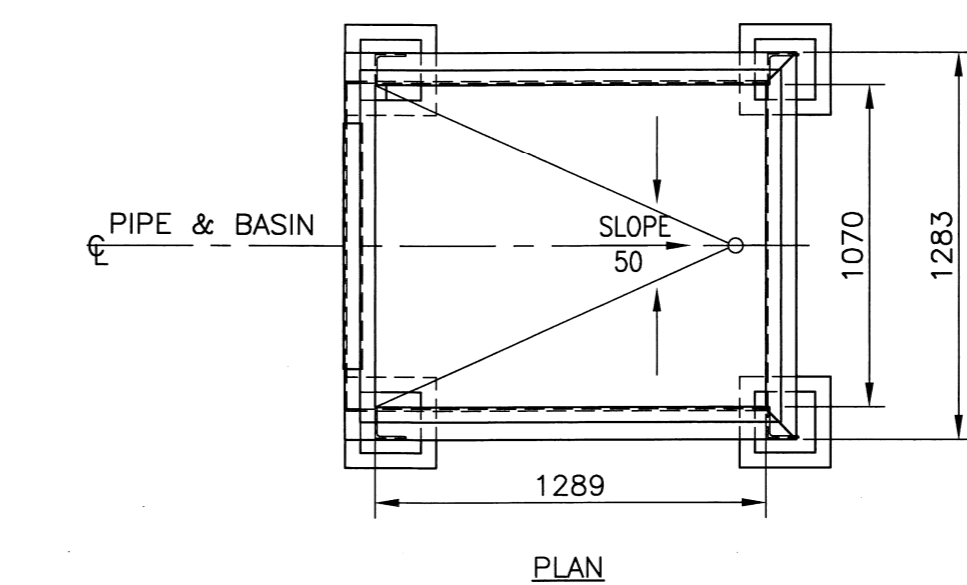
1. LIGHT LINEWORK INDICATES EXISTING CONSTRUCTION;
HEAVY LINEWORK INDICATES NEW CONSTRUCTION.
2. RE-DIRECT FLUE GASSES FROM EXISTING GAS-FIRED RADIANT HEATERS THRU ROOF IN COMPLIANCE WITH LOCAL GAS CODES AND REGULATIONS. PROVIDE A SINGLE FLUE VENT FOR BOTH HEATERS c/w RAINCAP, FLASHING, COUNTER-FLASHING, MIN. 300 HIGH ROOF CURB, ROOF CUTTING AND PATCHING, ETC. EXISTING ROOF CONSISTS OF BUILT-UP ROOFING ON A STEEL DECK. PATCH ABANDONED WALL OPENINGS WITH NON-SHRINK CEMENTITIOUS GROUT. EXISTING BUILDING EXTERIOR WALL MAY CONTAIN ASBESTOS PANELS ON INTERIOR. IF ENCOUNTERED NOTIFY CITY.



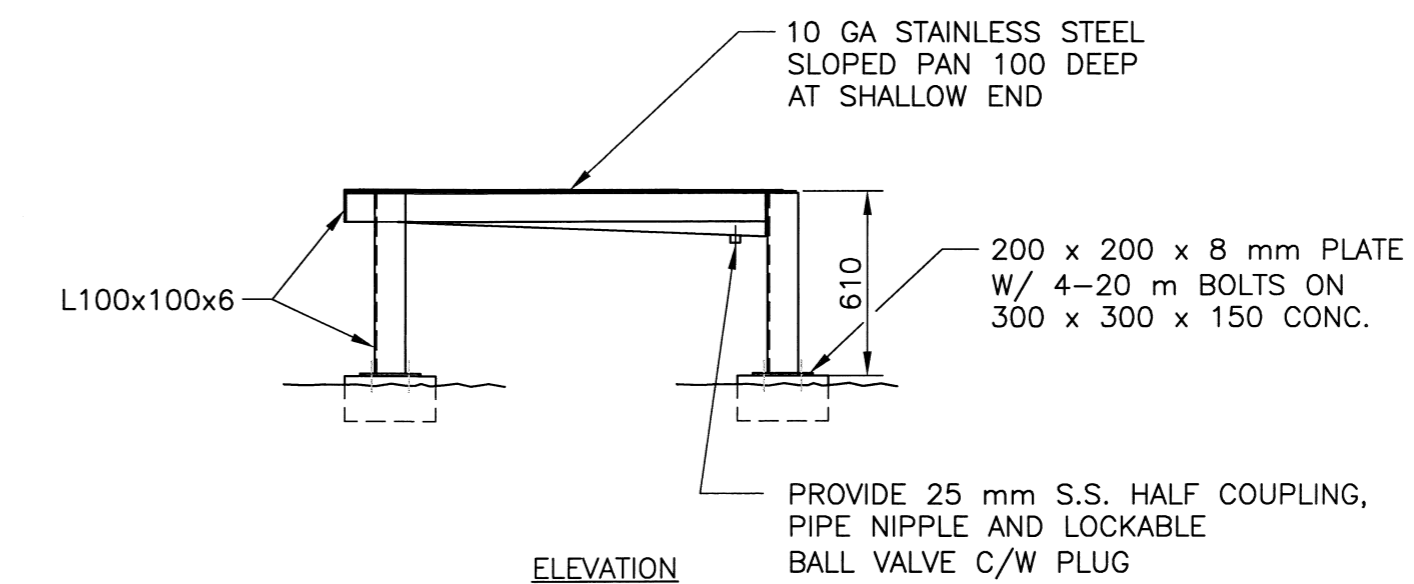
1
PARTIAL PLAN
1:100



2
PUMPHOUSE ENLARGED VIEW
1:25

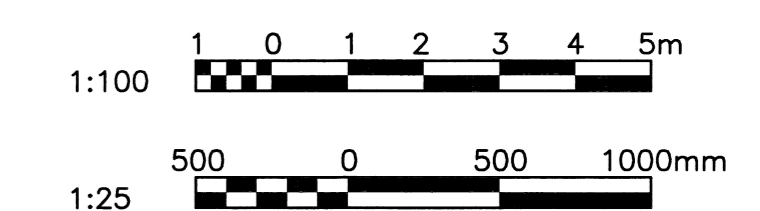


PLAN



ELEVATION

3
SPILL BASIN
1:25



NO.	DESCRIPTION	NO.	DATE	ISSUED FOR CONSTRUCTION	D.D.	R.C.L.	R.C.L.	
00		14.09.05	ISSUED FOR CONSTRUCTION	D.D.	R.C.L.	R.C.L.		
NO.	DESCRIPTION	NO.	DATE	DISCUSSION	PREPARED	REVIEW	DESIGN	AUTHORIZE
	REFERENCE DRAWINGS				DRAFTING		ENGINEERING	

DESIGNED BY:	R.C.L.
PREPARED BY:	D.D.
REVIEWED BY:	R.C.L.
DATE:	14.05.14
SCALE:	AS NOTED

PERMIT STAMP

THE CONTENT OF THIS DOCUMENT IS NOT INTENDED FOR THE USE OF NOR IS IT INTENDED TO BE RELIED UPON BY ANY PERSON, FIRM OR CORPORATION OTHER THAN THE CLIENT AND TETRA TECH WEI Inc. (Tetra Tech). TETRA TECH WEI Inc. (Tetra Tech) DENIES ANY LIABILITY WHATSOEVER TO OTHER PARTIES FOR DAMAGES OR INJURY SUFFERED BY SUCH THIRD PARTY ARISING FROM THE USE OF THIS DOCUMENT BY THEM, WITHOUT THE EXPRESSED WRITTEN AUTHORITY OF TETRA TECH WEI Inc. (Tetra Tech) AND OUR CLIENT. THIS DOCUMENT IS SUBJECT TO FURTHER RESTRICTIONS IMPOSED BY THE CONTRACT BETWEEN THE CLIENT AND TETRA TECH WEI Inc. (Tetra Tech) AND THESE PARTIES' PERMISSION MUST BE SOUGHT REGARDING THIS DOCUMENT IN ALL OTHER CIRCUMSTANCES.

CITY OF WINNIPEG
TRANSIT DEPARTMENT

TETRA TECH
Complex World
Clear Solutions

PROJECT NAME:	CITY OF WINNIPEG - FORT ROUGE GARAGE DIESEL FUEL STORAGE CAPACITY INCREASE
DRAWING DESCRIPTION:	MECHANICAL PLANS
DRAWING NO.:	1429720100-DWG-M0002
REV:	00

A1 (841, 5, 594)