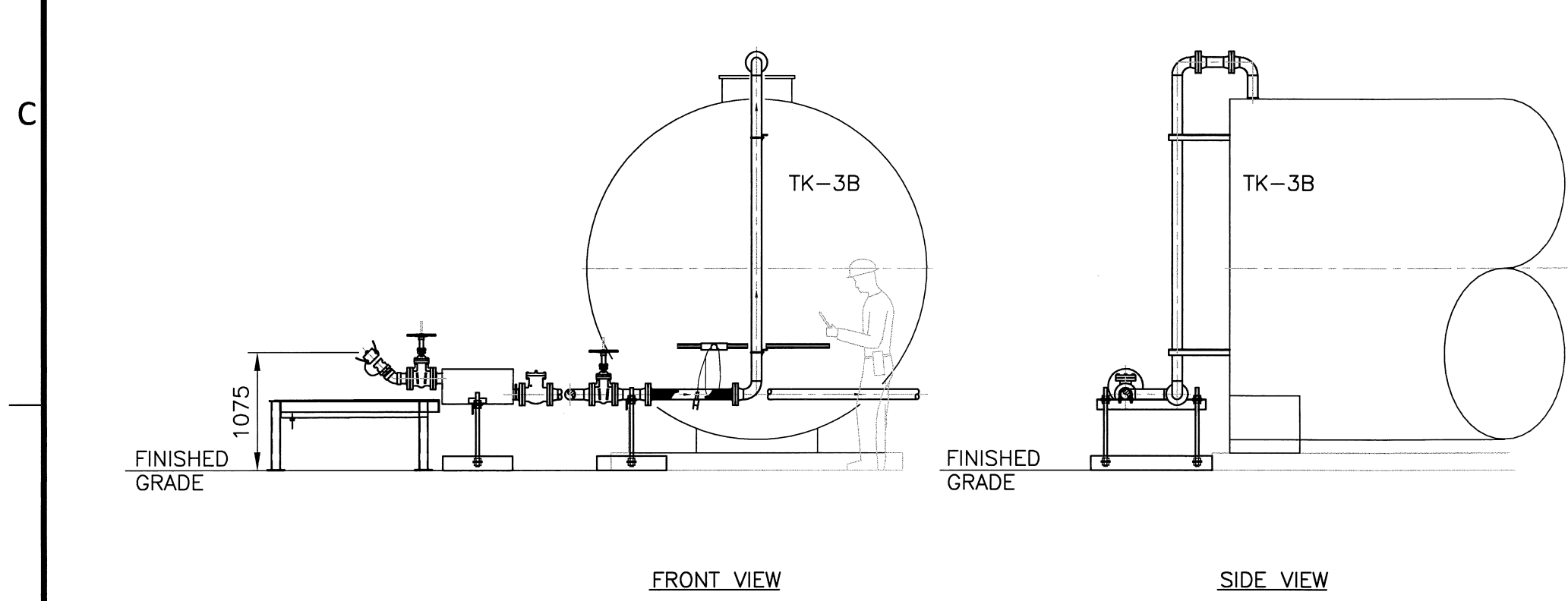
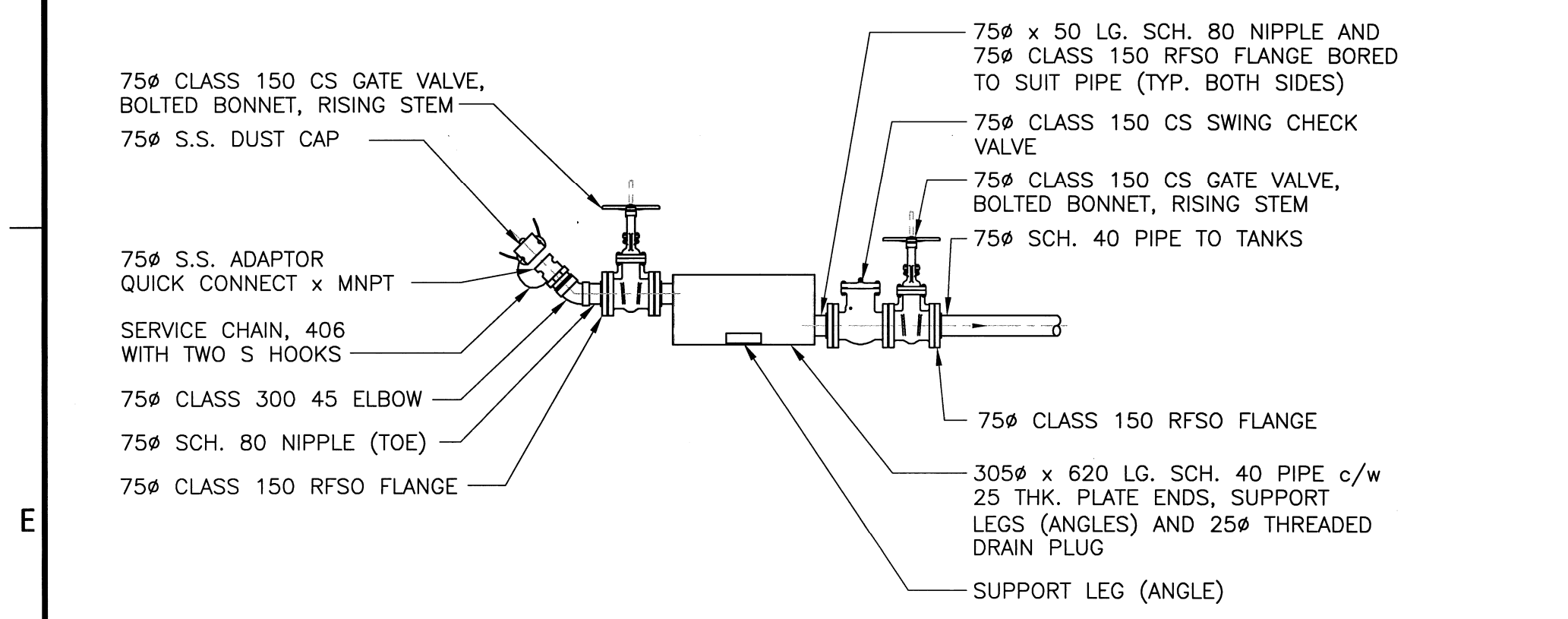


NOTE: LIGHT LINEWORK INDICATES EXISTING CONSTRUCTION;
HEAVY LINEWORK INDICATES NEW CONSTRUCTION.

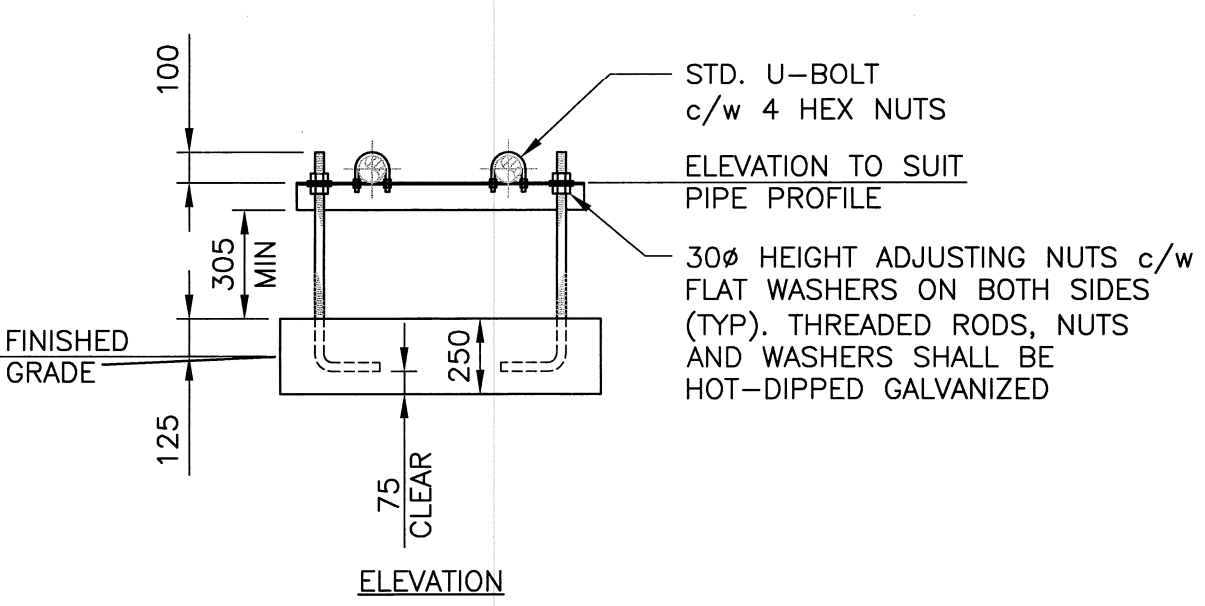
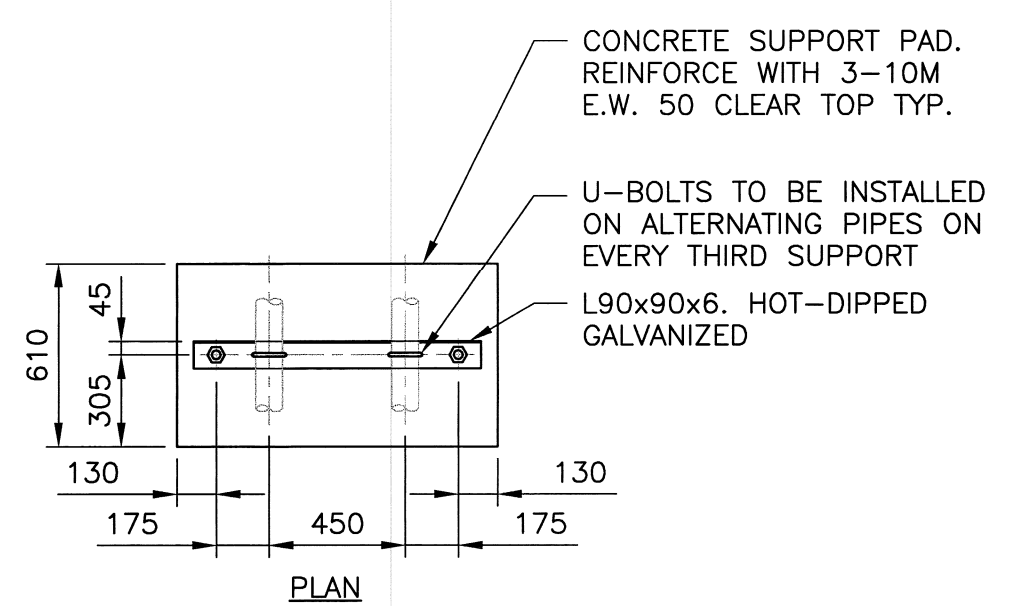


2 TANK FILL PIPING
1:50

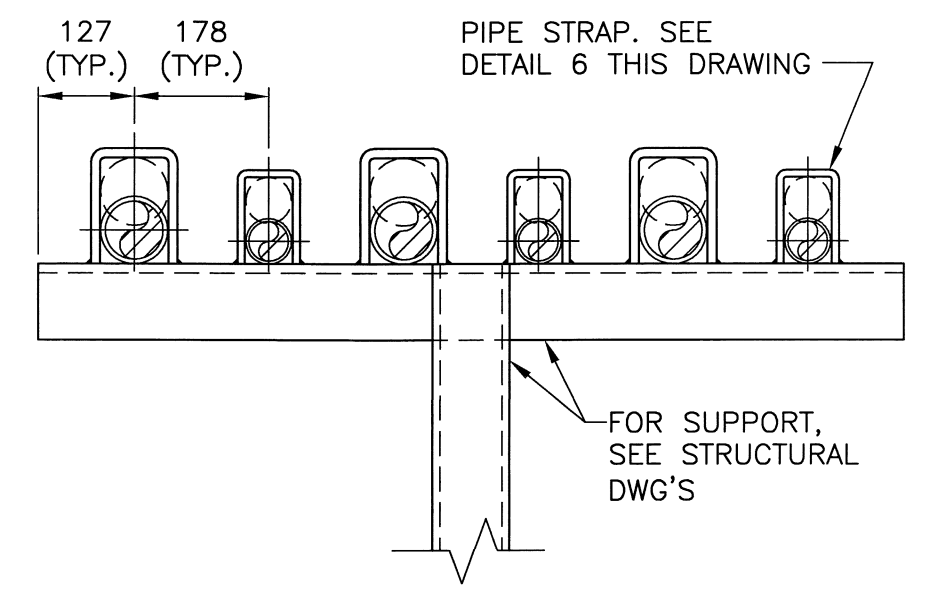


3 TRUCK OFFLOADING CONNECTION DETAIL
1:25

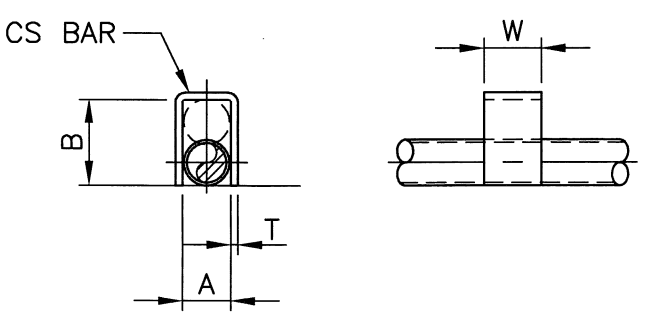
1 SECTION
M0002 M0003 1:25



4 TYPICAL OUTDOOR SUPPORT DETAIL FOR PIPING NEAR GRADE LEVEL
1:25

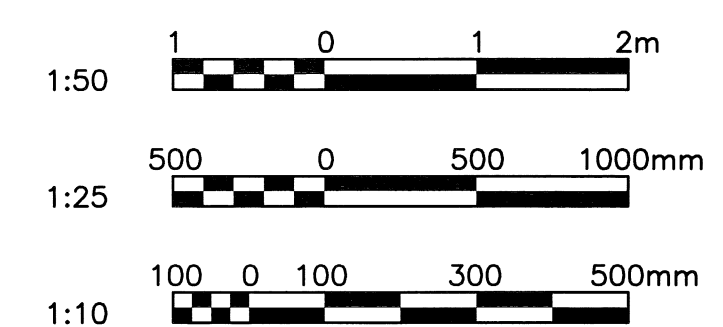


5 TYPICAL OUTDOOR SUPPORT DETAIL FOR ELEVATED PIPING
1:10



PIPE SIZES (NPS)	A	B	T	W
2	64	115	9.5	76
3	91	140	13	100

6 PIPE STRAP DETAIL
1:10



<p>NO. DESCRIPTION</p>				<p>NO. DATE DESCRIPTION</p>				<p>NO. DATE DESCRIPTION</p>			
<p>1</p>				<p>2</p>				<p>3</p>			

<p>DESIGNED BY: R.C.L.</p> <p>PREPARED BY: D.D.</p> <p>REVIEWED BY: R.C.L.</p> <p>DATE: 14.05.14</p> <p>SCALE: AS NOTED</p>	<p>CLIENT: CITY OF WINNIPEG TRANSIT DEPARTMENT</p> <p>PROJECT NAME: CITY OF WINNIPEG - FORT ROUGE GARAGE DIESEL FUEL STORAGE CAPACITY INCREASE</p> <p>DRAWING DESCRIPTION: MECHANICAL SECTION AND DETAILS</p> <p>DRAWING NO: 1429720100-DWG-M0003</p>
---	---

APEGN

Certificate of Authorization

TETRA TECH WEI Inc.

No. 5313 Date: April 30, 2015

THE CONTENT OF THIS DOCUMENT IS NOT INTENDED FOR THE USE OF, NOR IS IT INTENDED TO BE RELIED UPON BY ANY PERSON, FIRM OR CORPORATION OTHER THAN THE CLIENT AND TETRA TECH WEI Inc. (Tetra Tech). TETRA TECH WEI Inc. (Tetra Tech) DENIES ANY LIABILITY WHATSOEVER TO OTHER PARTIES FOR DAMAGES OR INJURY SUFFERED BY SUCH THIRD PARTY ARISING FROM THE USE OF THIS DOCUMENT BY THEM, WITHOUT THE EXPRESSED WRITTEN AUTHORITY OF TETRA TECH WEI Inc. (Tetra Tech) AND OUR CLIENT. THIS DOCUMENT IS SUBJECT TO FURTHER RESTRICTIONS IMPOSED BY THE CONTRACT BETWEEN THE CLIENT AND TETRA TECH WEI Inc. (Tetra Tech) AND THESE PARTIES' PERMISSION MUST BE SOUGHT REGARDING THIS DOCUMENT IN ALL OTHER CIRCUMSTANCES.

TETRA TECH

Complex World Clear Solutions