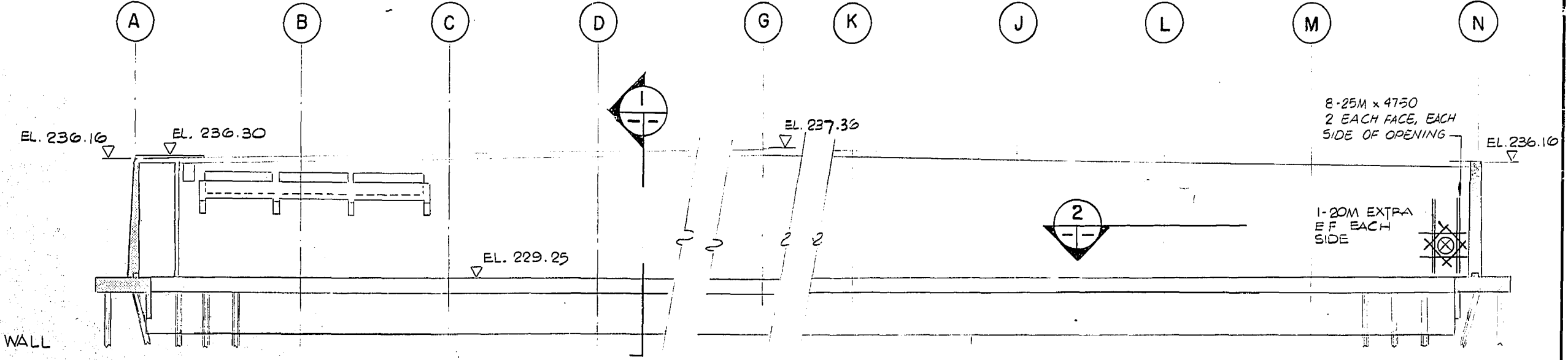
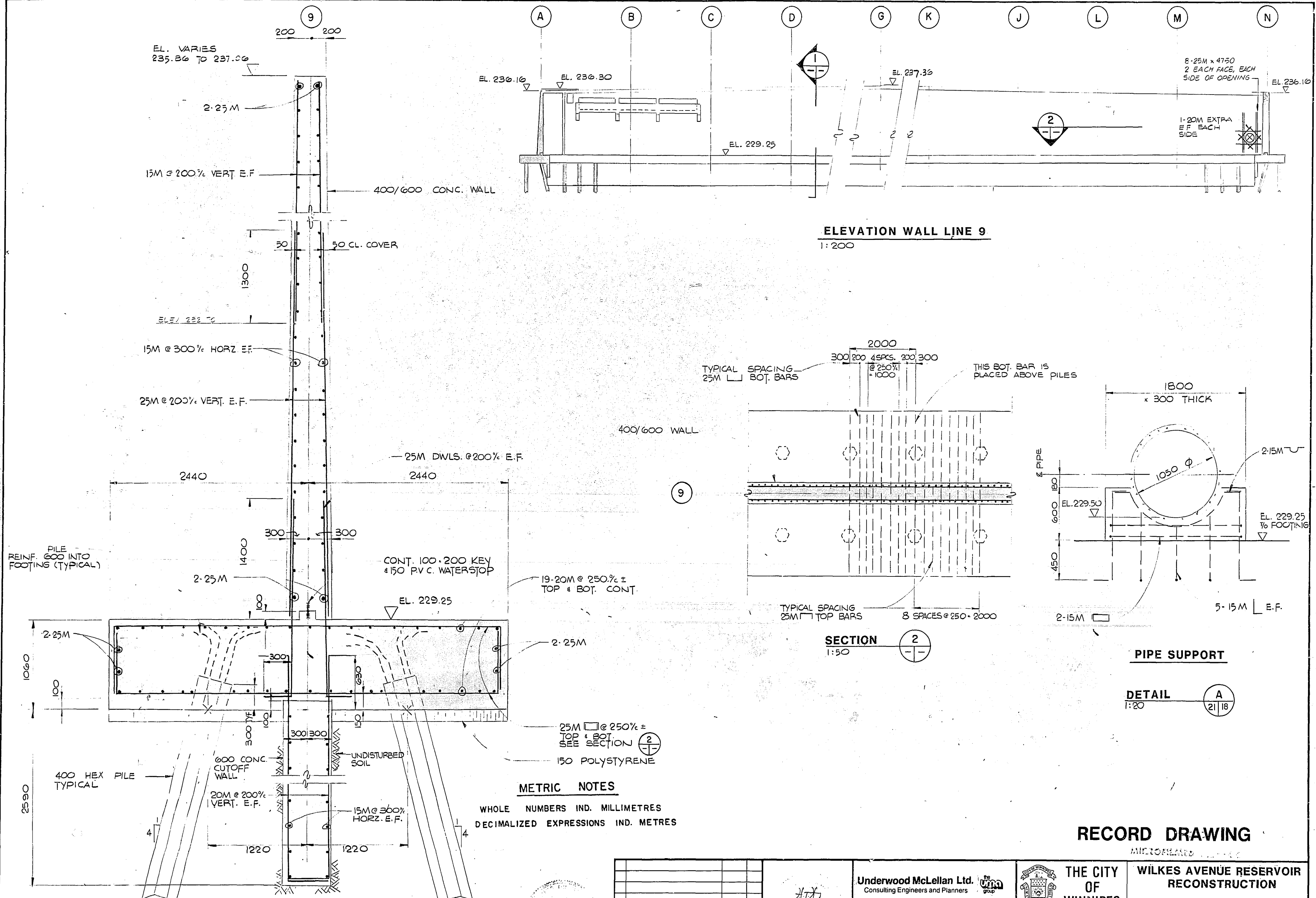
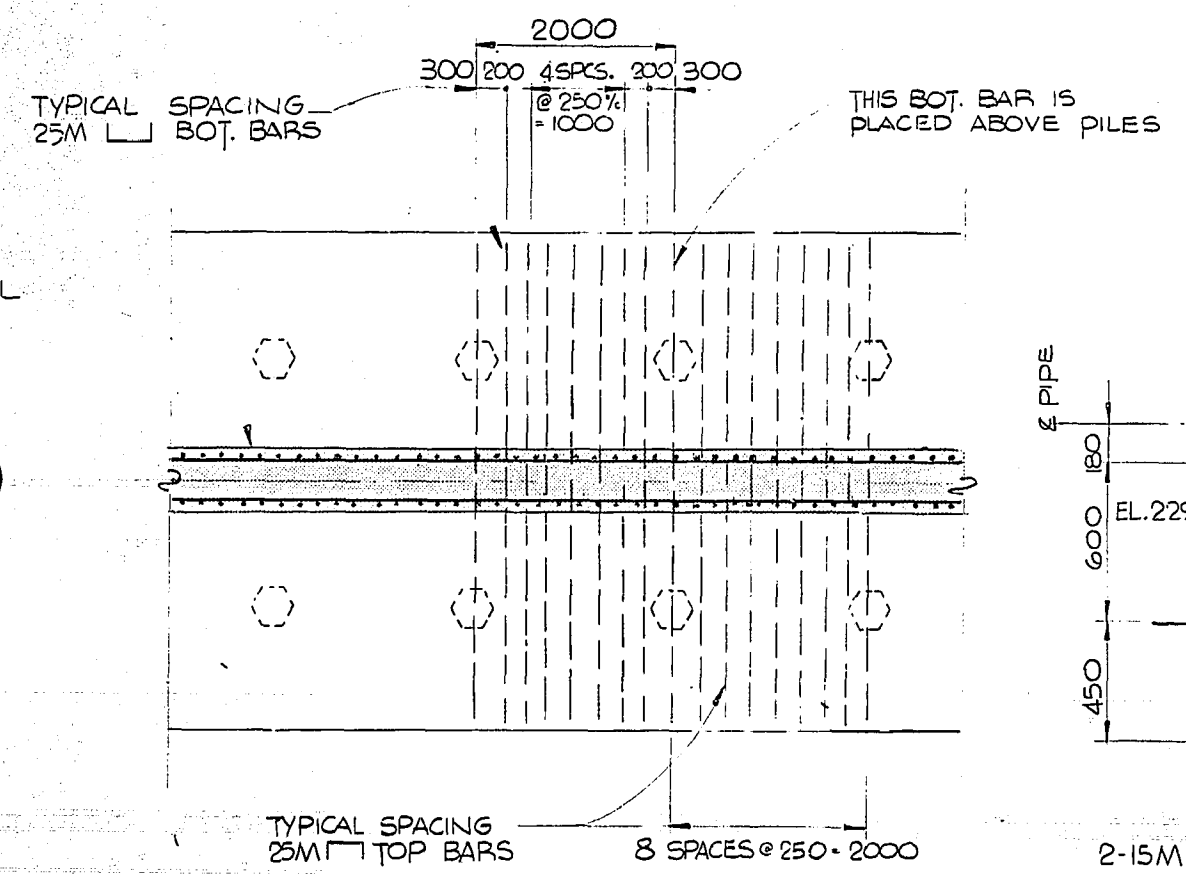


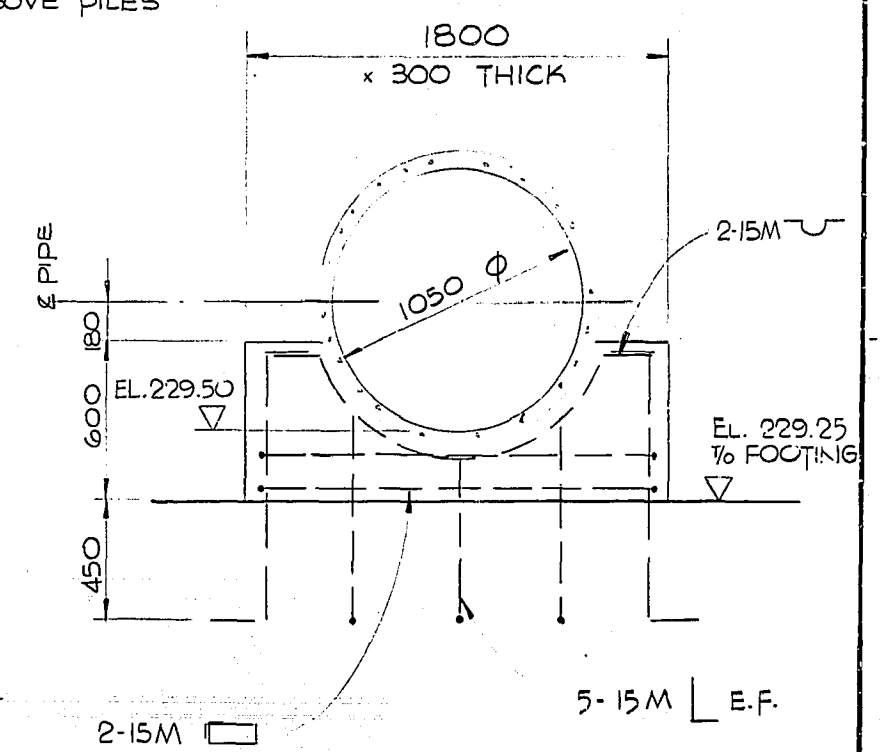
EL. VARIES
235.26 TO 237.06



ELEVATION WALL LINE 9
1:200



SECTION 2
1:50



PIPE SUPPORT

DETAIL A
1:20

METRIC NOTES
WHOLE NUMBERS IND. MILLIMETRES
DECIMALIZED EXPRESSIONS IND. METRES

RECORD DRAWING

| | | | | | |
|---|-------------------|--|-------------------------|--|-----------------------|
| <p>Underwood McLellan Ltd. Consulting Engineers and Planners</p> | | <p>THE CITY OF WINNIPEG WORKS & OPERATIONS DEPARTMENT WATERWORKS, WASTE & DISPOSAL DIVISION</p> | | <p>WILKES AVENUE RESERVOIR RECONSTRUCTION DIVIDER WALL - LINE 9</p> | |
| DESIGNED BY: H.T.H. | DRAWN BY: T.H. | CHECKED BY: | DATE: MARCH 20, 1980 | RELEASED FOR CONSTRUCTION: | DATE: |
| APPROVED BY: | DATE: 2/13/80 | <p>ENGINEER'S SEAL</p> | | SCALE: AS NOTED | DRAWING NO. WIL-21 |