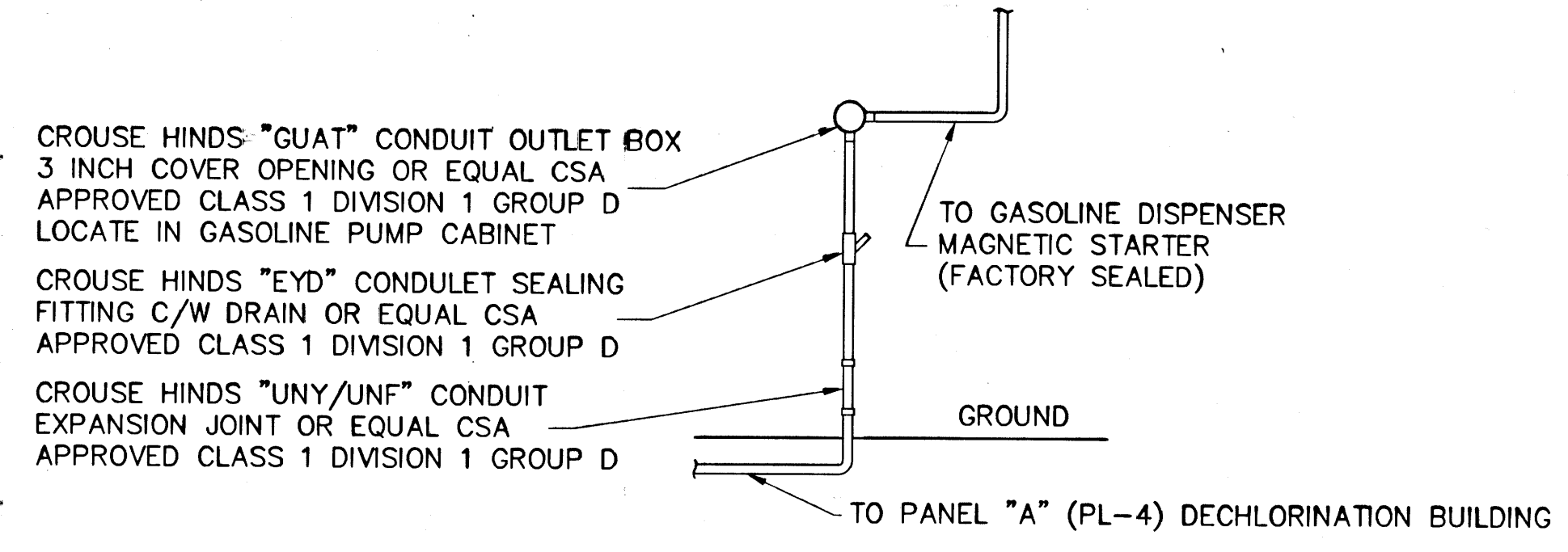
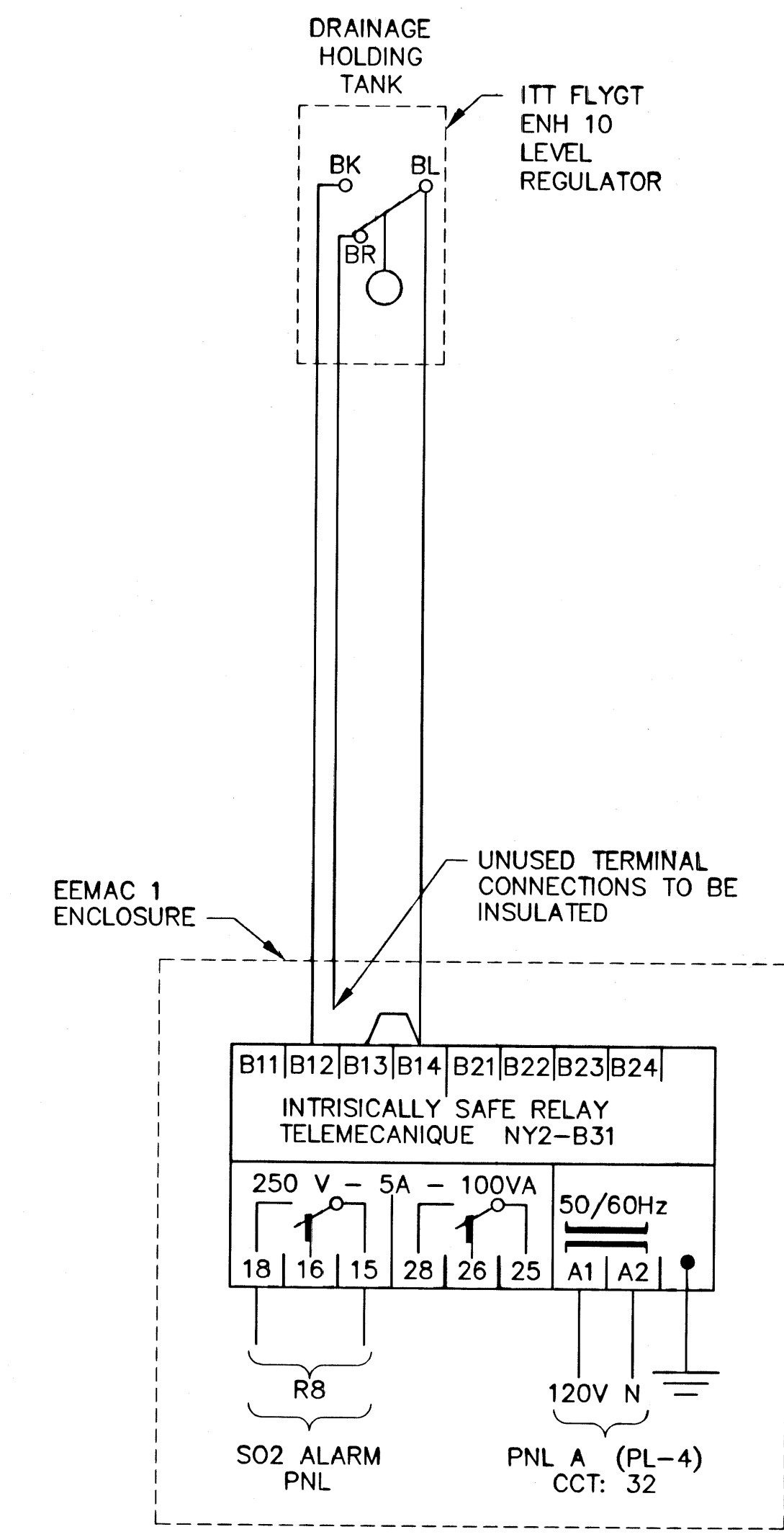


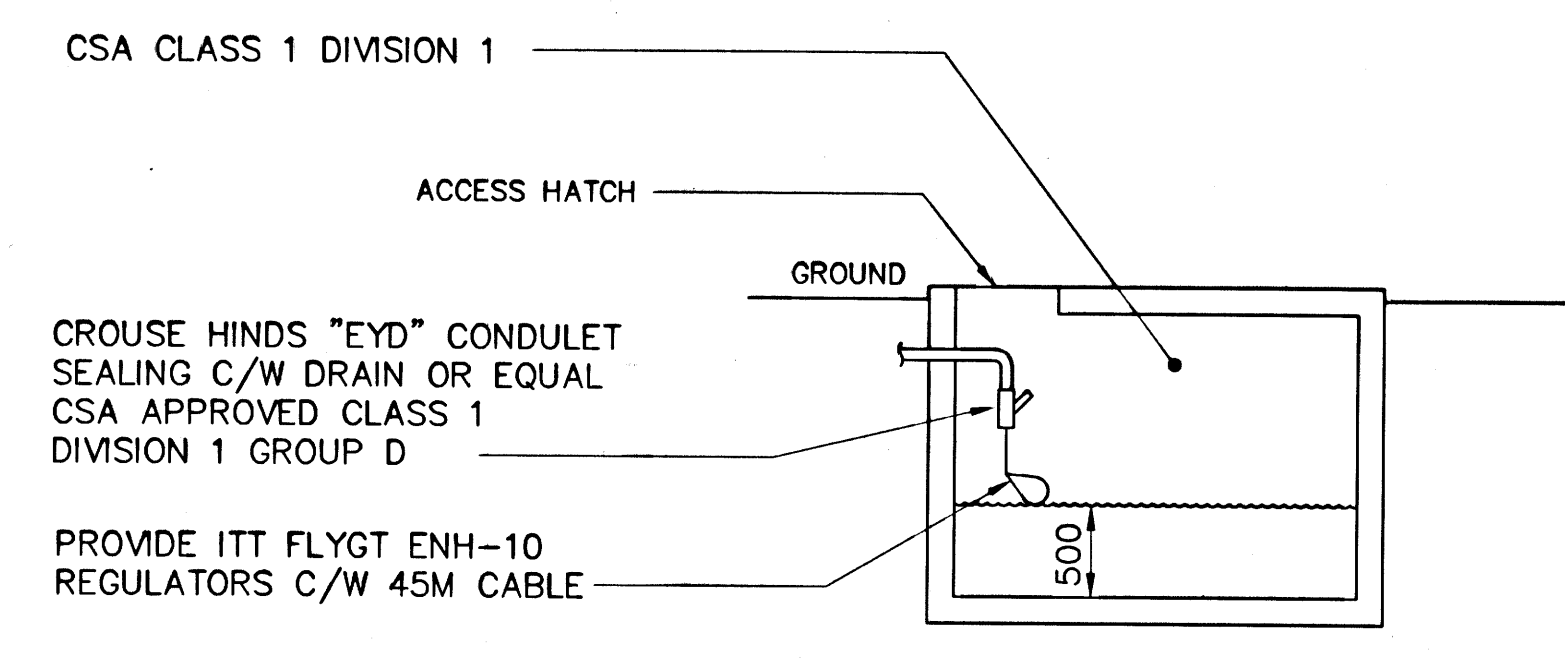
DECHLORINATION BUILDING CONDUIT SEALING & EXPANSION JOINT TYPICAL DETAIL



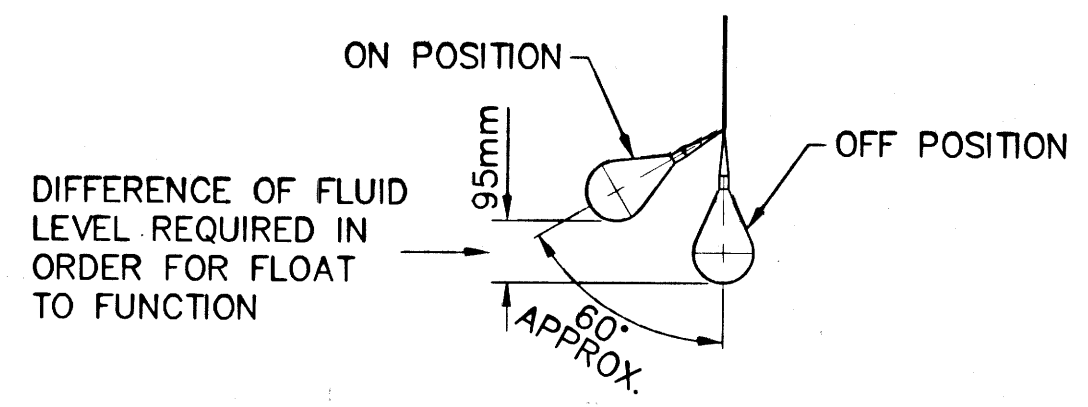
DISPENSER JUNCTION BOX TYPICAL DETAIL



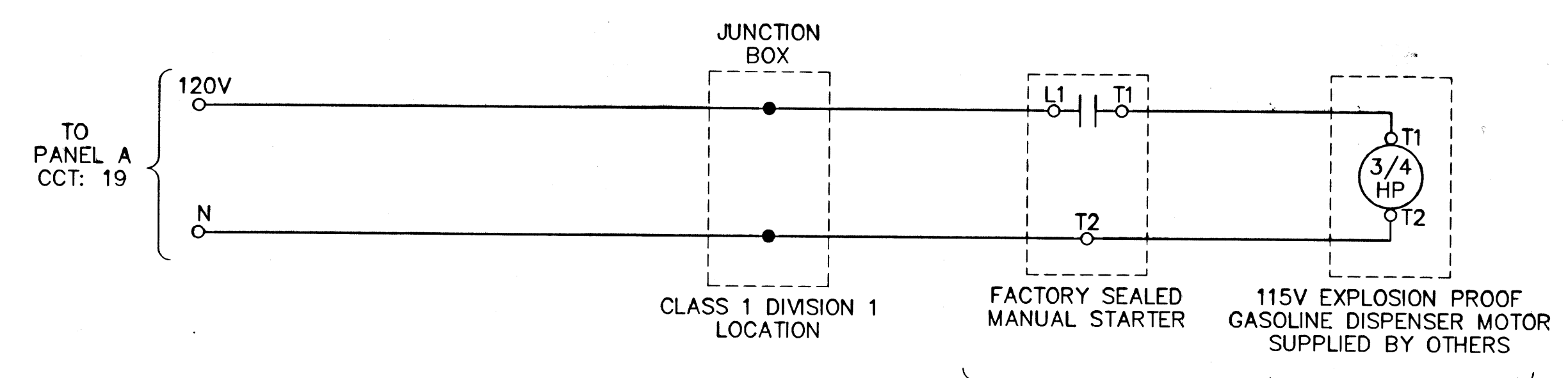
PANEL "B" (PL-44)



HOLDING TANK CONDUIT SEALING TYPICAL DETAIL



HOLDING TANK HIGH LEVEL ALARM FLOAT SWITCH SETTING



WIRING TO FUEL STORAGE AREA

B.M. ELEV.	I.D. ENGINEERING CANADA INC. Professional Engineers WINNIPEG, MANITOBA TESMONY CONSULTANTS INC. WINNIPEG, MANITOBA		ENGINEER'S SEAL ORIGINAL DRAWING SEALED BY T.L. HOLDEN 94-03-31	THE CITY OF WINNIPEG WORKS AND OPERATIONS DIVISION WATERWORKS, WASTE AND DISPOSAL DEPARTMENT	
				SHOAL LAKE INTAKE FACILITY UPGRADING FUEL PUMP AND DRAINAGE TANK ELECTRICAL DETAILS	
DESIGNED BY TLH	CHECKED BY TLH/RAH	CONSULTANT DRAWING NO. IB-109-515-E51		D-3898	
DRAWN BY IDE/TCI	APPROVED BY RPV	RELEASED FOR CONSTRUCTION: RMC			
HOR. SCALE: N.T.S.	DATE 94-02-03	DATE 94-04-05			
1 AS CONSTRUCTED 95-12-12 AZT					
NO. REVISIONS	DATE	BY	DATE		