

D SIZE 227 x 347 (550mm x 864mm)

MATERIALS
COMPOSITE SLATS:
 - 88mm x 89mm COMPOSITE BOARDS
 - CEDAR TONE FINISH

METAL OPTIONS:
 - BLACK POWDERCOATED - (Metal suitably cleaned to remove any grease, wax etc. for proper paint bonding to occur. Base coat Zinc rich primer. Baked with a final thickness of paint between 5-8 mil - Product # 52501085)
 - GALVANIZED - Product # 52501086GLV

Drawing Title: **TACHE BENCH COMPOSITE WITH ARMS**
 Drawing No: **SCD-121A**

PLAN VIEW
 POURED IN PLACE CONCRETE BASE
 ARM REST x 2

SIDE ELEVATION
 ARM REST
 50 mm SQUARE TUBING
 FINISH GRADING
 POURED IN PLACE CONCRETE BASE

FRONT ELEVATION
 TOP OF SEAT
 450-500

REVISION: 2
 DATE: December 20, 2012
 SCALE: NTS
 DRAWN BY: SP

The City of Winnipeg
 Planning, Property and Development Department
 Planning and Land Use Division
 Unit 15 - 30 Fort Street, Winnipeg, MB, R3C 4X5

METAL SLAT WR:
 Black Finish: Product # 52501063BLK
 Galvanized Finish: Product # 52501063GLV

WIRE BASKET:
 Black Finish: Product # 52501058
 Galvanized Finish: Product # 52501058GLV

Drawing Title: **WASTE RECEPTACLE SIDE OPENING METAL SLAT TYPE**
 Drawing No: **SCD-119**

PLAN
 TO TAKE PADLOCK

WIRE BASKET

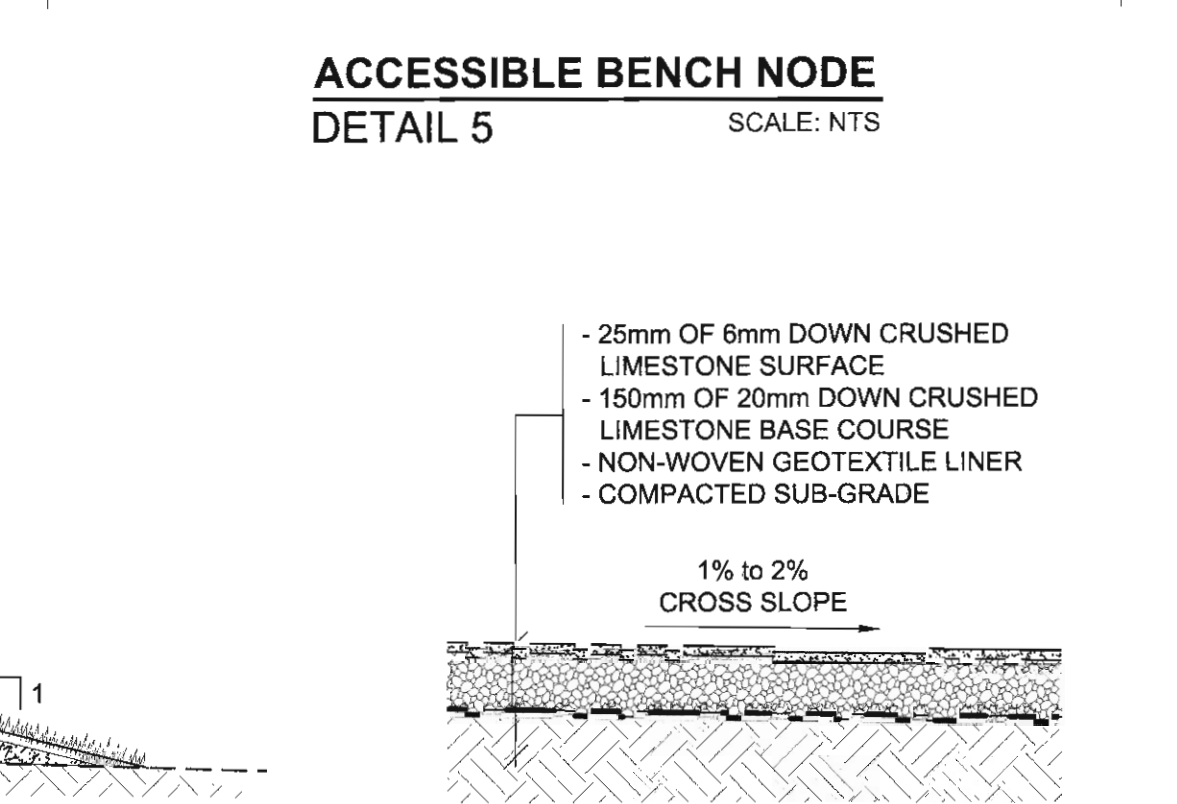
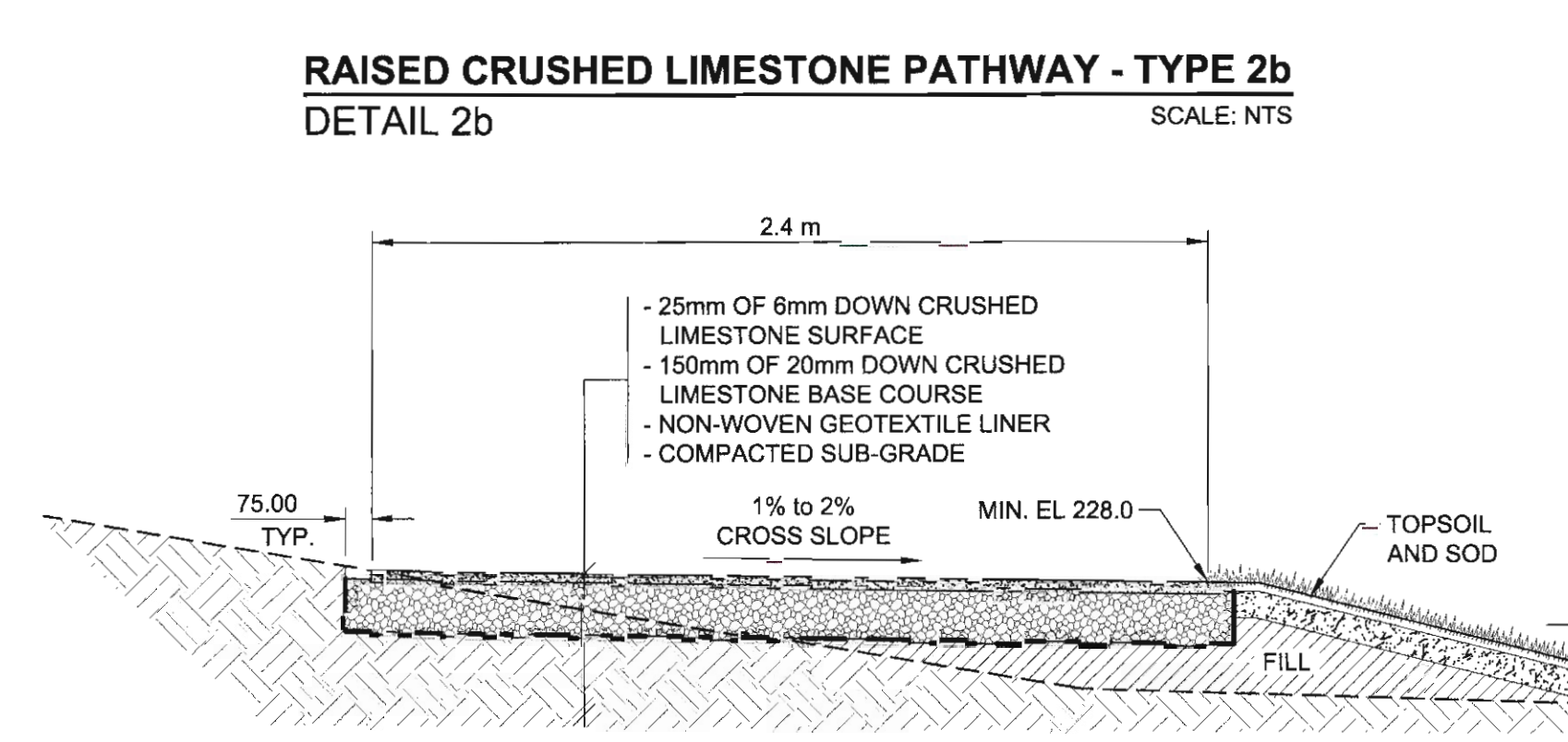
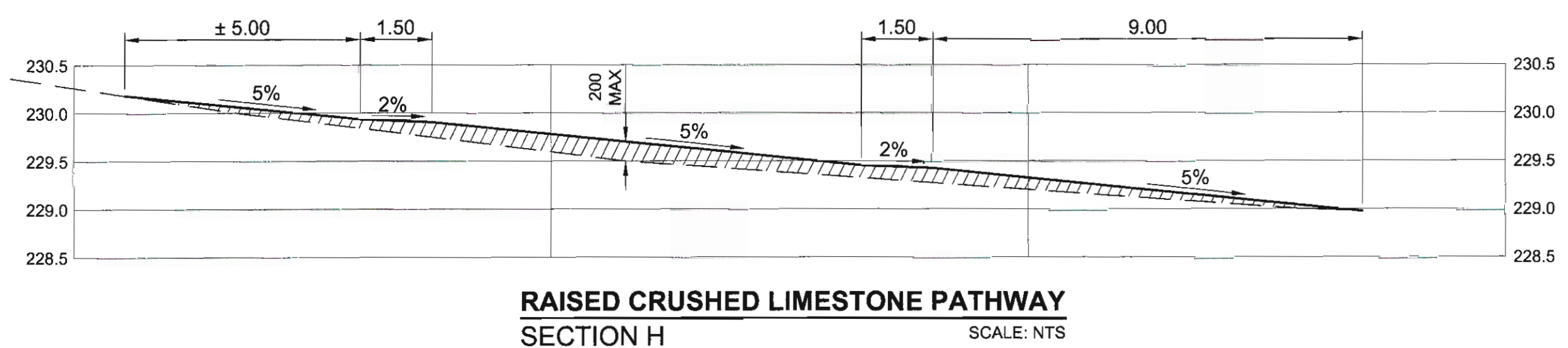
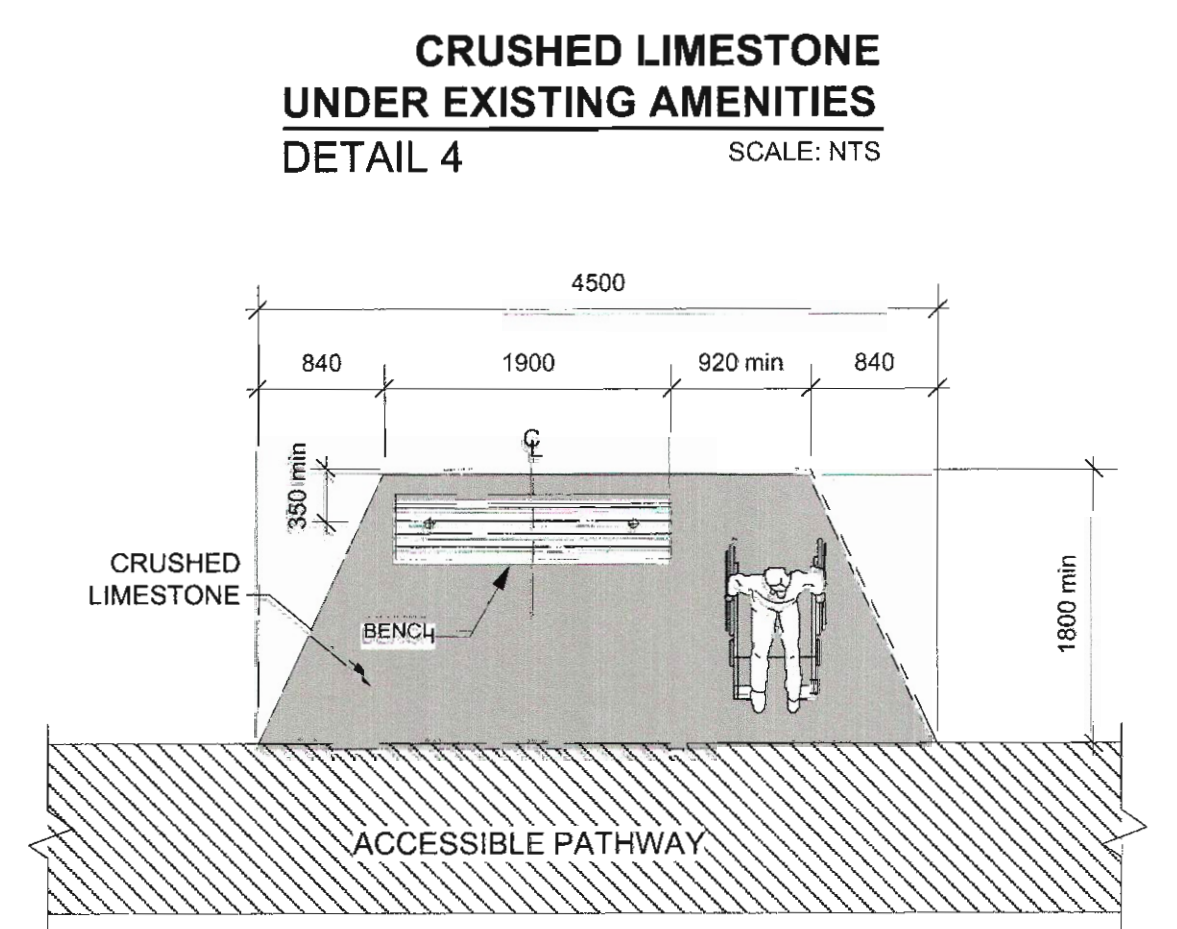
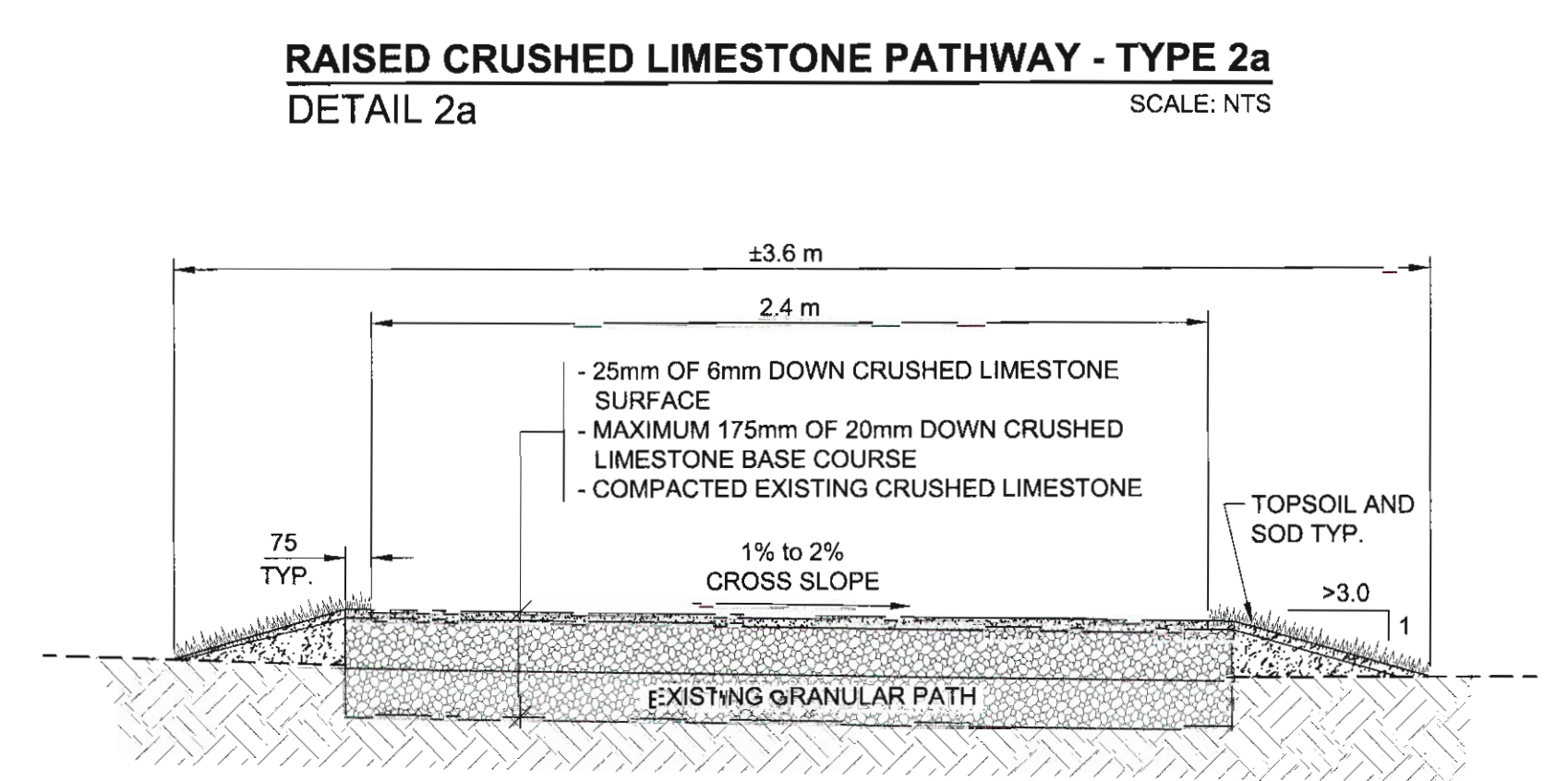
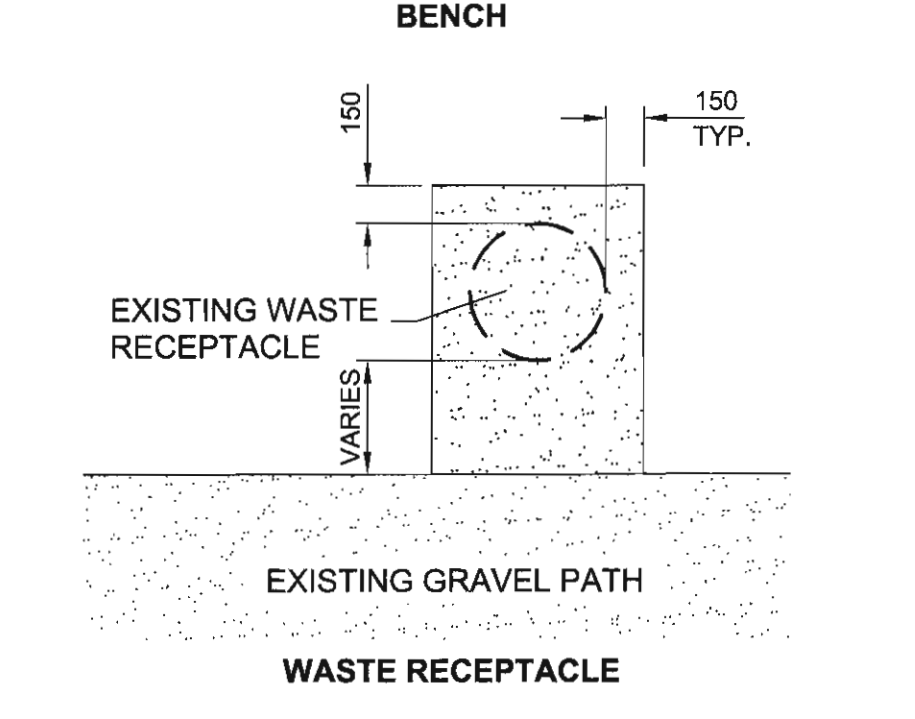
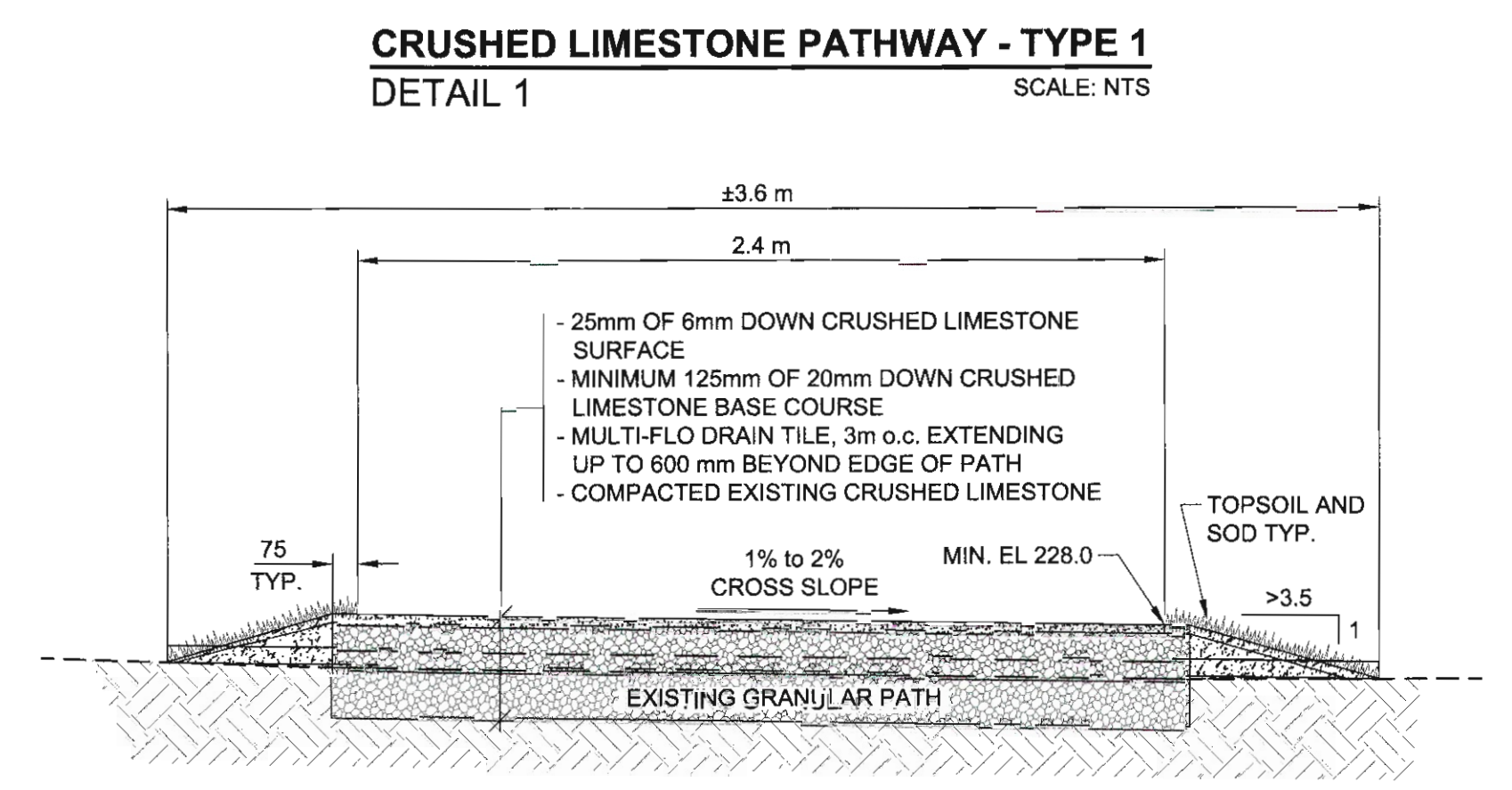
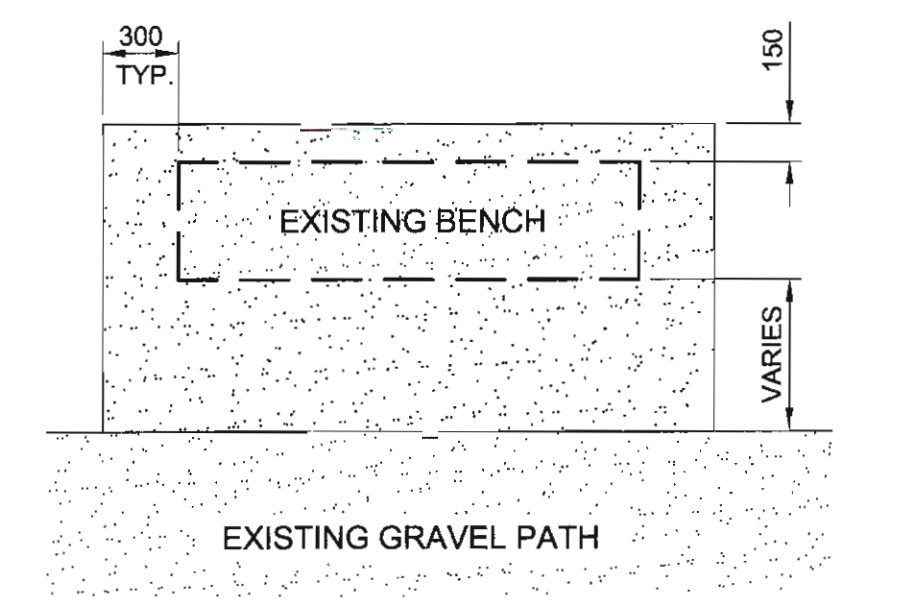
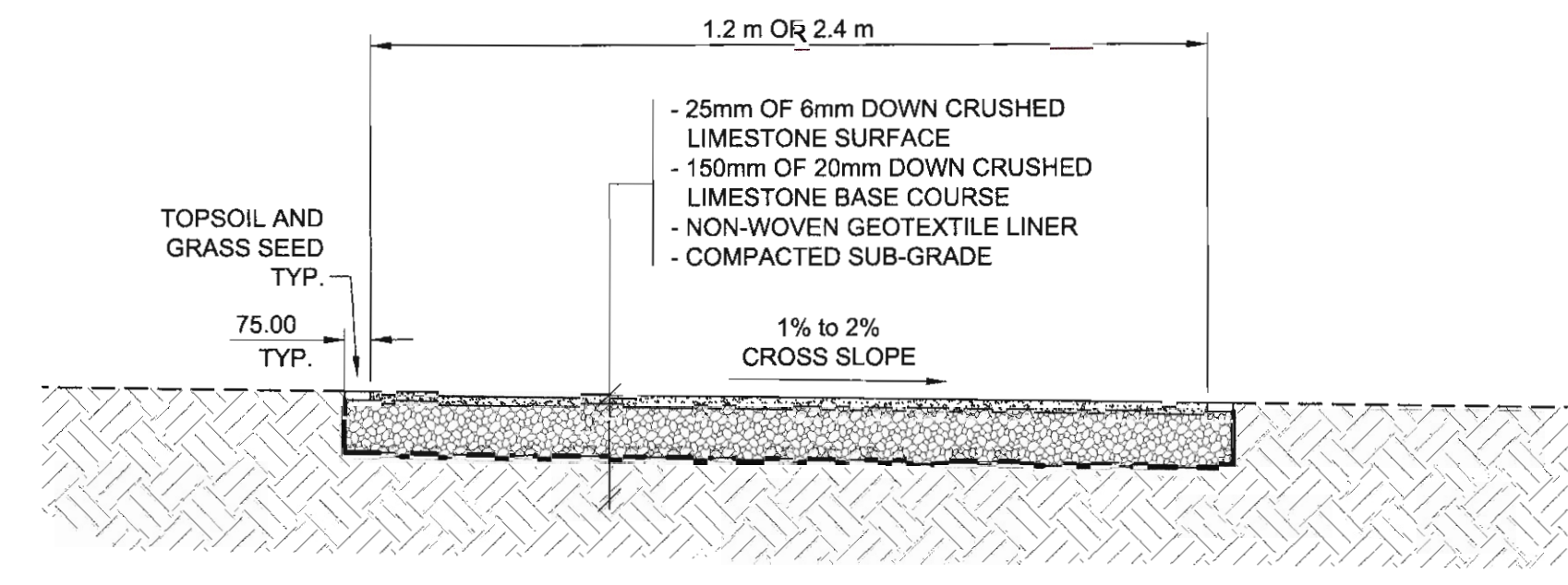
METAL SLAT WR
 CONCRETE BASE

NOTE FOR BLACK FINISH:
 - POWDERCOATED - METAL SUITABLY CLEANED TO REMOVE ANY GREASE, WAX, ETC. FOR PROPER PAINT BONDING TO OCCUR. BASE COAT ZINC RICH PRIMER BAKED WITH A FINAL THICKNESS OF PAINT BETWEEN 5-8 MIL.

NOTE FOR GALVANIZED FINISH:
 - METAL TO BE HOT DIPPED GALVANIZED.

REVISION: 2
 DATE: December 20, 2012
 SCALE: N.T.S.
 DRAWN BY: SP

The City of Winnipeg
 Planning, Property and Development Department
 Planning and Land Use Division
 Unit 15 - 30 Fort Street, Winnipeg, MB, R3C 4X5



Site Amenity			
No.	Bench	Stated Waste Receptacle	Base
1	RPL	RPL	Existing Pavers
2	RMN		CL - Detail 4 & 6
3a	RMN		CL - Detail 4 & 6
3b	NW		CL - ABN - Detail 5 & 6
4	RPL	RMN	CL - ABN - Detail 5 & 6
5a	RPL		CL - Detail 4 & 6
5b	RPL		CL - Detail 4 & 6
6	RPL		CL - ABN - Detail 5 & 6
7	RPL	RMN	CL - ABN - Detail 5 & 6
8	X		NA
9	RPL		In Grass
10	RPL		CL - Detail 4 & 6
11	RPL		CL - ABN - Detail 5 & 6
12	RPL		CL - ABN - Detail 5 & 6
13	RPL		CL - ABN - Detail 5 & 6
14	X		NA
15a	RMN	RMN	CL - Detail 4 & 6
15b	RMN		CL - Detail 4 & 6
15c	NW		CL - ABN - Detail 5 & 6
16	RMN		CL - ABN - Detail 5 & 6
17		RPL	CL - Detail 4 & 6

LEGEND	
NW	New
RMN	To Remain
RPL	Replace
X	to be Removed (by Others)
CL	Crushed Limestone
ABN	Accessible Bench Node

METRIC
 WHOLE NUMBERS INDICATE MILLIMETRES
 DECIMALIZED NUMBERS INDICATE METRES

BID OPPORTUNITY NO. 903-2014

DESIGNED BY: LJV
 CHECKED BY: DKH
 DRAWN BY: LJV
 APPROVED BY: [Signature]
 HOR. SCALE: AS NOTED
 VERT. SCALE: AS NOTED
 DATE: [Blank]

PROFESSIONAL'S SEAL

 JOY VIBERG
 member no. 125
 Sept 15 2014
 CONSULTANT DRAWING NO.
 60308648-SH-L-0001

THE CITY OF WINNIPEG
 PLANNING, PROPERTY AND
 DEVELOPMENT DEPARTMENT

CHURCHILL DRIVE PARKWAY
 PATHWAY REFURBISHMENT

LANDSCAPING
 DETAILS

SHEET 04 OF 04
 CONSULTANT DWG No. REV
L-0004 0

AECOM.WINNIPEG.DEFAULT.CTB