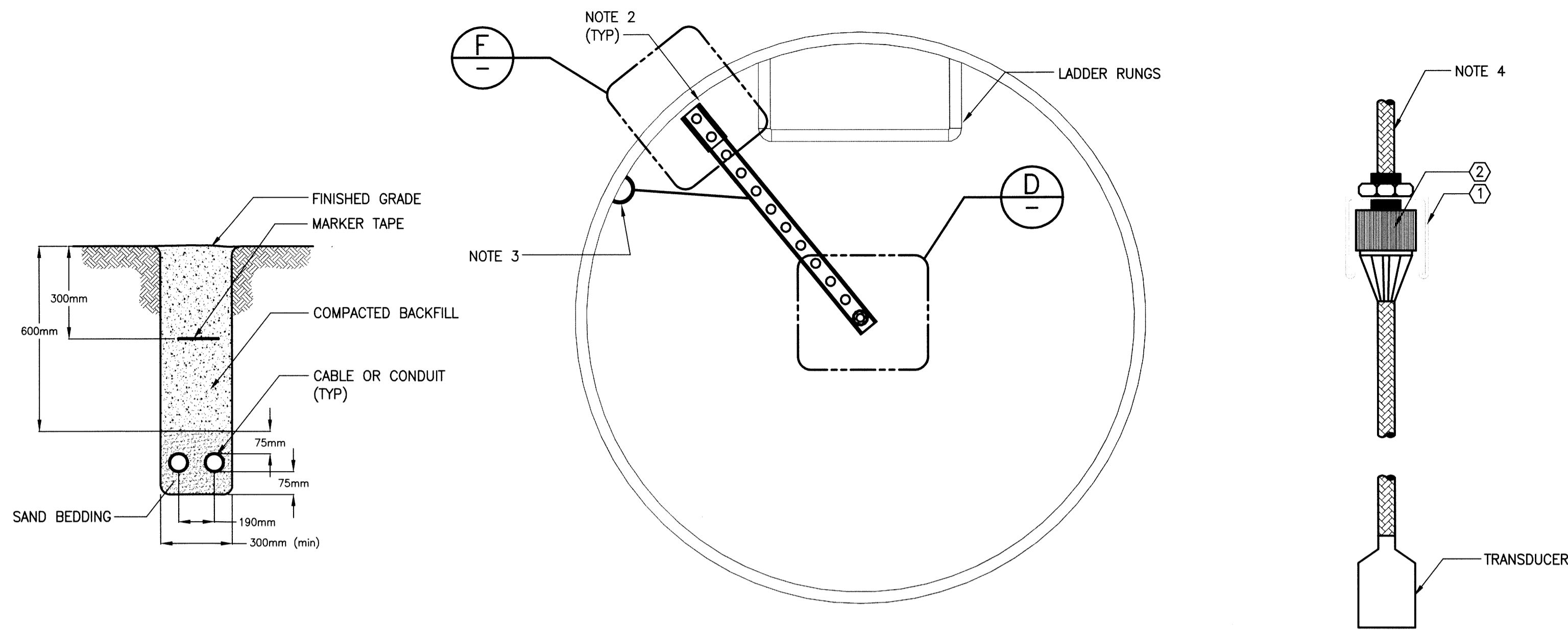


UNDERGROUND CONDUCTORS	
CIRCUIT I.D.	-
YEAR INSTALLED	-
DIAGRAM	-
DETAIL	-
TABLE	-
SIZE/TYPE OF CONDUCTOR	-
AMPACITY	-
MAX. OVERCURRENT	-



NOTES:

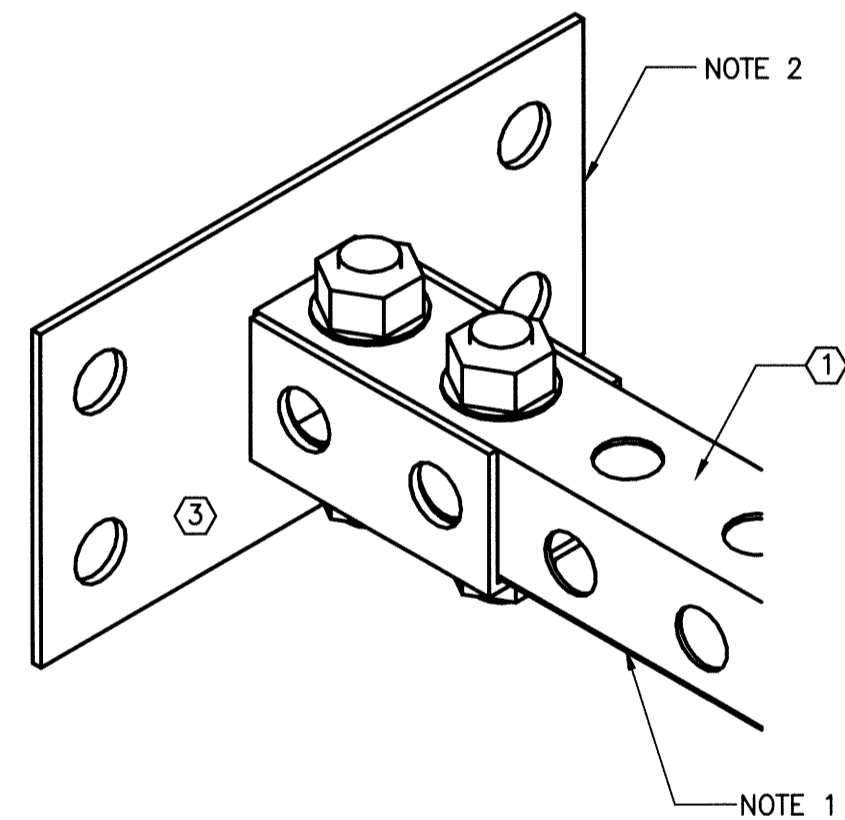
1. CHANNEL SHALL REST IN POST BASE.
2. ANCHOR TO MANHOLE WALL.
3. PROVIDE CHAIN ANCHORED TO WALL TO PREVENT ACCIDENTAL SUBMERSION OF TRANSMITTER.
4. PROVIDE SUFFICIENT CABLE LENGTH TO REMOVE TRANSDUCER AND CHANNEL SUPPORT FROM MANHOLE WITHOUT DISCONNECTING TRANSDUCER TO ALLOW SPACE FOR PUMP REMOVAL.
5. ALL UNDERGROUND CONDUCTOR INSTALLATIONS SHALL BE IDENTIFIED WITH A LABEL INDICATING THE CODE YEAR TO WHICH THE INSTALLATION WAS DESIGNED, INCLUDING THE U/G DETAIL AND TABLE UTILIZED TO ACHIEVE THE RATED AMPACITY OF THE IEEE CALCULATION. MARKING OF EQUIPMENT SERVICED BY UNDERGROUND INSTALLATION OF #1/0 AWG AND LARGER SHALL BE IDENTIFIED WITH A PERMANENTLY SECURED LAMACOID LABEL (MINIMUM SIZE 80x130mm) POSTED ON OR NEAR EACH SERVICE OR OVERCURRENT SUPPLYING EQUIPMENT INDICATING THE ITEMS SHOWN ON LABEL.
6. THREADED ROD CONNECTIONS AT CORNER ANGLE FITTINGS SHALL ALLOW CHANNEL SUPPORTING TRANSDUCER TO PIVOT.

A BURIED CABLE LAMACOID LABEL
SCALE: N.T.S. (NOTE 5)

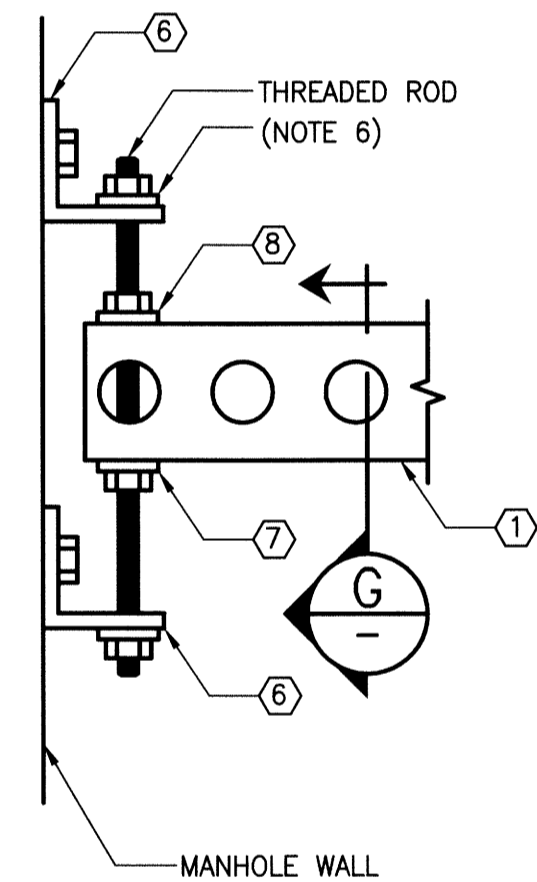
B CABLE TRENCH DETAIL
E04 SCALE: N.T.S.

C MANHOLE TRANSDUCER SUPPORT - PLAN
E04 SCALE: N.T.S.

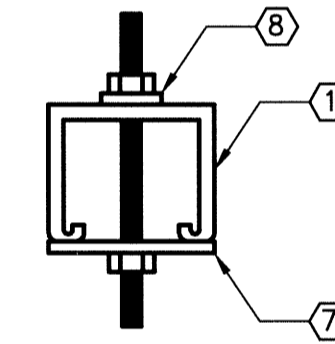
D TRANSDUCER CABLE CLAMP DETAIL
SCALE: N.T.S.



E GATE CHAMBER TRANSDUCER SUPPORT - DETAIL
E04 SCALE: N.T.S.

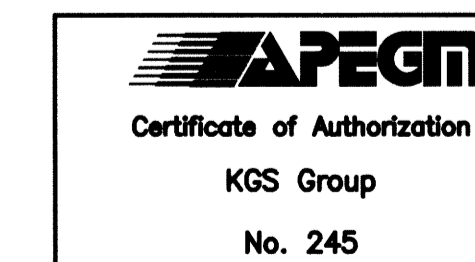


F MANHOLE TRANSDUCER SUPPORT - DETAIL
SCALE: N.T.S.

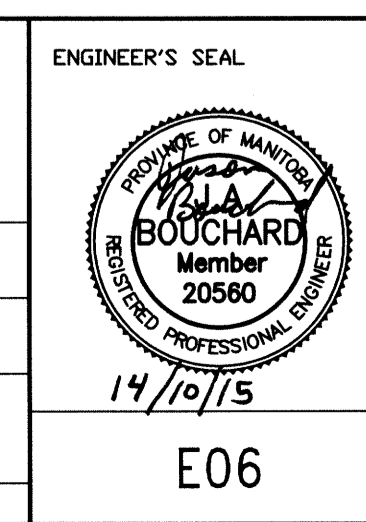


G MANHOLE TRANSDUCER SUPPORT - SECTION
SCALE: N.T.S.

SCHEDULE			
TYPE	DESCRIPTION	MANUFACTURER	CATALOGUE NUMBER
①	TH TYPE CHANNEL	B-LINE	B22TH
②	NONMETALLIC LIQUIDTIGHT STRAIN RELIEF FITTING	B-LINE	2672
③	POST BASE	B-LINE	B280SQ
④	SINGLE CHANNEL ADJUSTABLE BRACE	B-LINE	B634
⑤	ONE HOLE CORNER ANGLE	B-LINE	B420-378
⑥	TWO HOLE ADJUSTABLE CORNER ANGLE	B-LINE	B372
⑦	SQUARE WASHER	B-LINE	B202
⑧	FLAT WASHER	B-LINE	FW



FIELD BOOK #		DESIGNED BY		CHECKED BY	
POSTED TO LBIS		SEB		AS	
		GCN			
		N.T.S.		RELEASED FOR CONSTRUCTION	
0	ISSUED FOR TENDER	14/10/14	AS	2014 06 28	
NO.	REVISIONS	DATE	BY	DATE	



THE CITY OF WINNIPEG
WATER AND WASTE DEPARTMENT

LEE BOULEVARD OUTLET CHAMBER UPGRADES
LEE BOULEVARD
ELECTRICAL
MISCELLANEOUS DETAILS

SHEET 1 OF 1
CITY DRAWING NUMBER
1-0539L-E0005-001