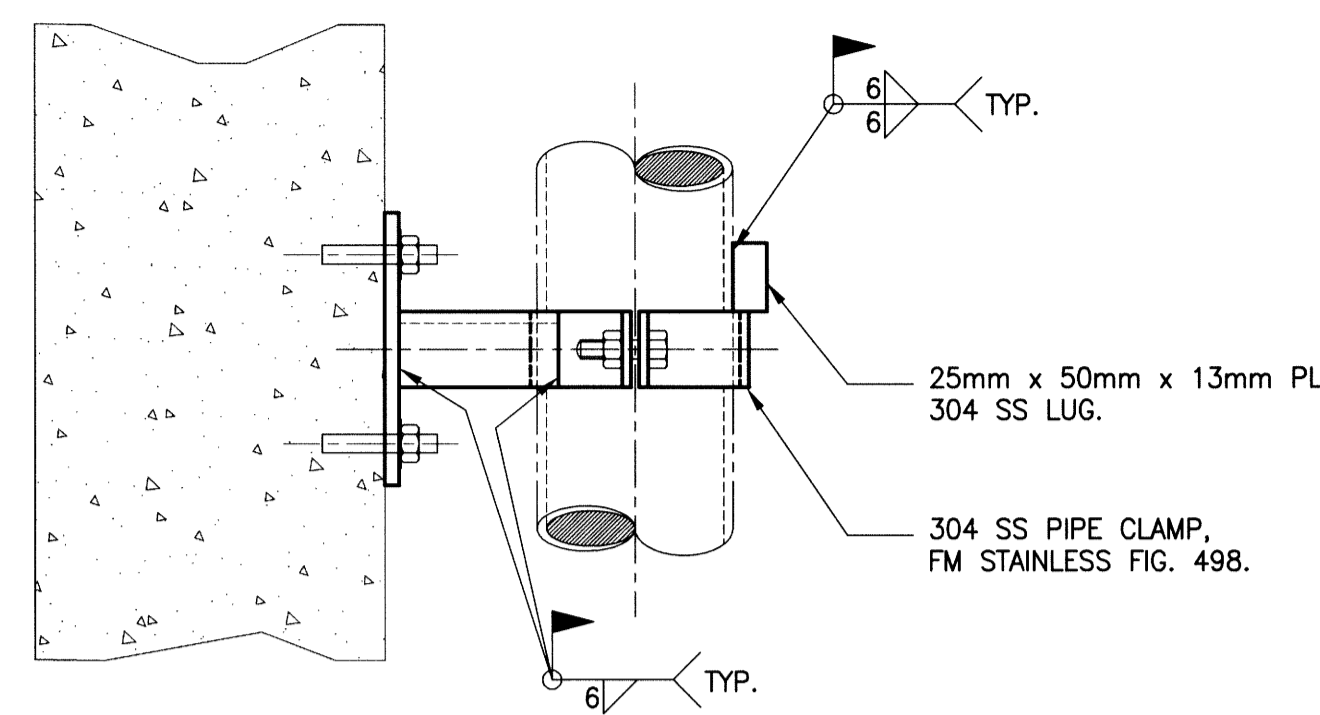


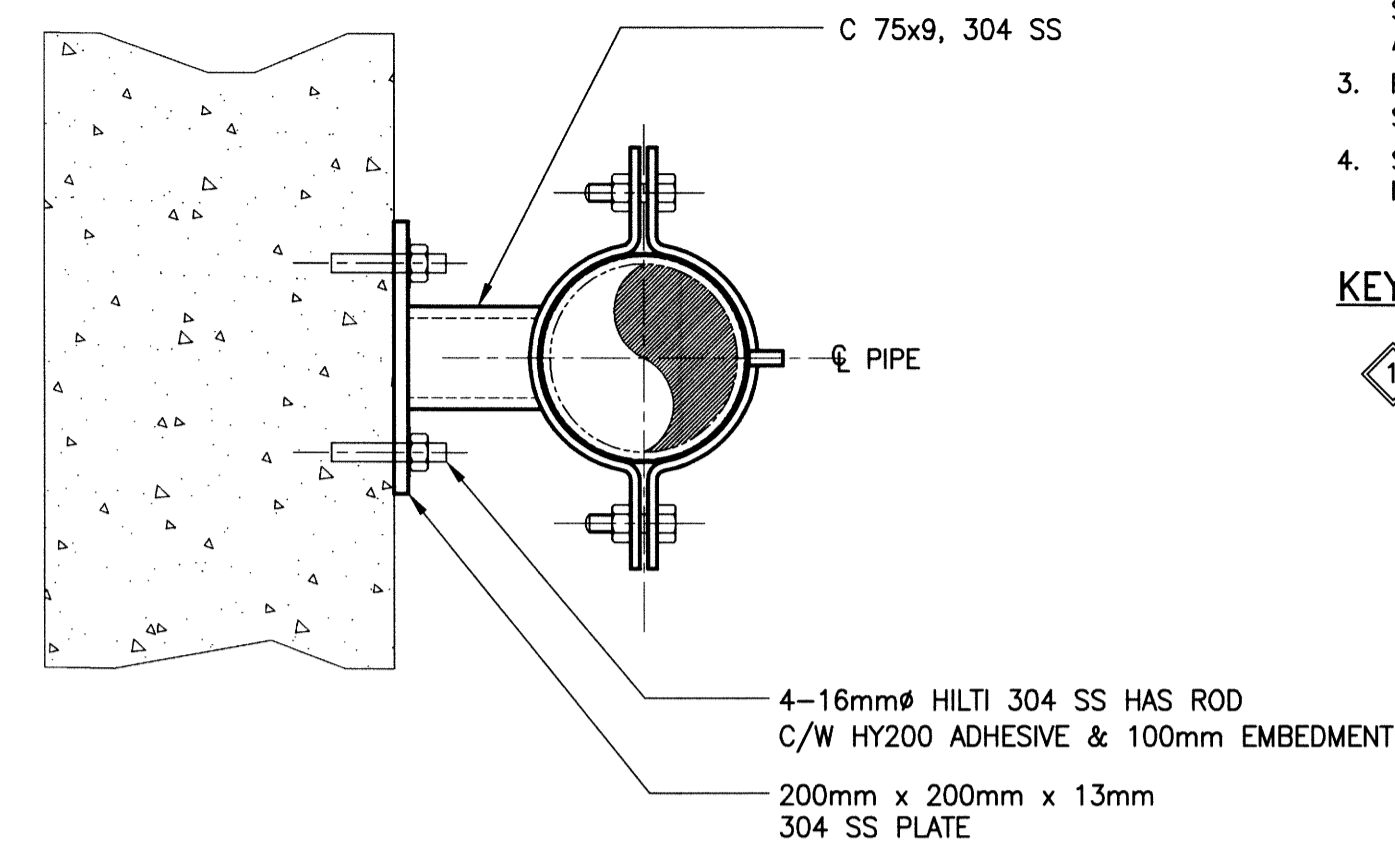
PLAN - EL. 232.235

SCALE: 1:40



WALL PIPE SUPPORT DETAIL

SCALE: N.T.S.

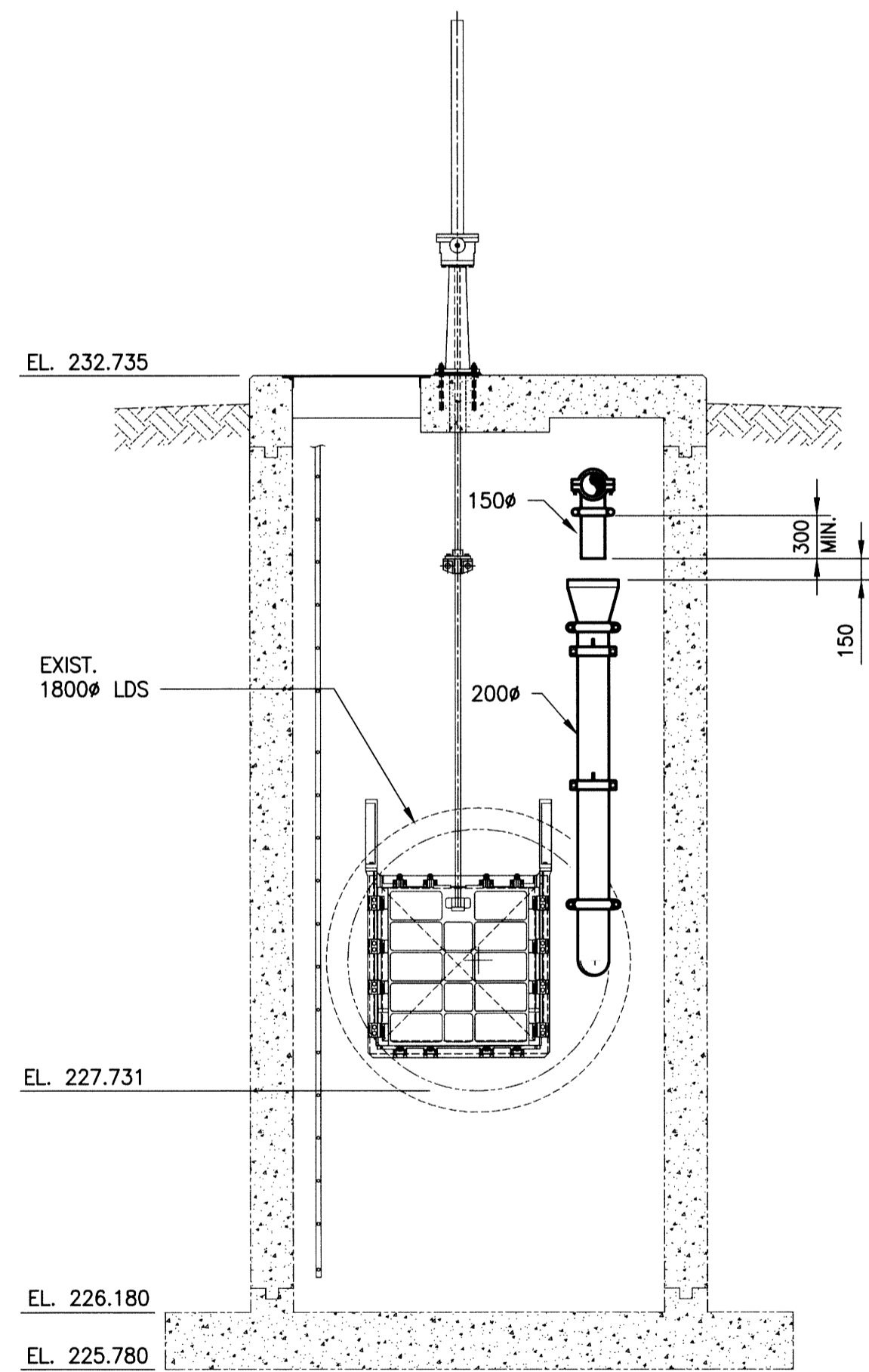


GENERAL NOTES:

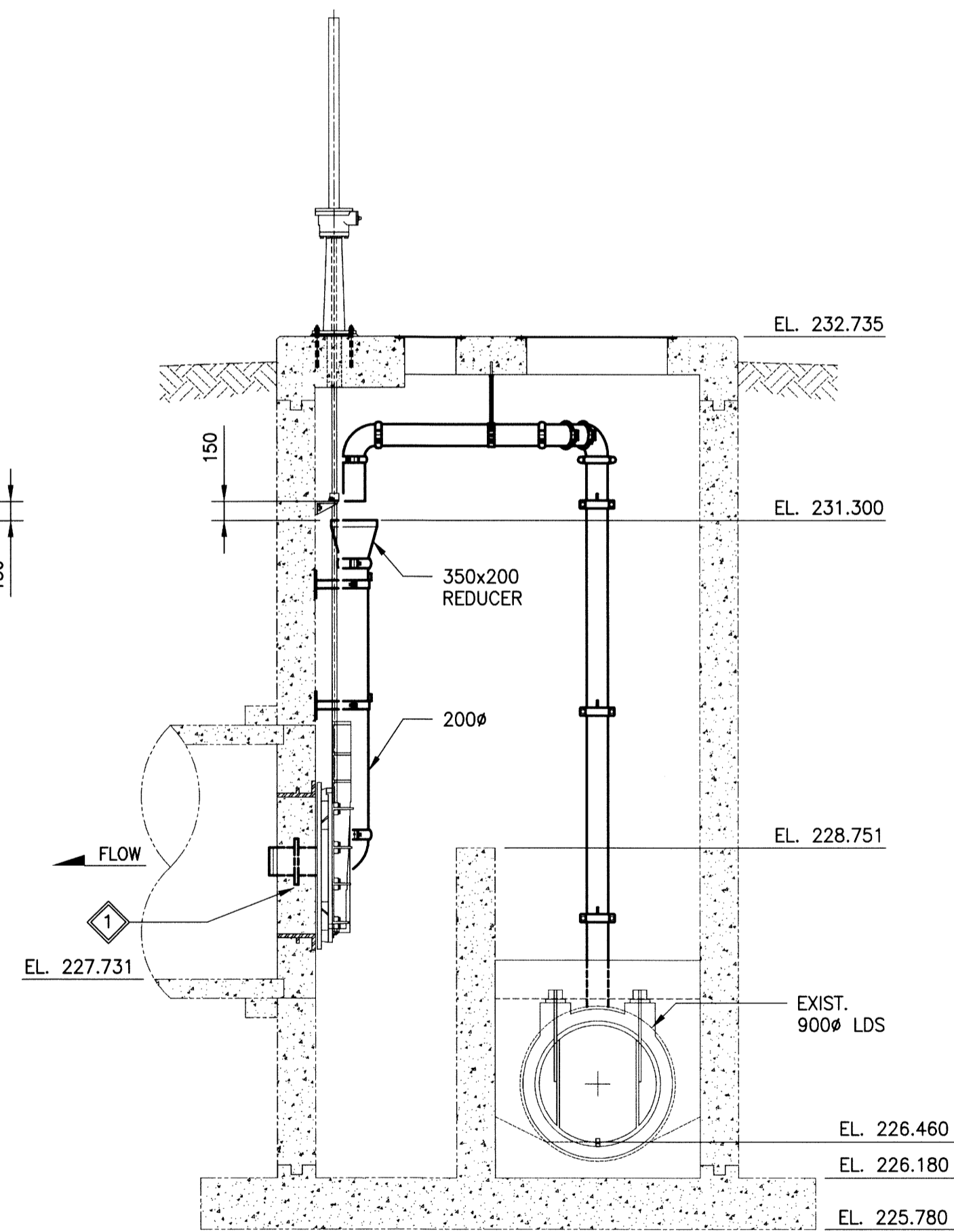
1. REVIEW PUMP LOCATION AND PIPING FINAL LAYOUT WITH CONTRACT ADMINISTRATOR PRIOR TO INSTALLATION.
2. FIELD CONFIRM EXISTING BUILDING AND NEW PUMP AND PIPING SYSTEM DIMENSIONS TO CONFIRM THE FINAL LAYOUT WILL FIT AS SHOWN.
3. PIPING SYSTEM LAYOUT SHOWN AS SCH 10, 304 STAINLESS STEEL C/W GROOVED COUPLINGS AND FITTINGS.
4. SLUICE AND FLAP GATES SUPPLIED UNDER BID OPPORTUNITY No. 802-2014.

KEYNOTES:

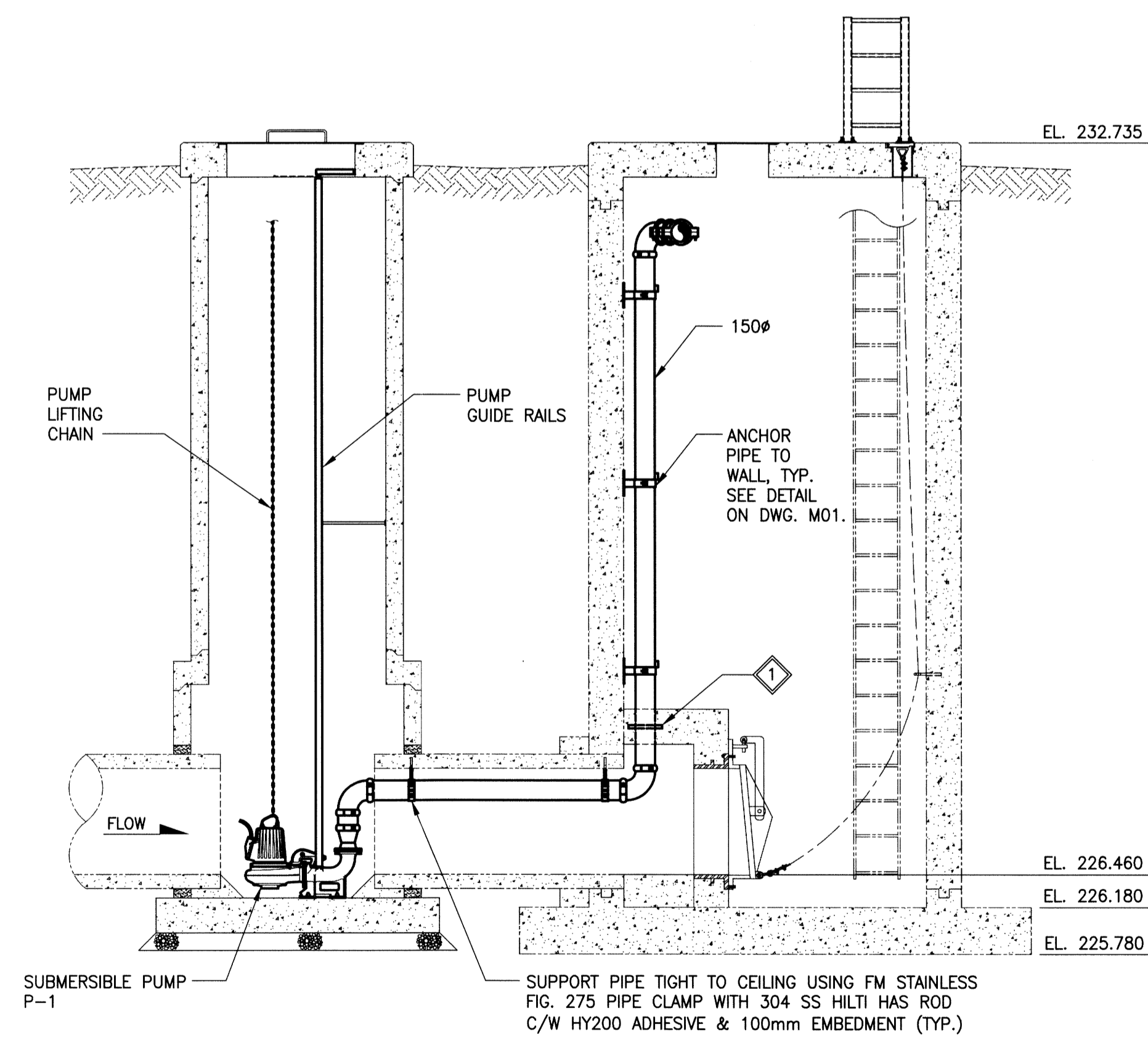
- ① - IMBED PIPE IN CONCRETE C/W HYDROTITE HYDROPHILIC WATERSTOP PROFILE SS-0215 AROUND PERIMETER OF PIPE.



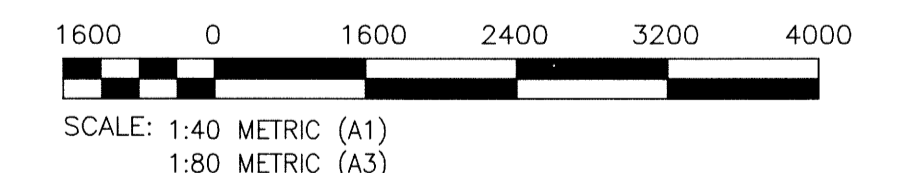
D SECTION (LOOKING SOUTH)
SCALE: 1:40



E SECTION (LOOKING WEST)
SCALE: 1:40



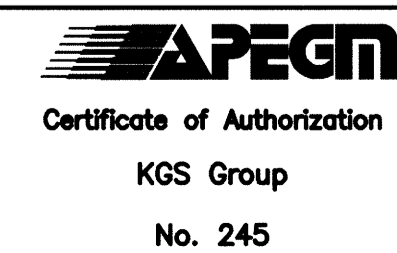
F SECTION (LOOKING NORTH)
SCALE: 1:40



METRIC

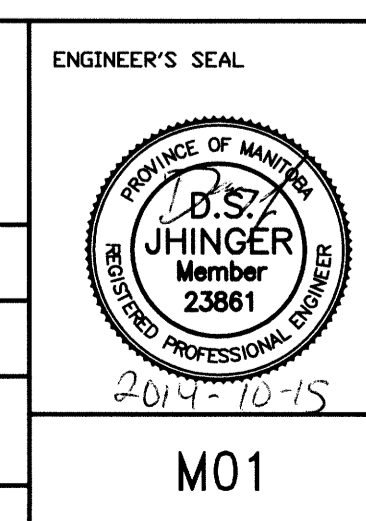
WHOLE NUMBERS INDICATE MILLIMETRES
DECIMALIZED NUMBERS INDICATE METRES

FOR TENDER ONLY
NOT TO BE USED FOR CONSTRUCTION



FIELD BOOK #	
POSTED TO LBIS	
DESIGNED BY	DJ
CHECKED BY	Red
DRAWN BY	RP
APPROVED BY	
HR. SCALE AS NOTED	
VERTICAL AS NOTED	
0 ISSUED FOR TENDER	14/10/15 DJ
NO. REVISIONS	DATE BY
	2014 08 20

KGS GROUP CONSULTING ENGINEERS	
ENGINEER'S SEAL	
DESIGNED BY	DJ
CHECKED BY	Red
DRAWN BY	RP
APPROVED BY	
HR. SCALE AS NOTED	
VERTICAL AS NOTED	
0 ISSUED FOR TENDER	14/10/15 DJ
NO. REVISIONS	DATE BY
	2014 08 20



THE CITY OF WINNIPEG
WATER AND WASTE DEPARTMENT

LEE BLVD OUTLET CHAMBER UPGRADES

MECHANICAL
PLAN AND SECTIONS

SHEET 1 OF 1
CITY DRAWING NUMBER
1-0539L-M0001-001