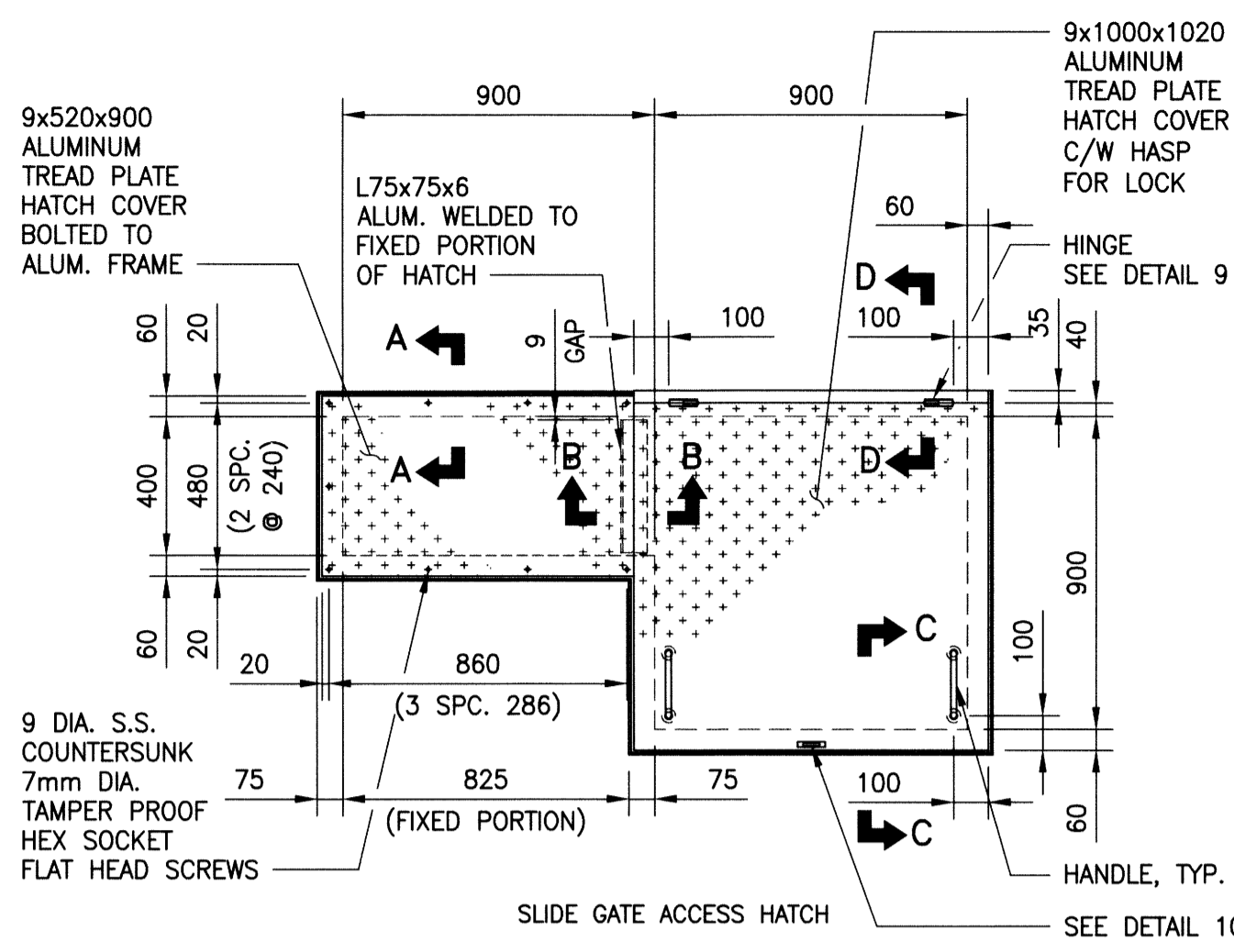
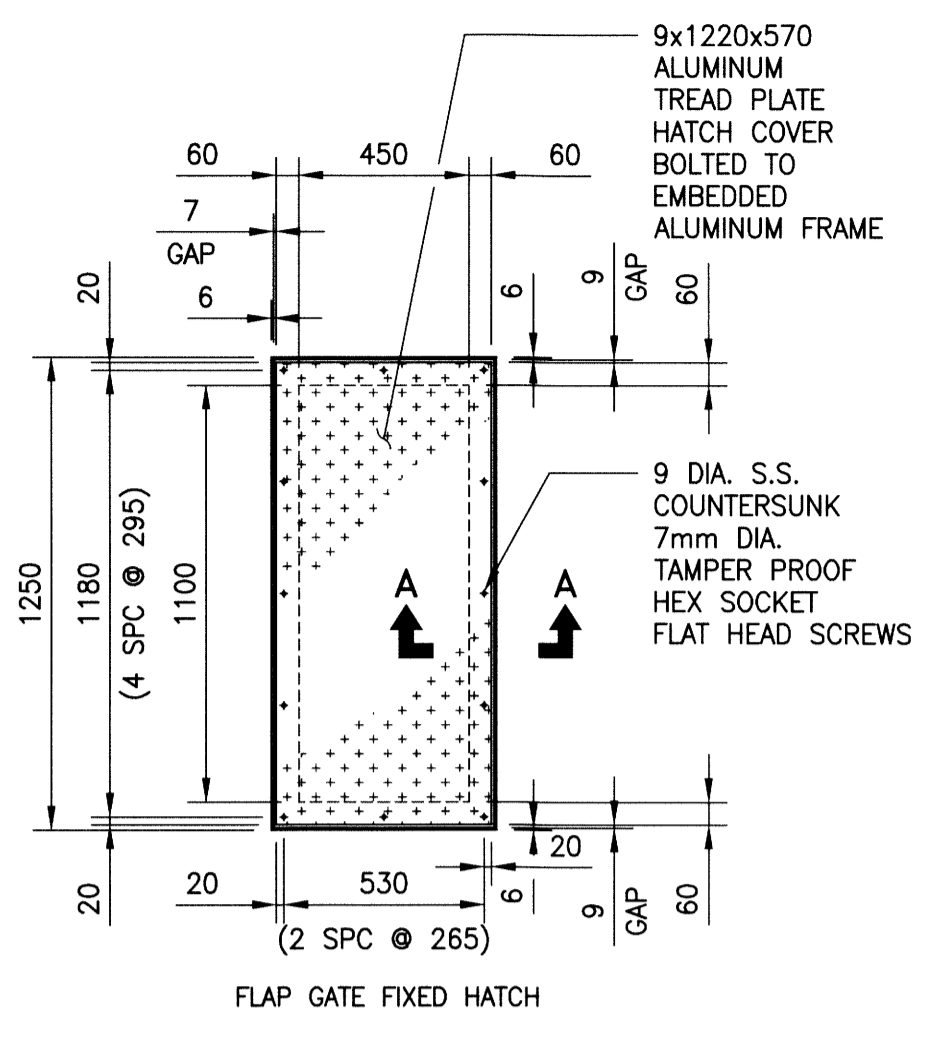


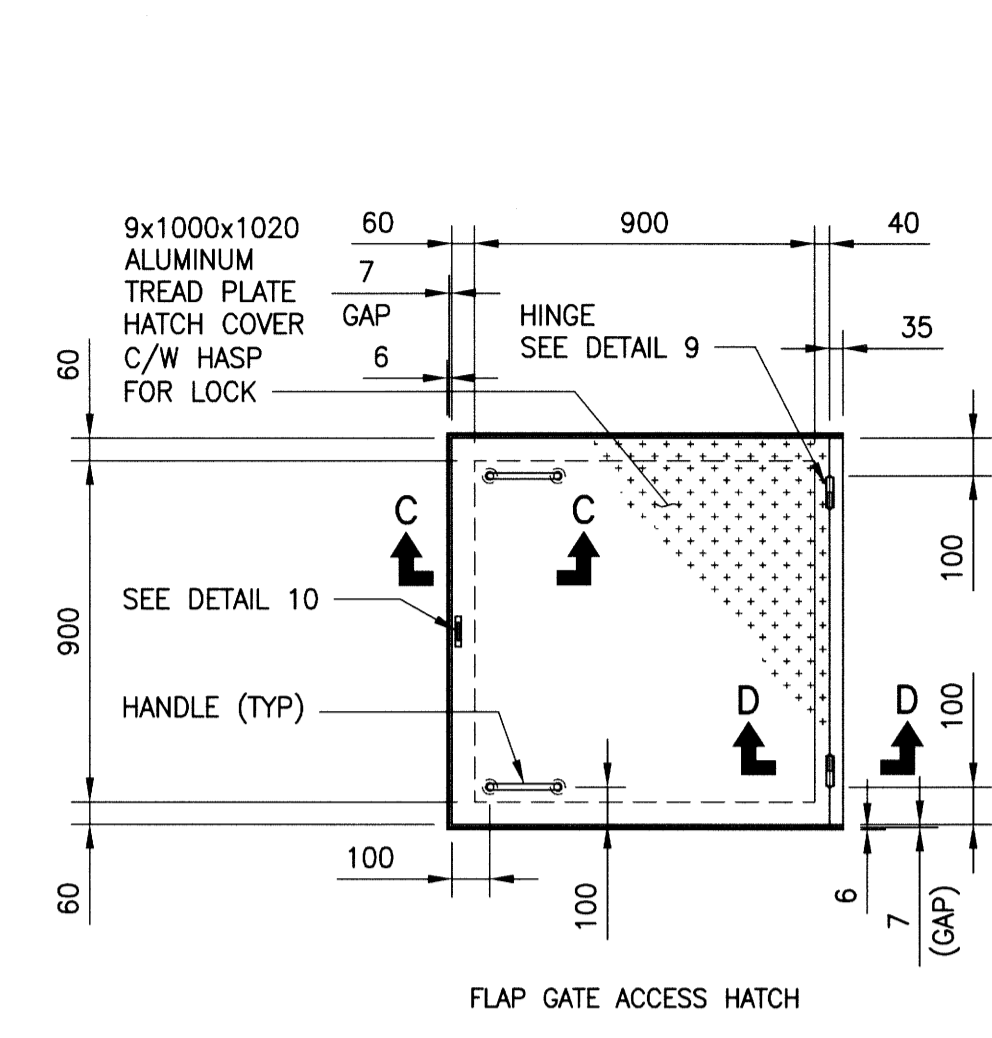
CW-9-M564-1
File Name: F:\Projects\2014\14-0107-015_S04.dwg - Tab: S04 Plotted By: dderoché 10/15/2014 (Wed 8:20am)



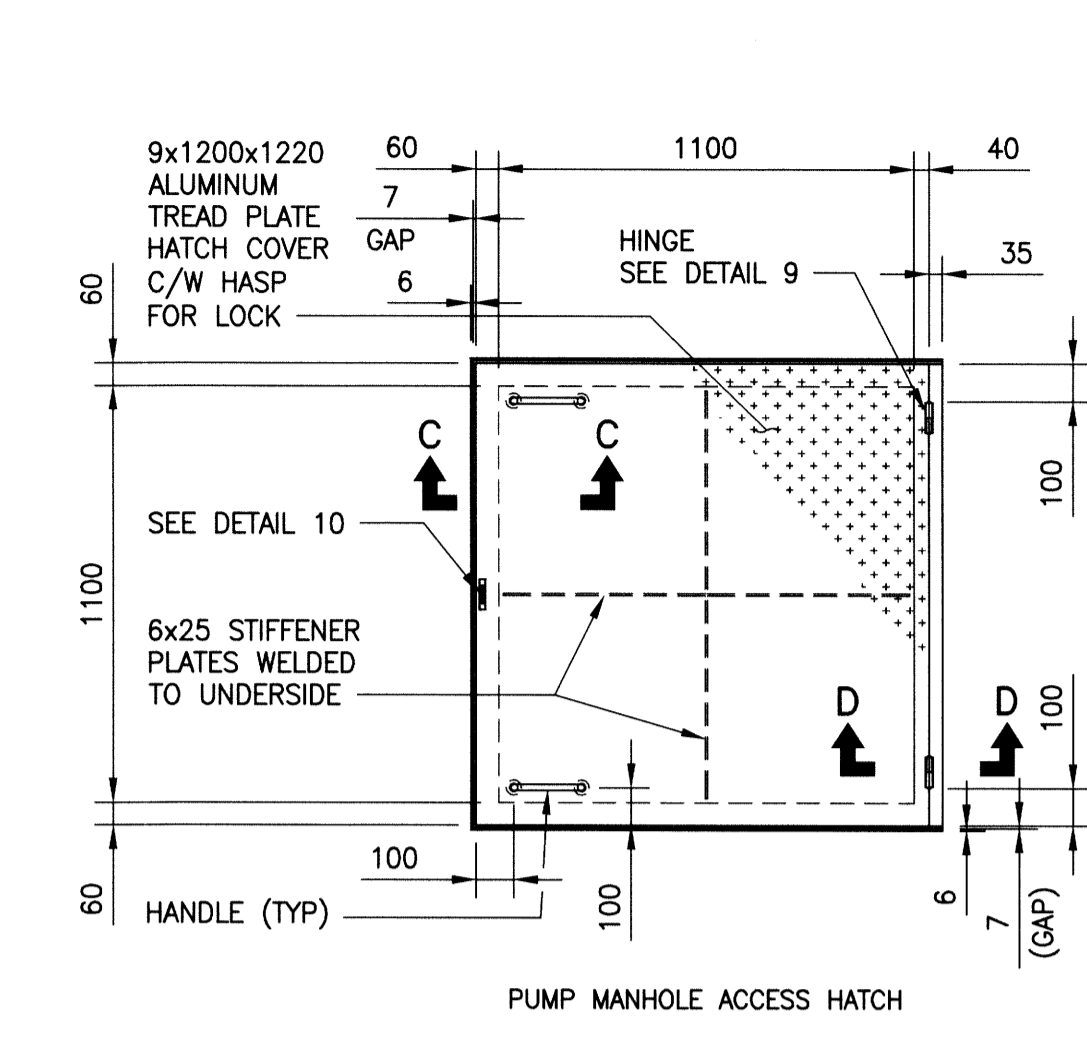
5 PARTIAL SECTION
S02 SCALE: 1:20



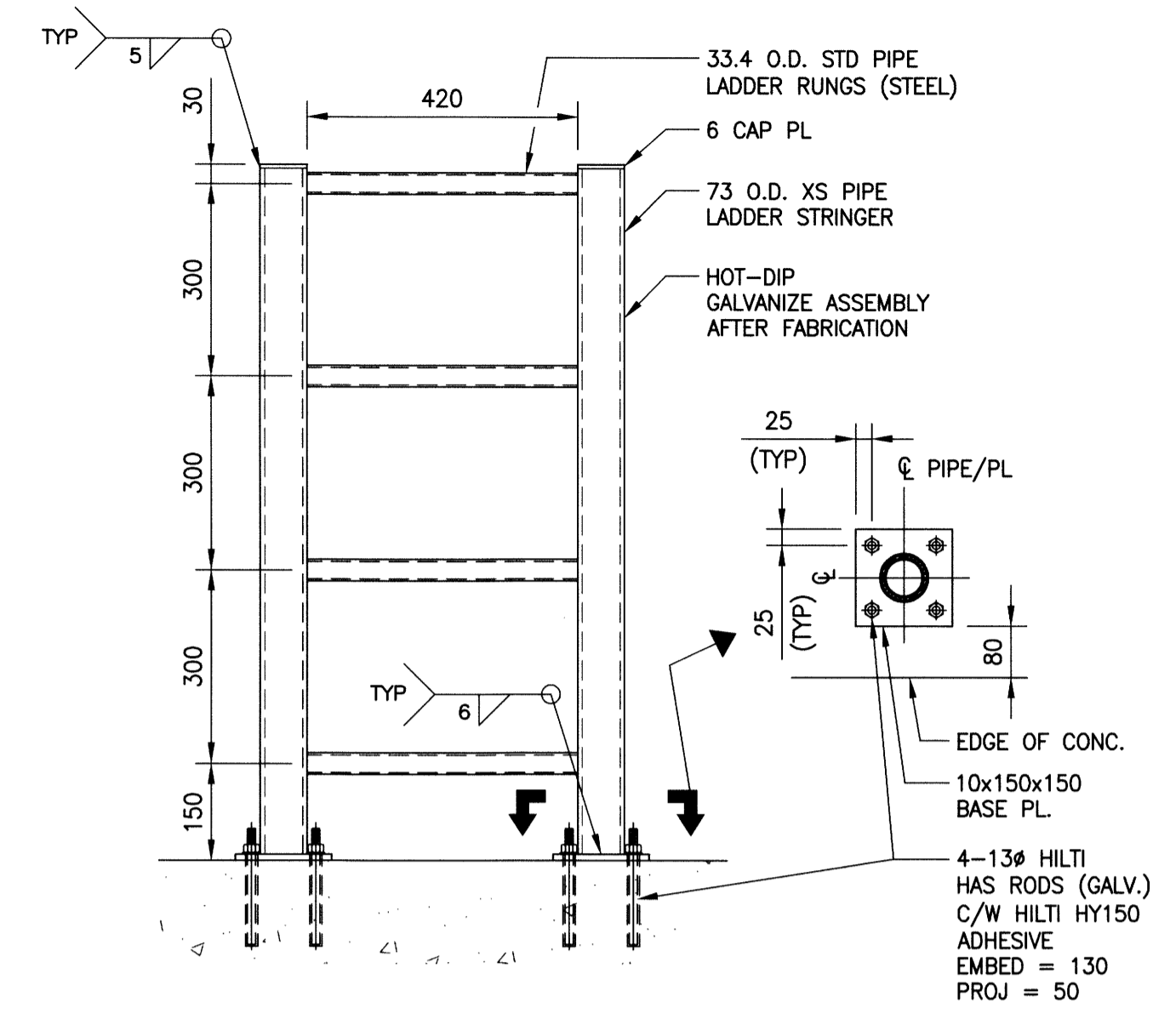
6 PARTIAL SECTION
S02 SCALE: 1:20



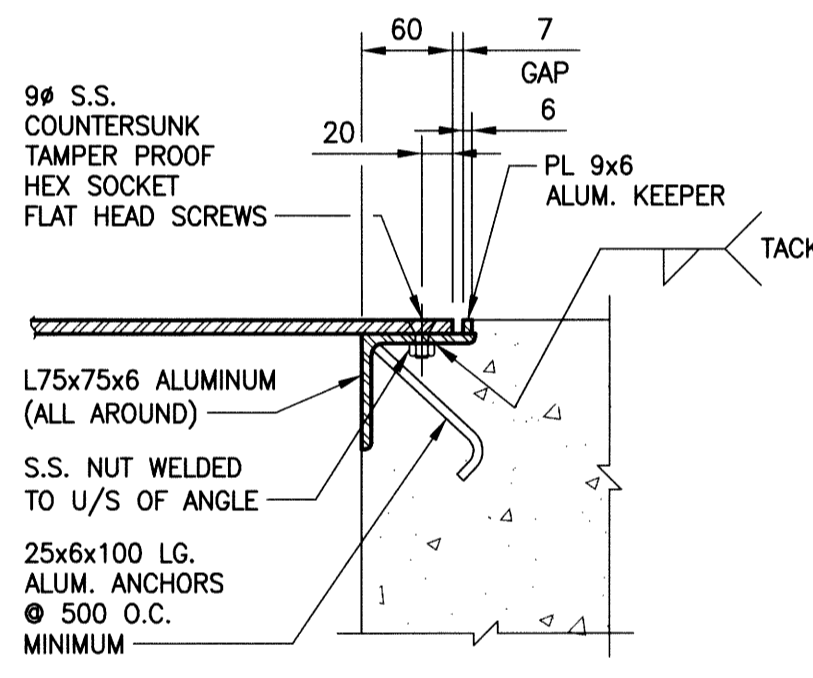
7 PARTIAL SECTION
S02 SCALE: 1:20



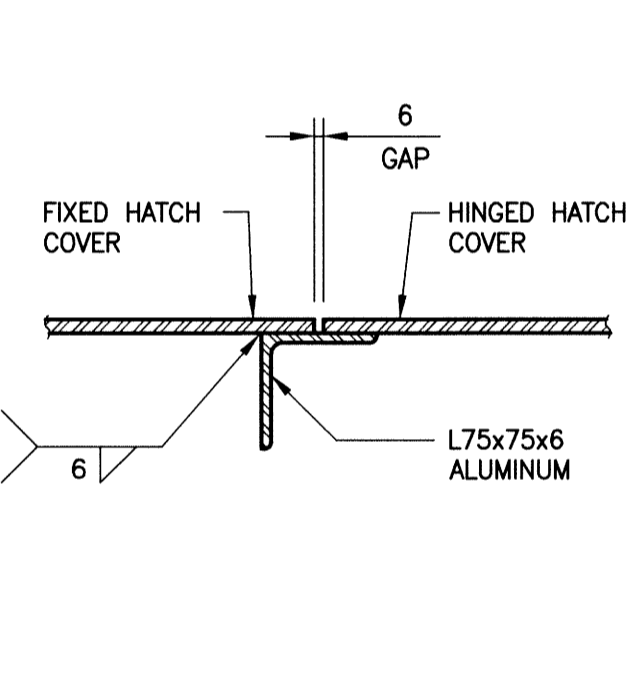
8 PARTIAL SECTION
S02 SCALE: 1:20



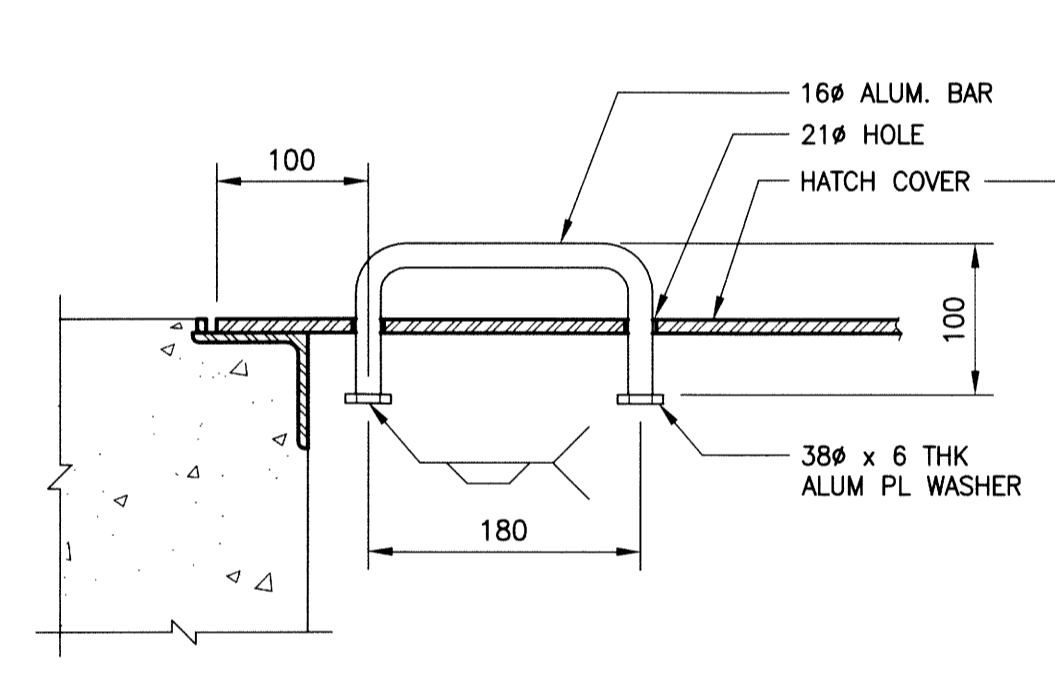
DETAIL 16 - LADDER EXTENSION (2 REQ'D.)
SCALE: 1:10



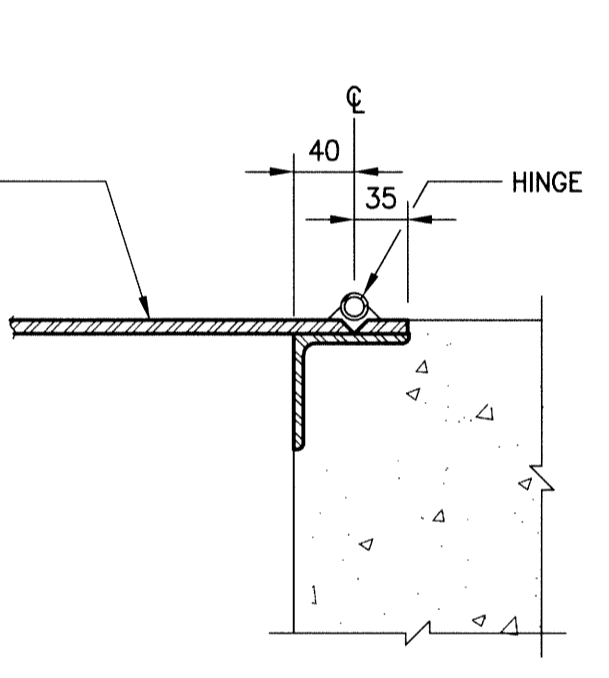
SECTION A-A
SCALE: 1:5



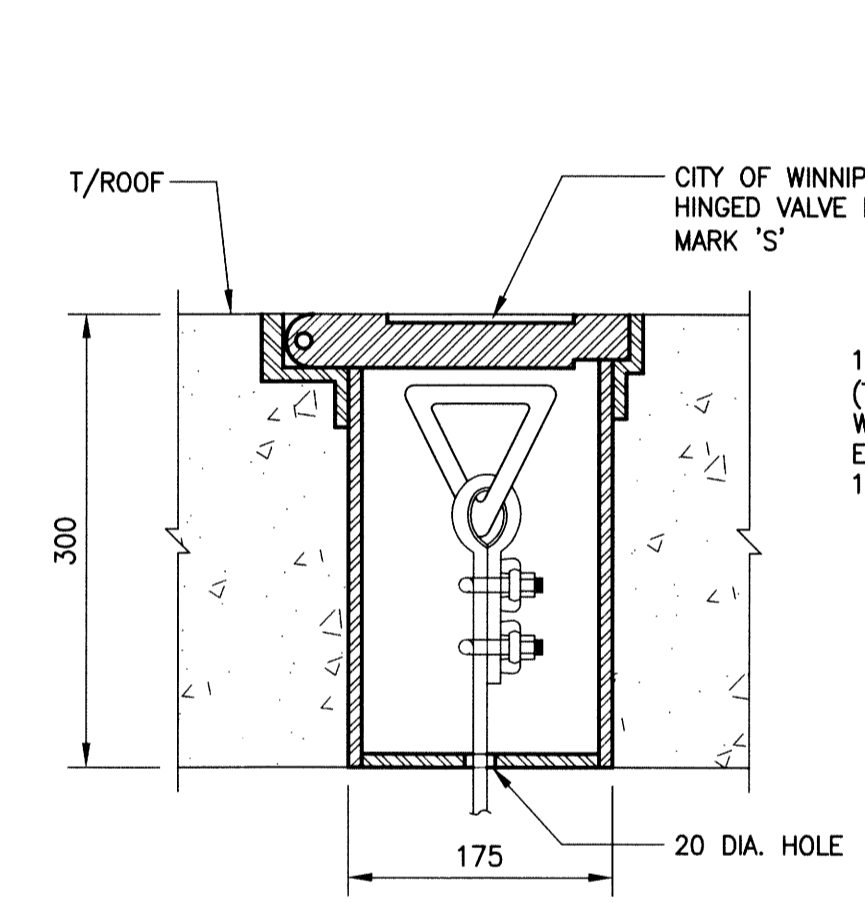
SECTION B-B
SCALE: 1:5



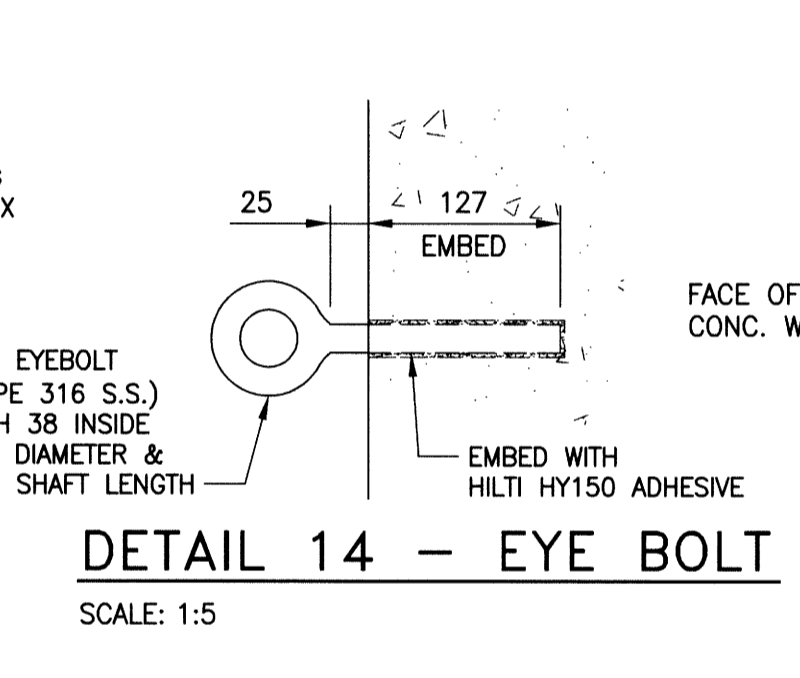
SECTION C-C
SCALE: 1:5



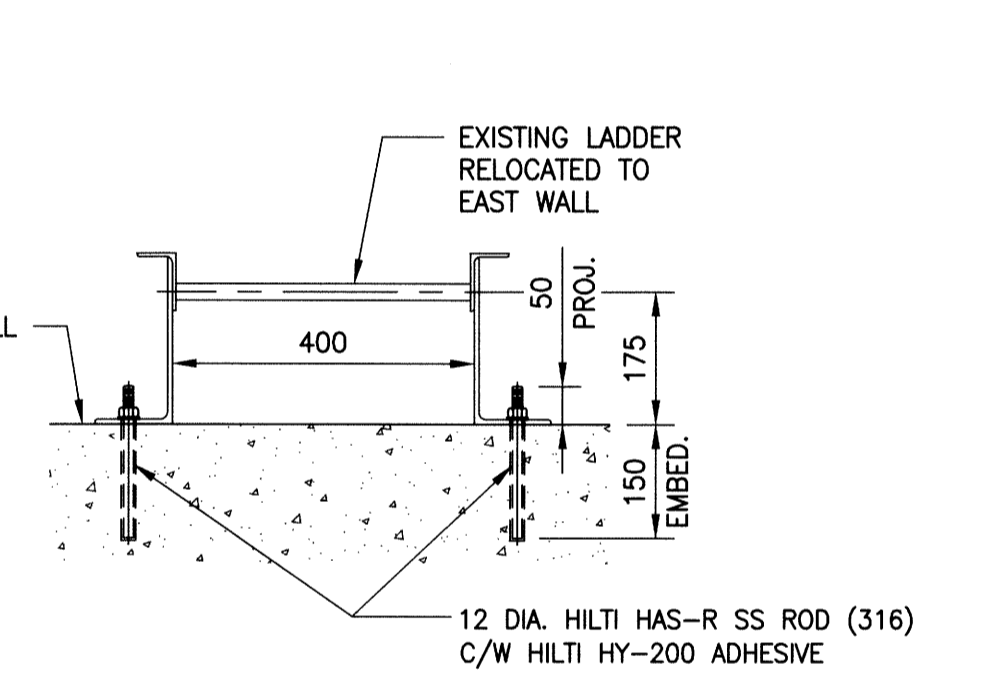
SECTION D-D
SCALE: 1:5



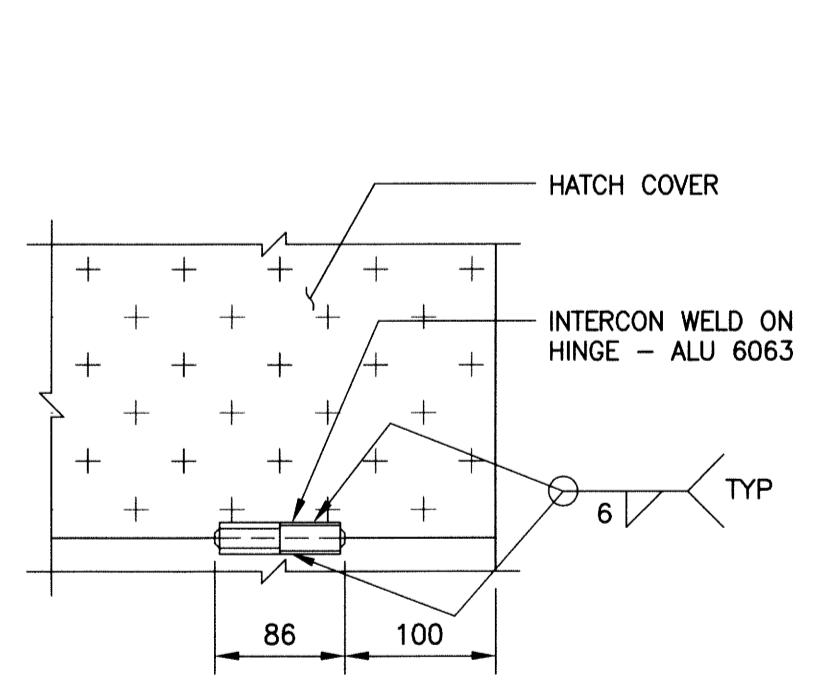
T/ROOF
SCALE: 1:5



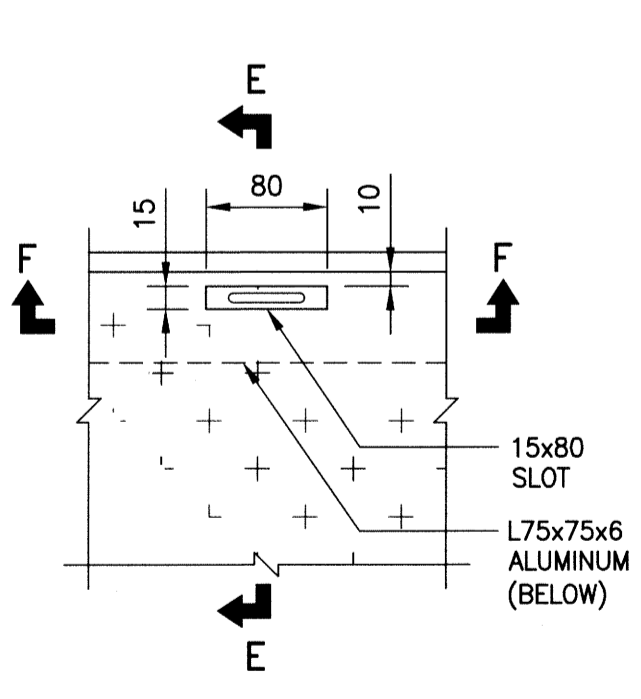
DETAIL 14 - EYE BOLT
SCALE: 1:5



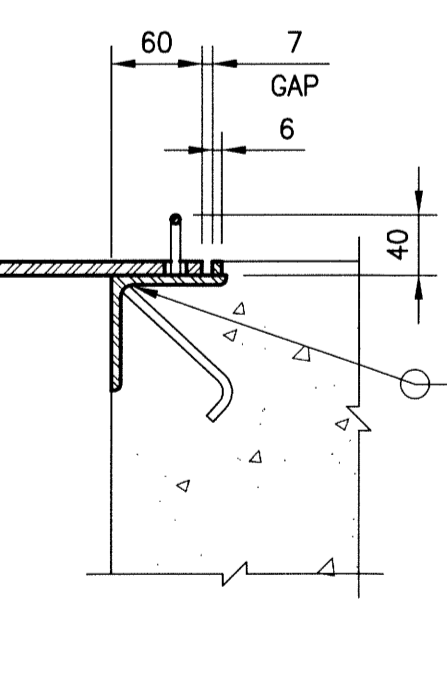
DETAIL 15 - EXIST. LADDER ANCHORING
SCALE: 1:10



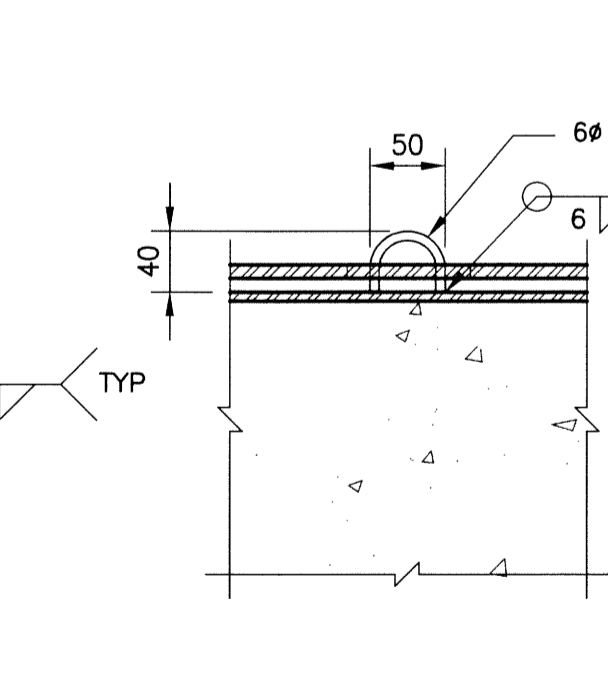
DETAIL 9
SCALE: 1:5



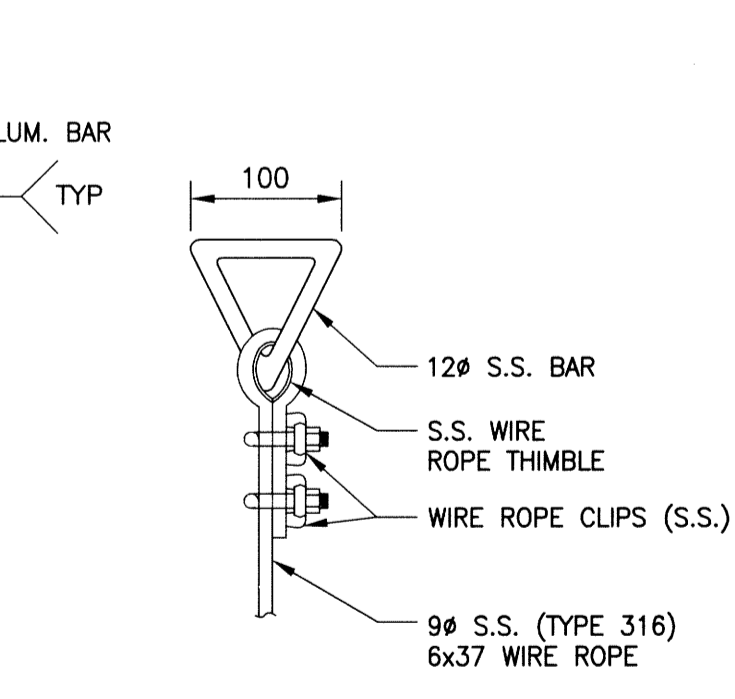
DETAIL 10
SCALE: 1:5



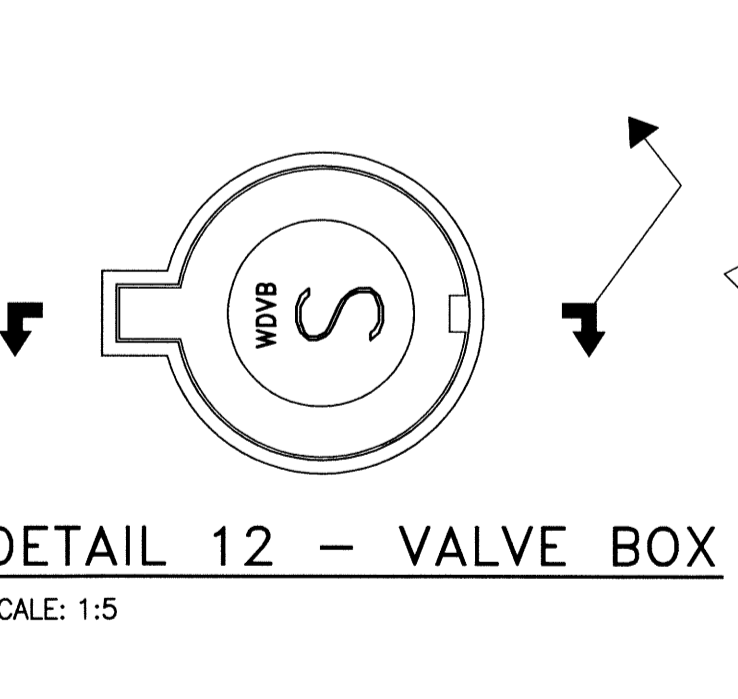
SECTION E-E
SCALE: 1:5



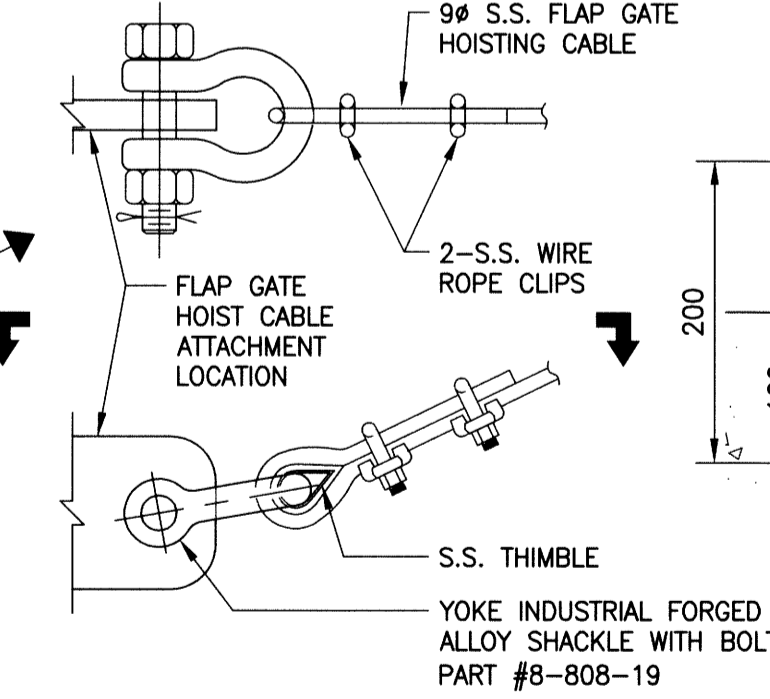
SECTION F-F
SCALE: 1:5



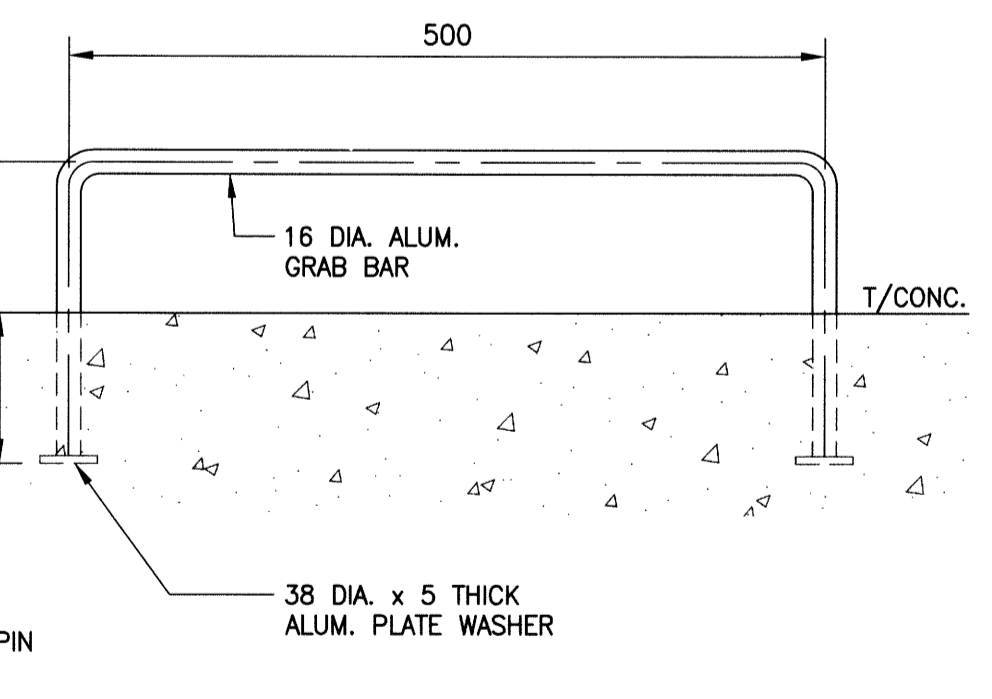
DETAIL 11 - LIFTING RING
SCALE: 1:5



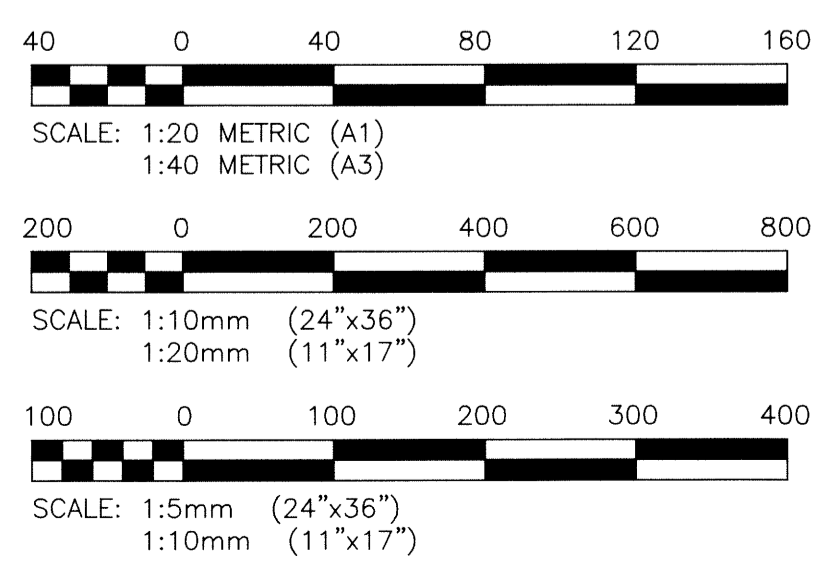
DETAIL 12 - VALVE BOX
SCALE: 1:5



DETAIL 13 - HOIST CABLE
SCALE: 1:5

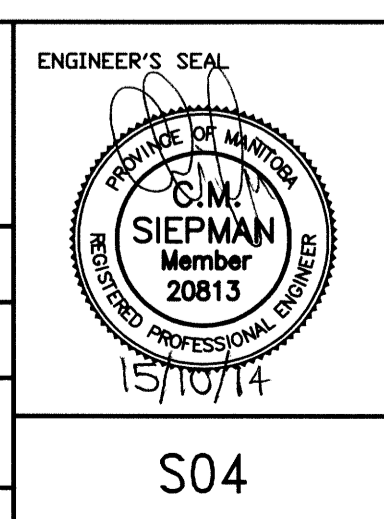


DETAIL 17 - GRAB BAR
SCALE: 1:5



FIELD BOOK #:	
POSTED TO LBIS	
ISSUED FOR TENDER	14/10/14
NO. REVISIONS	DATE BY

DESIGNED BY KRD		CHECKED BY CMS	
DRAWN BY FBV		APPROVED BY	
HOR. SCALE AS NOTED		RELEASED FOR CONSTRUCTION	
VERTICAL AS NOTED		DATE 2014 08 07	
DATE		DATE	



THE CITY OF WINNIPEG
WATER AND WASTE DEPARTMENT

LEE BLVD OUTLET CHAMBER UPGRADES

STRUCTURAL
MISCELLANEOUS METALS
SECTIONS AND DETAILS

SHEET 1 OF 1
CITY DRAWING NUMBER
1-0539L-S0004-001