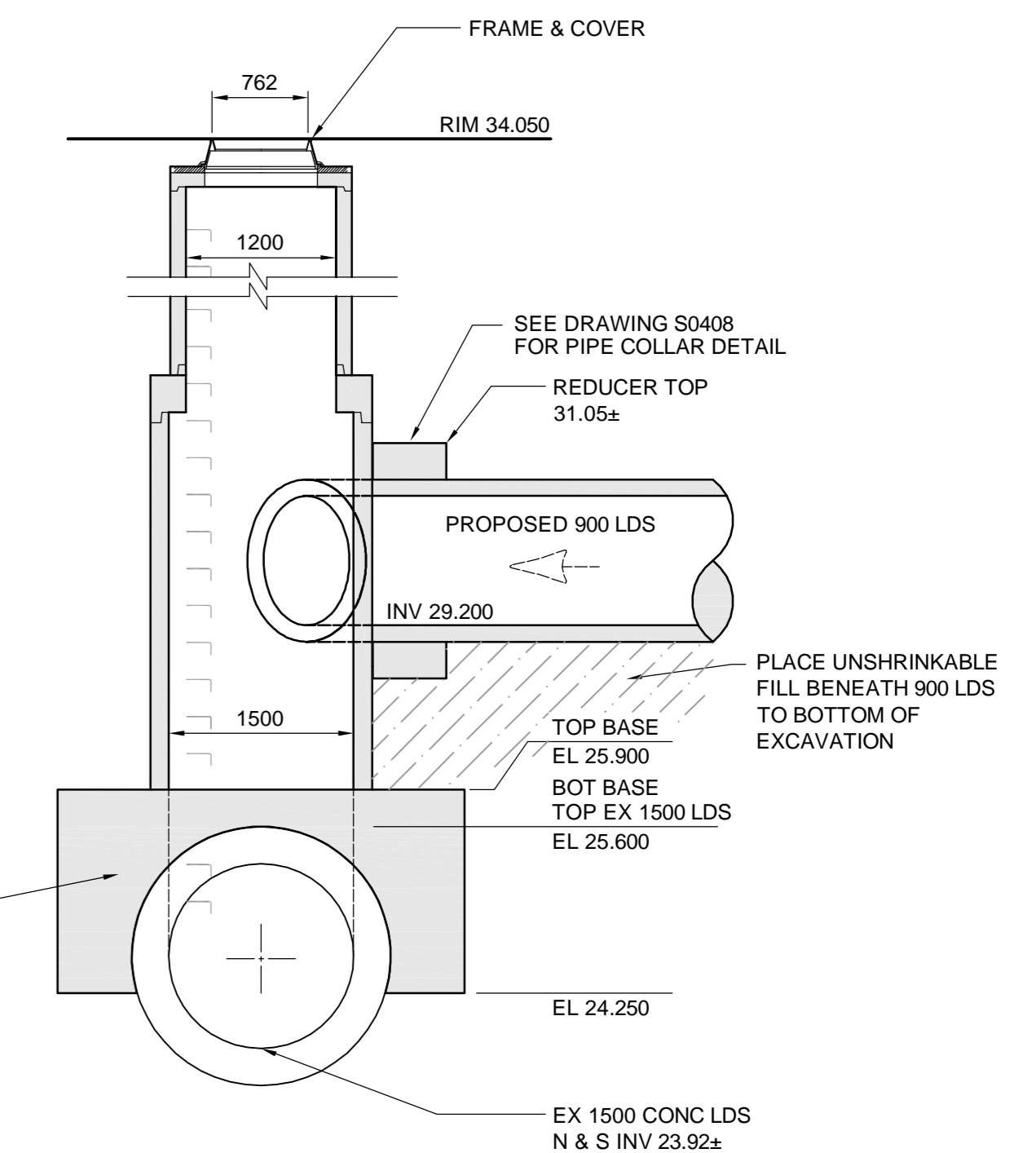


1
C0407 C0407 1:50
MH S430 CENTURY ST MANHOLE (PLAN)

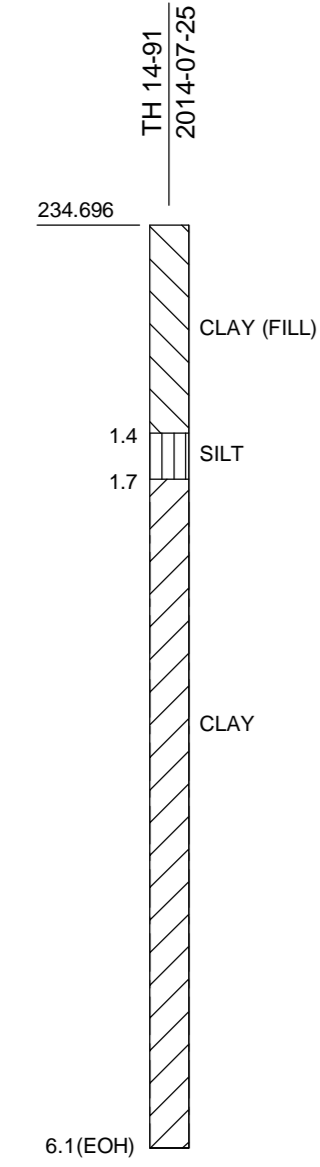


2
C0407 C0407 1:50
MH S430 CENTURY ST MANHOLE (SECTION)

NOTE:
DRAINAGE CONNECTION SHOWN AS INSTALLATION OF NEW CB'S IN BOULEVARD CONNECTING TO EX C & GI, TO AVOID WORK ON 2014 ASPHALT OVERLAY. CLEAN AND ASSESS CONDITION OF EX C & GI BEFORE CONSTRUCTION, AND REMOVE AND REPLACE WITH NEW CB IF IN POOR CONDITION.

- CONSTRUCTION NOTES:
1. LOCATION OF ALL SEWER AND WATER LINES TO BE CONFIRMED IN THE FIELD.
 2. SEWER AND WATER SERVICES SHOWN ON DRAWINGS ARE APPROXIMATE ONLY.
 3. INSTALL NEW SEWER AND CATCHBASIN LEADS BY TRENCHLESS METHODS, UNLESS NOTED OTHERWISE.
 4. CATCHBASIN LEAD RISERS TO BE TYPE 'B' (SD-015).
 5. MINIMIZE STOCKPILING OF MATERIALS ON 2014 ASPHALT OVERLAY.

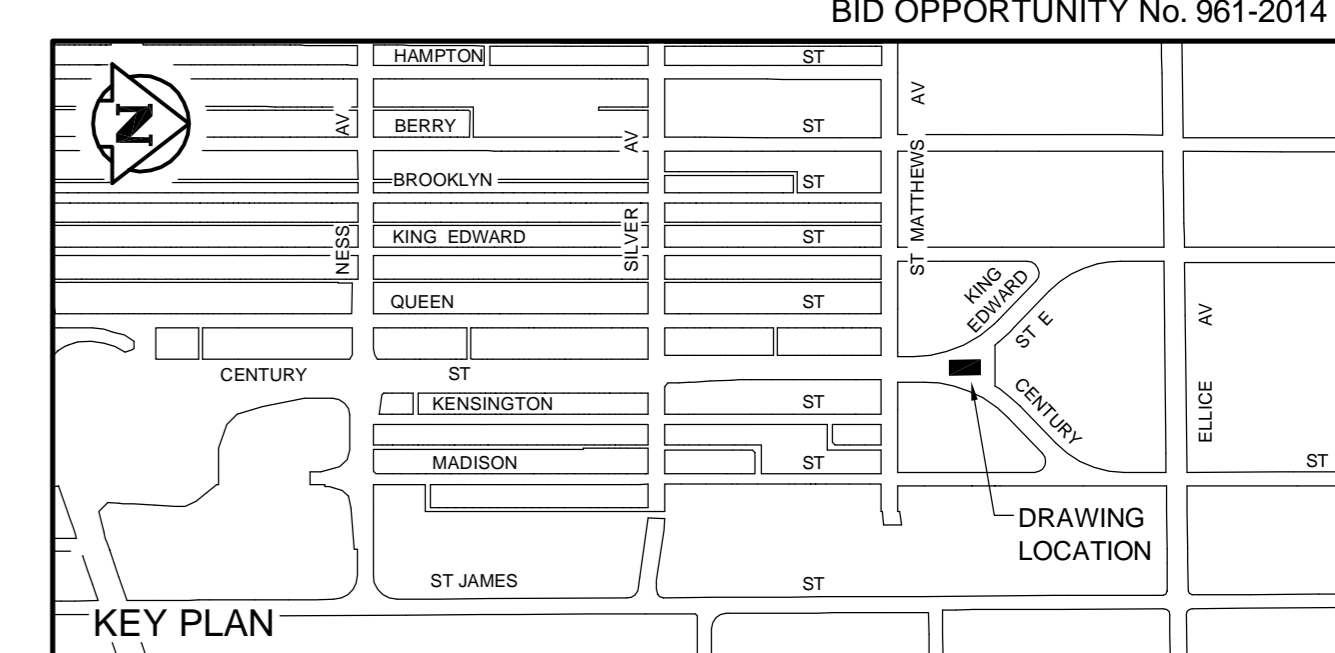
- GENERAL NOTES:
1. SEE SPECIFICATIONS FOR DETAILED TEST HOLE INFORMATION.



PLUG AND ABANDON EX. CB LEAD
INSTALL NEW CB (SD-025)
C/W SOLID COVER (AP-005)
INSTALL 2.5 OF 250 CB LEAD AT 1.0%
INSTALL 25.4 OF 250 CB LEAD AT 3.0%
RIM 34.16±, INV 32.51, BOT 31.91,

PLUG AND ABANDON EX CB LEADS
INSTALL NEW CB (SD-025)
C/W SOLID COVER (AP-005)
INSTALL 2.0 OF 250 CB LEAD AT 1.0%
INSTALL 10.4 OF 250 CB LEAD AT 2.0%
RIM 34.35±, INV 32.70, BOT 32.10

PLUG AND ABANDON EX. CB LEADS
INSTALL NEW CB (SD-025)
C/W SOLID COVER (AP-005)
INSTALL 2.5 OF 250 CB LEAD AT 1.0%
INSTALL 40.1 OF 250 CB LEAD AT 2.5%
RIM 34.40±, INV 32.75, BOT 31.15,



APEGM
Certificate of Authorization
TETRA TECH WEI Inc.
No. 5313 Date: April 30, 2015

WARNING
IF POWER EQUIPMENT OR EXPLOSIVES ARE TO BE USED FOR EXCAVATION ON THIS PROJECT THE CONTRACTOR MUST:
1. NOTIFY THE GAS COMPANY OF THE PROPOSED LOCATION OF EXCAVATION.
2. TAKE PRECAUTION TO AVOID DAMAGE TO GAS COMPANY INSTALLATIONS. SEE PROVINCIAL REGULATION 140/92 FOR DETAILS.

EXISTING	LEGEND-PLAN	PROPOSED	EXISTING	LEGEND-PLAN	PROPOSED	EXISTING	LEGEND-PLAN	PROPOSED
150 WM	WATERMAIN	150 WM	ANCHOR	ANCHOR	ANCHOR	15.240	LEGAL DIMENSION	LEGAL DIMENSION
400 FM	FEEDERMAIN	400 FM	BEND	BEND	BEND		SURVEY BAR	SURVEY BAR
300 LDS	LAND DRAINAGE SEWER	300 LDS	TEE	TEE	TEE		TRAFFIC SIGNAL	TRAFFIC SIGNAL
250 WWS	WASTEWATER SEWER	250 WWS	CURB STOP	CURB STOP	CURB STOP		GAS	GAS
300 CS	COMBINED SEWER	300 CS	PLUG	PLUG	PLUG		HYDRO	HYDRO
200 FCM	FORCEMAIN	200 FCM	MANHOLE	MANHOLE	MANHOLE		MTS	MTS
	JUNCTIONS		CATCHBASIN	CATCHBASIN	CATCHBASIN		SIDEWALK	SIDEWALK
	HYDRANT		CURB INLET	CURB INLET	CURB INLET		CURB	CURB
	VALVE		ADDRESS	ADDRESS	ADDRESS			
	REDUCER		HYDRO POLE	HYDRO POLE	HYDRO POLE			
	LEGEND-PLAN		LIGHT STANDARD	LIGHT STANDARD	LIGHT STANDARD			

LOCATION APPROVED UNDERGROUND STRUCTURES
SUPV. U/G STRUCTURES COMMITTEE DATE
NOTE: LOCATION OF UNDERGROUND STRUCTURES AS SHOWN ARE BASED ON THE BEST INFORMATION AVAILABLE. BUT NO GUARANTEE IS GIVEN THAT ALL EXISTING UTILITIES ARE SHOWN OR THAT THE GIVEN LOCATIONS ARE EXACT. CONFIRMATION OF EXISTENCE AND EXACT LOCATION OF ALL SERVICES MUST BE OBTAINED FROM THE INDIVIDUAL UTILITIES BEFORE PROCEEDING WITH CONSTRUCTION.

B.M. CITY OF WINNIPEG 38-069
ELEV. 233.792m

NO.	REVISIONS	DATE	BY
01	ISSUED FOR TENDER	14.10.16	KJM
00	ISSUED FOR APPROVAL	14.10.15	KJM

TETRA TECH

DESIGNED BY: KJM, GWC
CHECKED BY: KJM
DRAWN BY: NU/GMD
APPROVED BY: GS
HOR. SCALE: 1:250
VERTICAL: 1:50
DATE: 14.09.16

PROVINCE OF MANITOBA
K.J. McRAE
REGISTERED PROFESSIONAL ENGINEER
CONSULTANT DRAWING NO. 1000120300-DWG-C0150

THE CITY OF WINNIPEG
WATER AND WASTE DEPARTMENT
FERRY ROAD AND RIVERBEND COMBINED SEWER RELIEF WORKS CONTRACT 4
CENTURY STREET AT KING EDWARD STREET

CITY DRAWING NUMBER LD-7378
SHEET 7 OF 9
C0407

BID OPPORTUNITY No. 961-2014