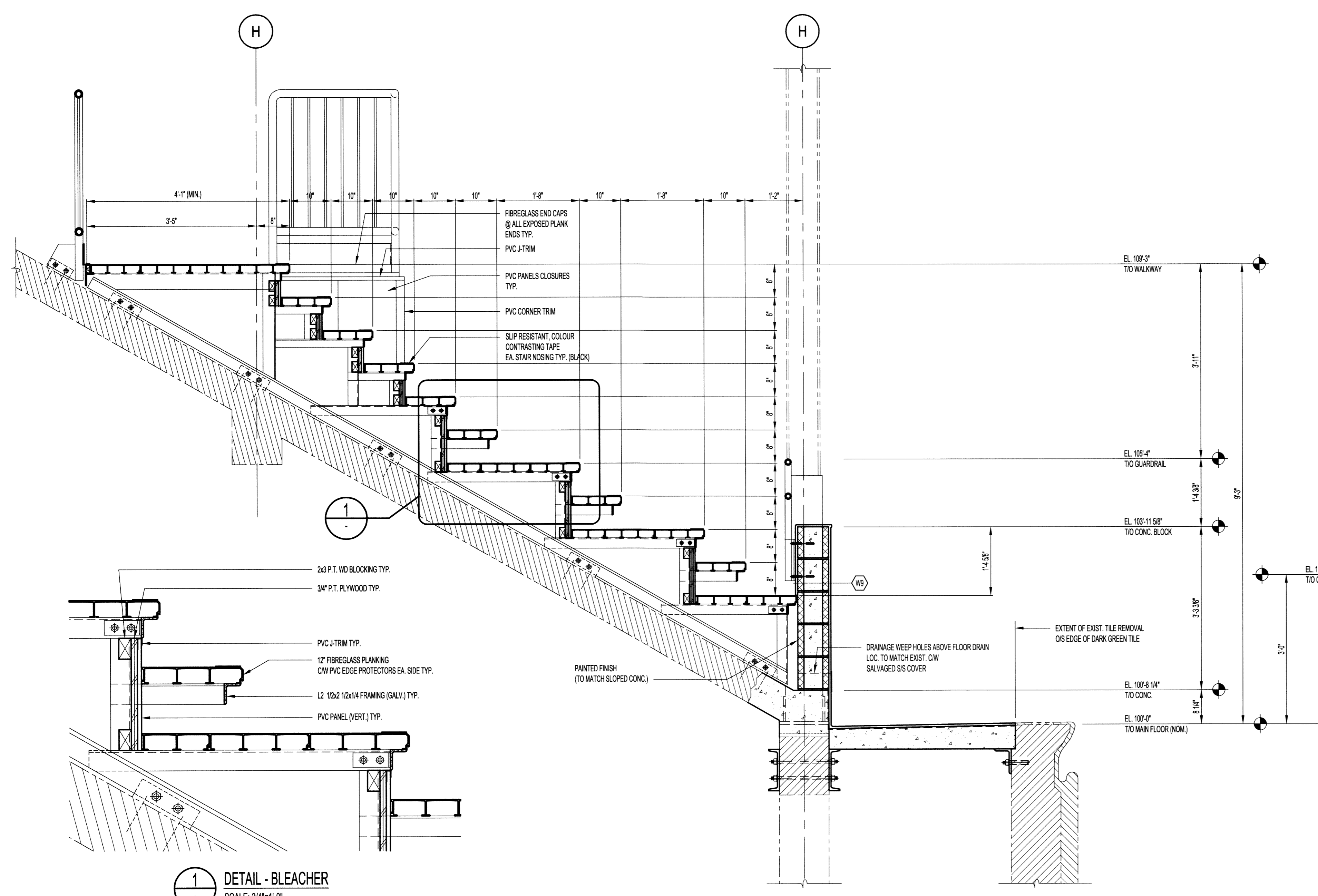
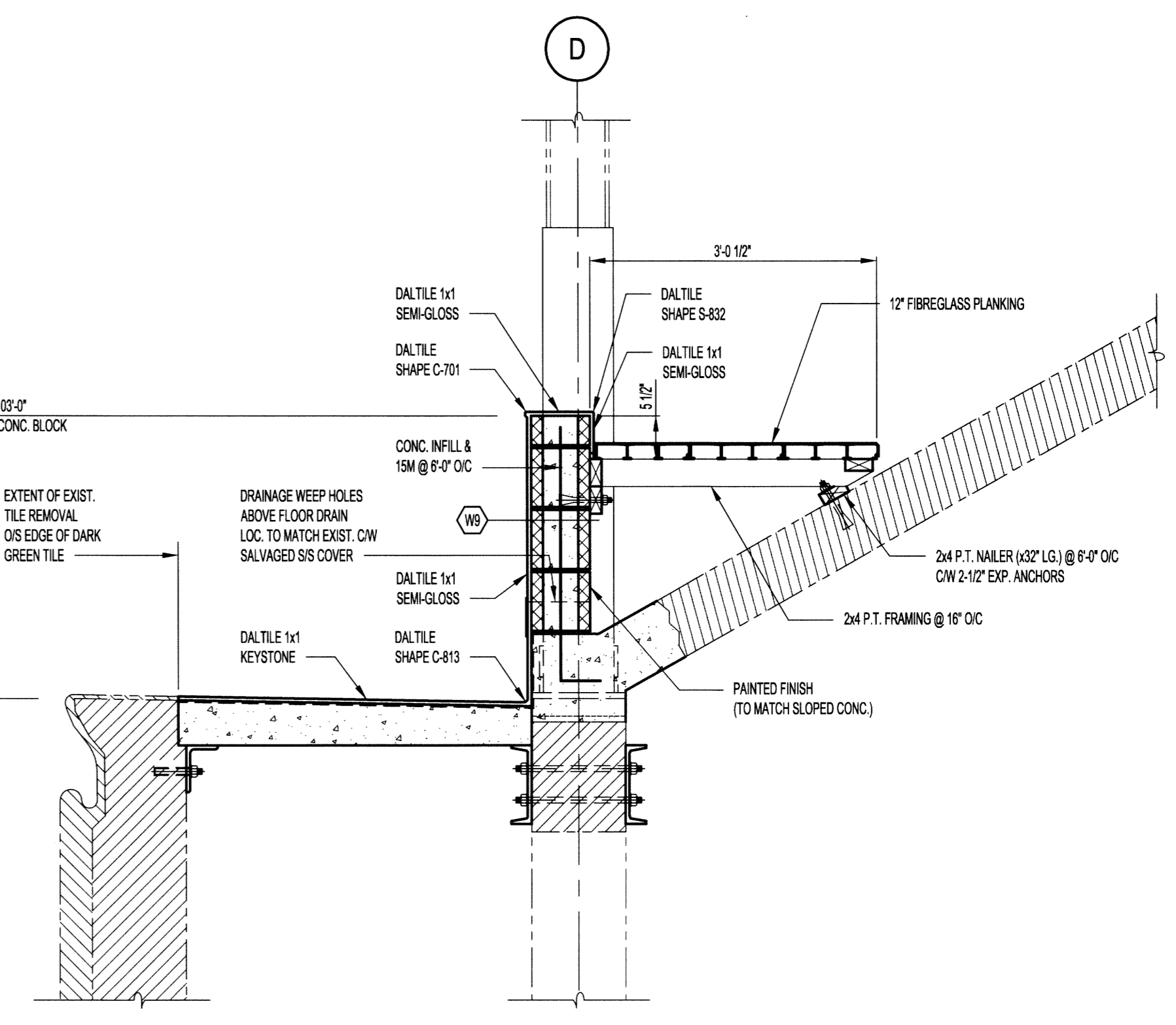


FILE NAME: 14-0107-021_B18.dwg
 DATE: 2014.10.27
 SHEET TITLE: SECTIONS - RENOVATED
 PROJECT No: 2013-173
 ADDRESS: 381 SHERBROOK STREET

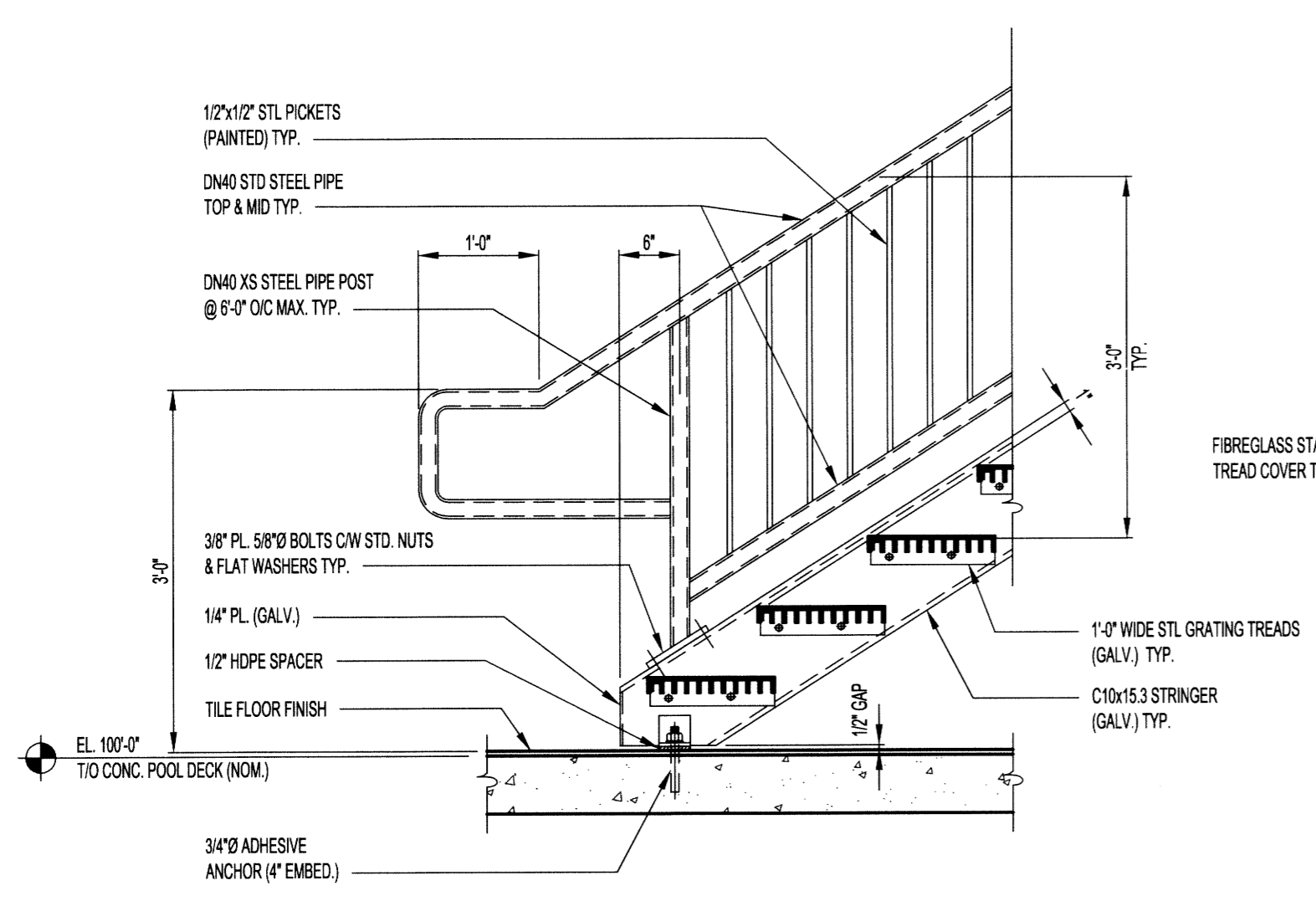


1 DETAIL - BLEACHER
 SCALE: 3/4"=1'-0"

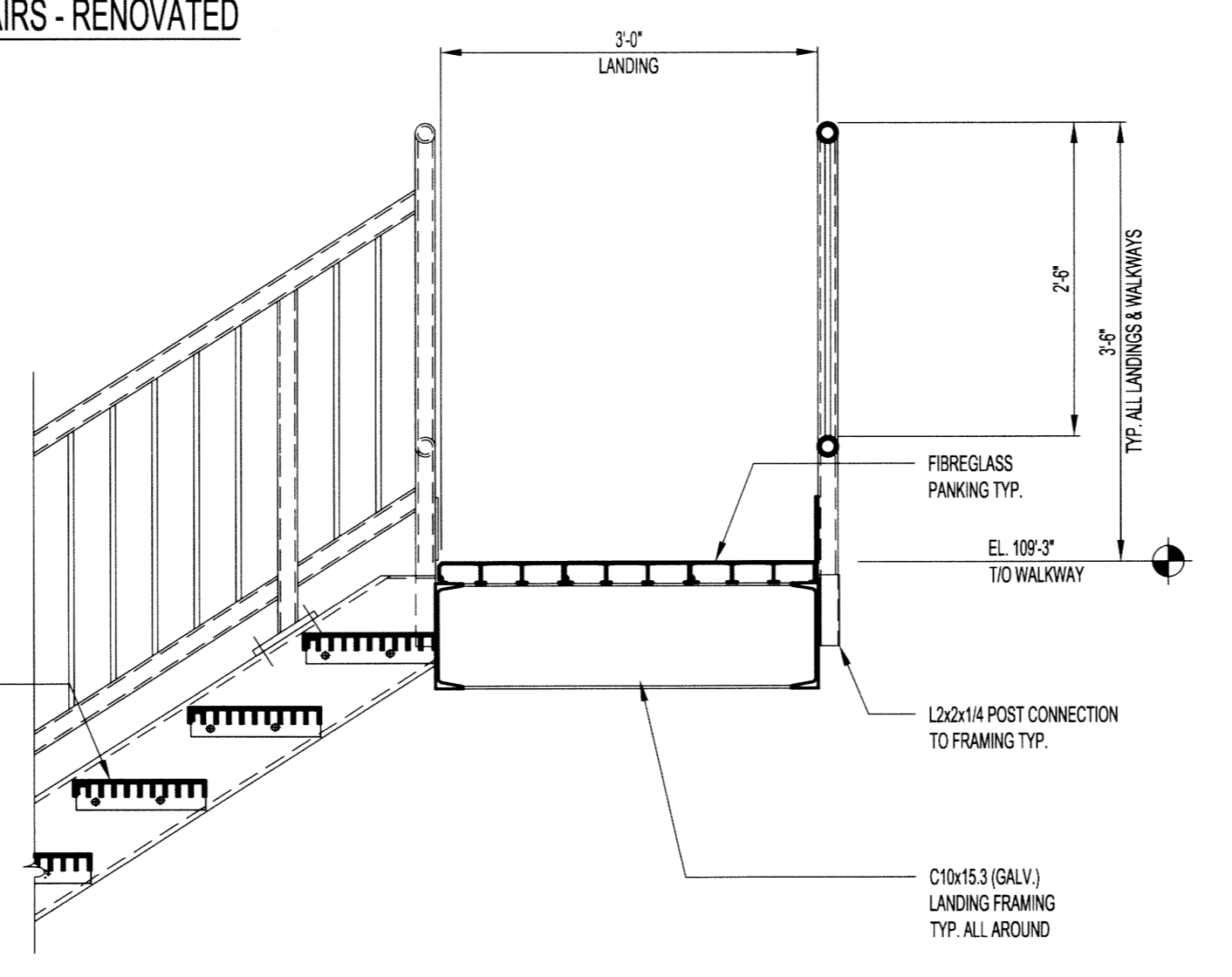
A SECTION - BLEACHER STAIRS - RENOVATED
 SCALE: 3/4"=1'-0"



B SECTION - POOL STORAGE PLATFORM - RENOVATED
 SCALE: 3/4"=1'-0"



C SECTION - STAIRS - RENOVATED
 SCALE: 3/4"=1'-0"



D SECTION - STAIRS - RENOVATED
 SCALE: 3/4"=1'-0"

NOTES:
 THESE DRAWINGS SHALL NOT BE SCALED.
 THE CONTRACTOR SHALL VISIT THE SITE AND SATISFY ONESELF ALL DIMENSIONS, DATUM, AND DETAILED INFORMATION SHOWN ARE CORRECT.
 THE CONTRACTOR IS TO REVIEW AND COORDINATE ALL ARCHITECTURAL, MECHANICAL, ELECTRICAL AND STRUCTURAL DRAWINGS FOR ADDITIONAL OPENINGS THROUGH FLOORS, WALLS, AND CEILINGS FOR DUCT, PIPE & ELECTRICAL RISERS AND ALL OPENINGS NOT SHOWN ON DRAWINGS.
 ALL OPENINGS THROUGH FIRE ASSEMBLIES ARE TO BE FIRE STOPPED AND SEALED WITH ULC APPROVED FIRE STOPPING TO MAINTAIN THE INTEGRITY OF THE FIRE SEPARATION, AND PROVIDE A SMOKE-TIGHT BARRIER.
 ALL PRODUCTS AND MATERIALS TO BE USED AND INSTALLED SHALL CONFORM WITH MANUFACTURER'S SPECIFICATIONS & APPLICABLE CODES.
 THE CONTRACTOR SHALL BE RESPONSIBLE TO PATCH AND MAKE GOOD ALL EXISTING CONSTRUCTION AFFECTED BY THE REMOVAL OF ALL ITEMS FORMING THE PART OF THE RENOVATION WORK.
 WHERE NEW FLOORING AND BASE IS TO BE INSTALLED IN EXISTING AREAS (REFER TO FLOOR PLAN AND ROOM SCHEDULE) THE EXISTING FLOORING SURFACE AND BASE MUST BE REMOVED, UNLESS OTHERWISE NOTED. ALL FLOOR SURFACES SHALL BE PREPARED IN ACCORDANCE TO MANUFACTURER'S RECOMMENDATIONS FOR INSTALLATION OF NEW FLOOR.
 WHERE PAINTING OF EXISTING WALLS IS INDICATED ON THE ROOM SCHEDULE, THESE WALLS MUST BE CLEANED OF ANY EXISTING WALL COVERING, PATCHED & PREPARED TO ACCEPT NEW MATERIAL, UNLESS OTHERWISE NOTED.

0	ISSUED FOR CONSTRUCTION	15.02.17
No.	REVISION/DESCRIPTION	BY DATE



DRAWN	SNH	CHECKED	DESIGNED	RUL	APPROVED
DATE	2014.10.27	USER	APPROVAL		

THE CITY OF WINNIPEG
 PLANNING, PROPERTY AND
 DEVELOPMENT DEPARTMENT
 MUNICIPAL ACCOMMODATIONS DIVISION
 3-65 GARRY STREET, R3C 4K4

PROJECT
SHERBROOK POOL
REFURBISHMENT OF SHERBROOK POOL

381 SHERBROOK STREET
 SHEET TITLE

BUILDING
 SECTIONS
 RENOVATED

SCALE	PROJECT No:	SHEET No:
AS SHOWN	2013-173	B18

