

BASEMENT FLOOR PLAN - POWER & SYSTEMS
SCALE: 1/8"=1'-0"

- GENERAL CONSTRUCTION NOTES:**
1. ALL NEW WIRING SHALL BE RUN IN NEW CONDUIT.
 2. ALL PENETRATIONS THROUGH FIRE SEPARATIONS SHALL BE FIRE STOPPED. FOR ALL FIRE STOPPING, CONTRACTOR SHALL ENSURE THE WALL RATING IS MAINTAINED.
 3. VERIFY LOAD ON EXISTING CIRCUITS PRIOR TO CONNECTION OF NEW LOADS.

- ELECTRICAL NOTES:**
1. SUPPLY AND INSTALL A 200V, 2300W HAND DRYER COMPLETE WITH 1/10 HP FAN, MOTION ACTIVATED, SWIVEL OUTLET AND 1/4" THICK CAST IRON ENCLOSURE WITH WHITE PORCELAIN ENAMEL FINISH (WORLD DRYER - XAS4).
 2. EXTEND LINEAR HEAT DETECTION CABLE ALONG THE CEILING AND INTO EACH BEAM POCKET.
 3. HEAT DETECTION CABLE ROUTING SHOWN IS DIAGRAMMATIC ONLY. CONTRACTOR SHALL ENSURE LOCATION AND QUANTITY OF WIRE ARE TO THE MANUFACTURER'S SPECIFICATIONS. INSTALL HEAT DETECTION CABLE AS PER MANITOBA BUILDING CODE REQUIREMENTS AND AS PER CANULC S24.
 4. PROVIDE HEAT DETECTION CABLE WITH APPROVED LISTED FASTENERS AND TERMINATING HARDWARE.
 5. PROVIDE A 3' WHIP OF HEAT DETECTION CABLE (MINIMUM) WITHIN THE JUNCTION BOX FOR TESTING PURPOSES. MOUNT JUNCTION BOX AT 5' AFF.
 6. COORDINATE EXACT LOCATION OF MECHANICAL EQUIPMENT WITH THE MECHANICAL DRAWINGS.
 7. BOND THE WATER LINE, AS IT ENTERS THE BUILDING TO THE NEW GROUND BUS USING A #6 AWG BARE COPPER GROUND.

NOTES:

THESE DRAWINGS SHALL NOT BE SCALED.

THE CONTRACTOR SHALL VISIT THE SITE AND SATISFY HIMSELF ALL DIMENSIONS, DATUM, AND DETAILED INFORMATION SHOWN ARE CORRECT.

THE CONTRACTOR IS TO REVIEW AND COORDINATE ALL ARCHITECTURAL, MECHANICAL, ELECTRICAL AND STRUCTURAL DRAWINGS FOR ADDITIONAL OPENINGS THROUGH FLOORS, WALLS, AND CEILINGS FOR DUCT, PIPE & ELECTRICAL RISERS AND ALL OPENINGS NOT SHOWN ON DRAWINGS.

ALL OPENINGS THROUGH FIRE ASSEMBLIES ARE TO BE FIRE STOPPED AND SEALED WITH LUC APPROVED FIRE STOPPING TO MAINTAIN THE INTEGRITY OF THE FIRE SEPARATION, AND PROVIDE A SMOKE-TIGHT BARRIER.

ALL PRODUCTS AND MATERIALS TO BE USED AND INSTALLED SHALL CONFORM WITH MANUFACTURER'S SPECIFICATIONS & APPLICABLE CODES.

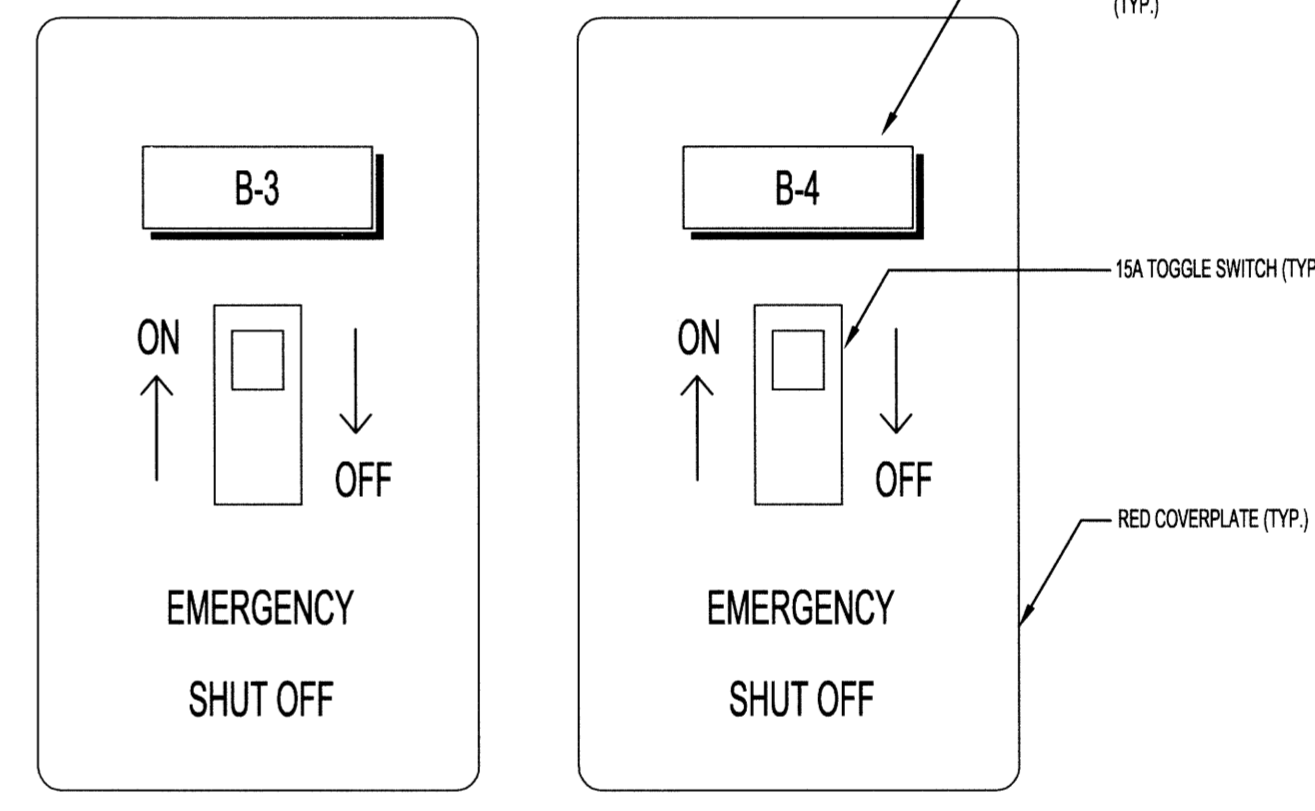
THE CONTRACTOR SHALL BE RESPONSIBLE TO PATCH AND MAKE GOOD ALL EXISTING CONSTRUCTION AFFECTED BY THE REMOVAL OF ALL ITEMS FORMING THE PART OF THE RENOVATION WORK.

WHERE NEW FLOORING AND BASE IS TO BE INSTALLED IN EXISTING AREAS (REFER TO FLOOR PLAN AND ROOM SCHEDULE) THE EXISTING FLOORING SURFACE AND BASE MUST BE REMOVED, UNLESS OTHERWISE NOTED. ALL FLOOR SURFACES SHALL BE PREPARED IN ACCORDANCE TO MANUFACTURER'S RECOMMENDATIONS FOR INSTALLATION OF NEW FLOOR.

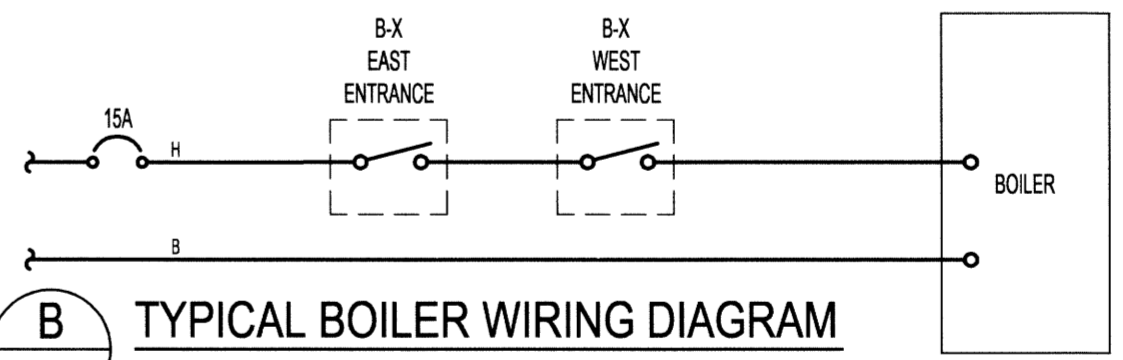
WHERE PAINTING OF EXISTING WALLS IS INDICATED ON THE ROOM SCHEDULE, THESE WALLS MUST BE CLEANED OF ANY EXISTING WALL COVERING, PATCHED & PREPARED TO ACCEPT NEW MATERIAL, UNLESS OTHERWISE NOTED.

- LEGEND:**
- LINEAR HEAT DETECTION CABLE
 - END OF LINE RESISTOR JUNCTION BOX (NOTE 5)
 - JUNCTION BOX
 - PANELBOARD
 - 30 MOTOR LOAD
 - 10 MOTOR LOAD
 - STARTER
 - DISCONNECT SWITCH
 - HYDRONIC FORCE FLOW HEATER
 - HYDRONIC UNIT HEATER
 - EQUIPMENT
 - FIRE ALARM PULL STATION 4X = NEMA 4X ENCLOSURE
 - FIRE ALARM HORN/STROBE
 - DENOTES: CM = CEILING MOUNT 4X = NEMA 4X ENCLOSURE DENOTES NUMBER OF CANDELA FOR STROBE
 - FIRE ALARM HORN/STROBE
 - SMOKE DETECTOR
 - HEAT DETECTOR
 - METER
 - HAND DRYER (NOTE 1)
 - FIRE ALARM CONTROL PANEL
 - DUPLEX RECEPTACLE
 - GFI = GROUND FAULT INTERRUPT

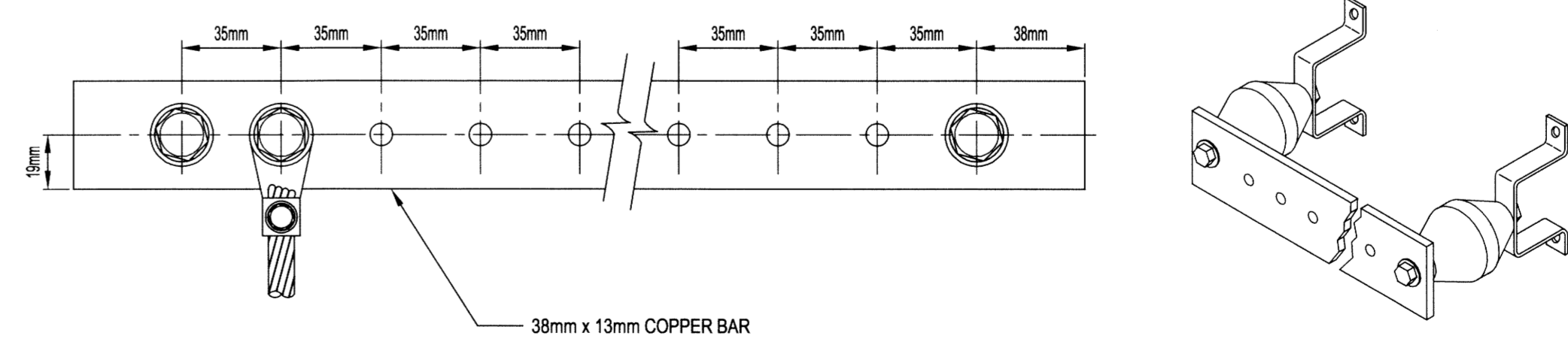
ONE OF TWO SERIES CONNECTED BOILER DISCONNECT SWITCHES



A EMERGENCY SHUT OFF
SCALE: N.T.S.



B TYPICAL BOILER WIRING DIAGRAM
SCALE: N.T.S.



C GROUND BUS DETAIL AND SECTION
SCALE: N.T.S.

0	ISSUED FOR CONSTRUCTION	CL	15.02.17
No.	REVISION/DESCRIPTION	BY	DATE

SEAL

PROVINCE OF MANITOBA
C. L. SARARAS
Member
32818
2015-02-13

DRAWN	GCN	CHECKED	DESIGNED	CLS	APPROVED
DATE	2014.10.27	USER	APPROVAL		

Winnipeg
THE CITY OF WINNIPEG
PLANNING, PROPERTY AND
DEVELOPMENT DEPARTMENT
MUNICIPAL ACCOMMODATIONS DIVISION
3-65 GARRY STREET, R3C 4K4

PROJECT
SHERBROOK POOL
REFURBISHMENT OF SHERBROOK POOL

381 SHERBROOK STREET
SHEET TITLE

ELECTRICAL
BASEMENT FLOOR PLAN
POWER & SYSTEMS

SCALE AS SHOWN PROJECT No: 2013-173 SHEET No: E09

APEGM
Certificate of Authorization
KGS Group
No. 245

KGS GROUP
CONSULTING ENGINEERS