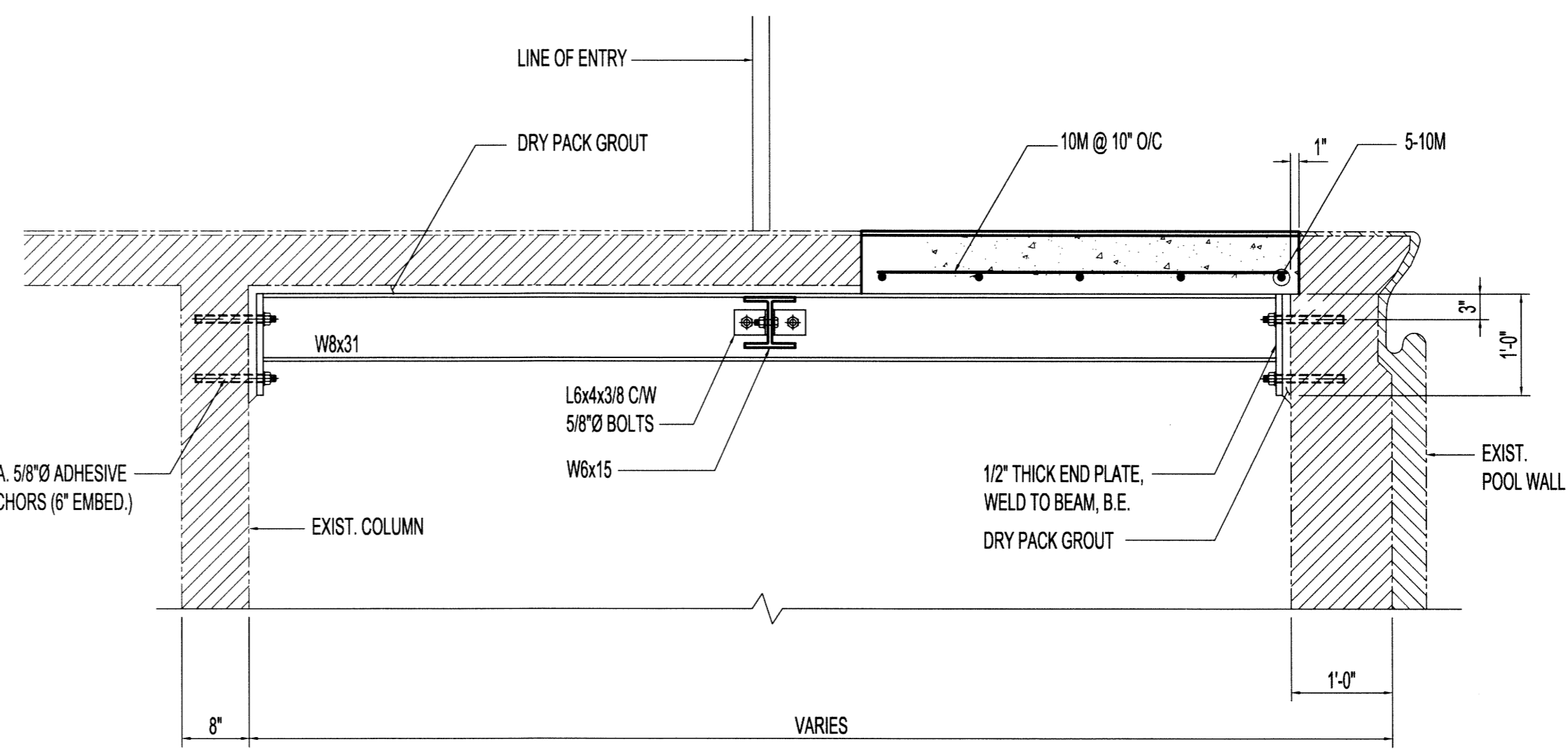
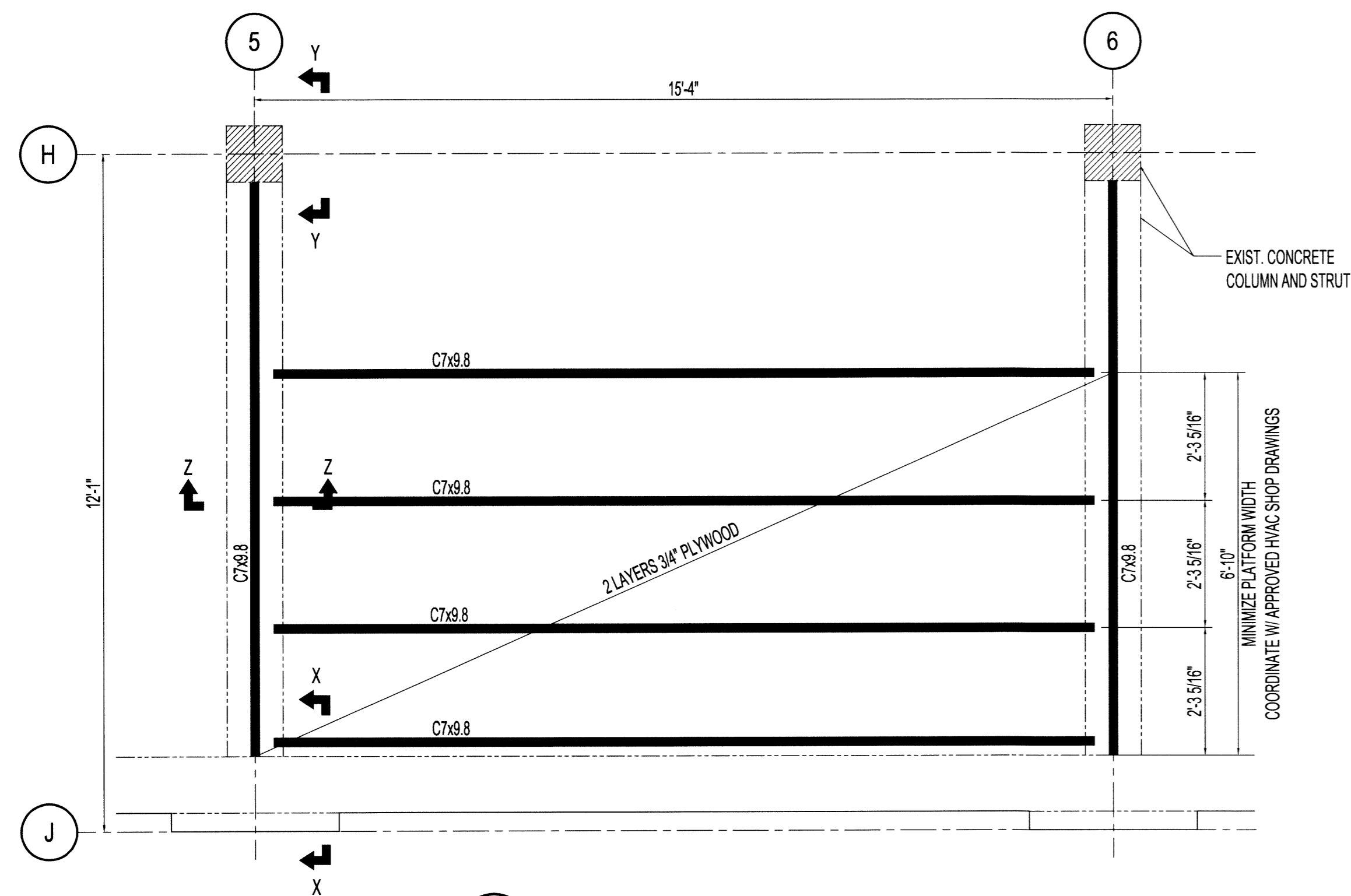


L SECTION - EXISTING
S01 SCALE: 3/4"=1'-0"

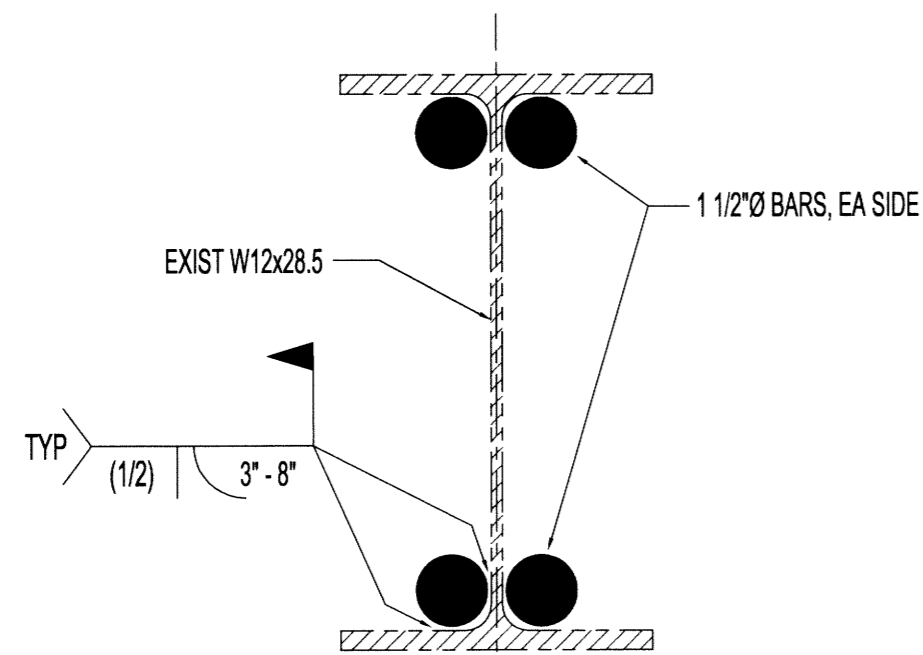
- CONSTRUCTION SEQUENCE:
1. INSTALL STEEL BEAMS
 2. PLACE DRY PACK GROUT
 3. REMOVE SECTION OF SLAB & CONCRETE BEAM
 4. POUR NEW SLAB



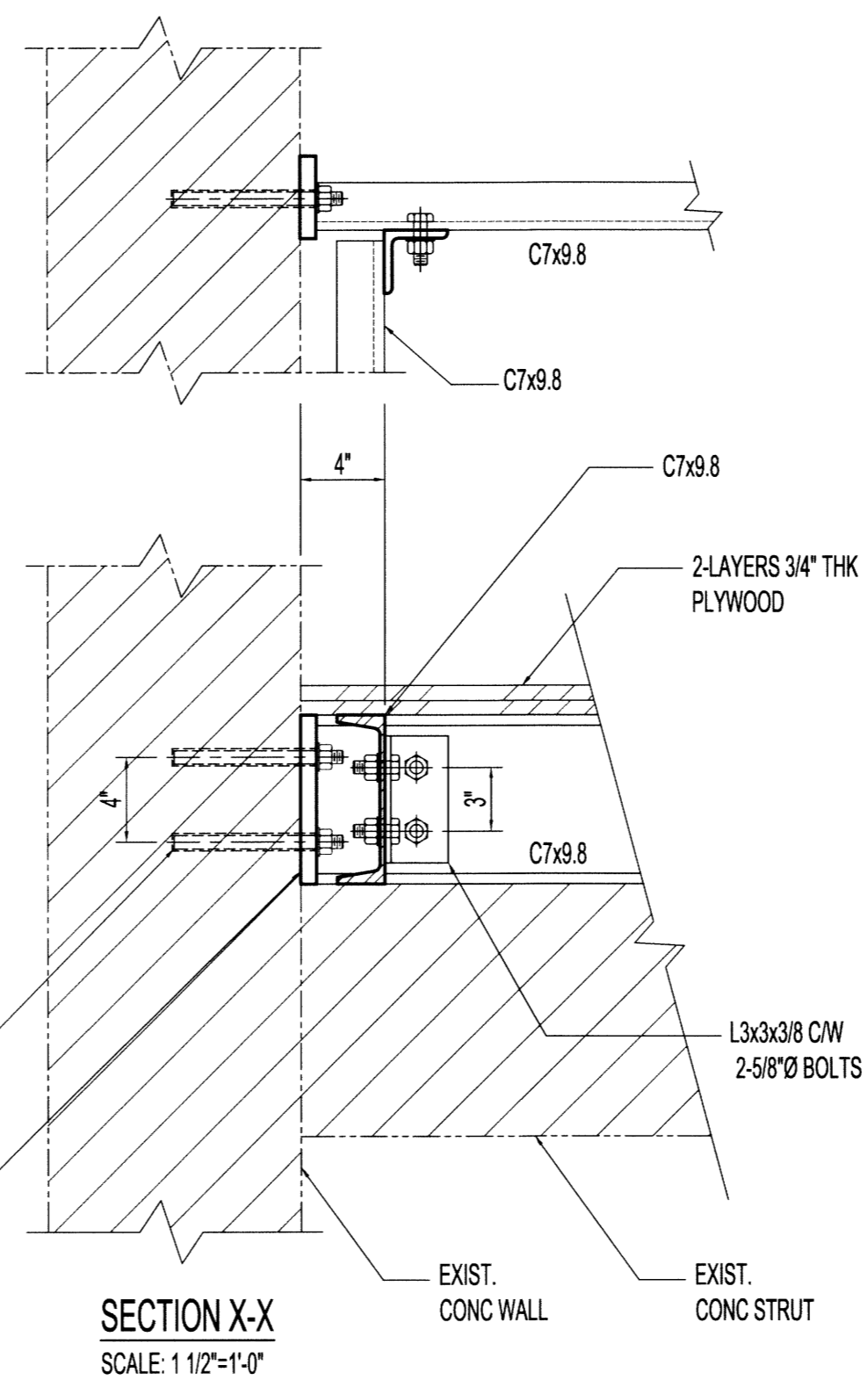
L SECTION - RENOVATED
S02 SCALE: 3/4"=1'-0"



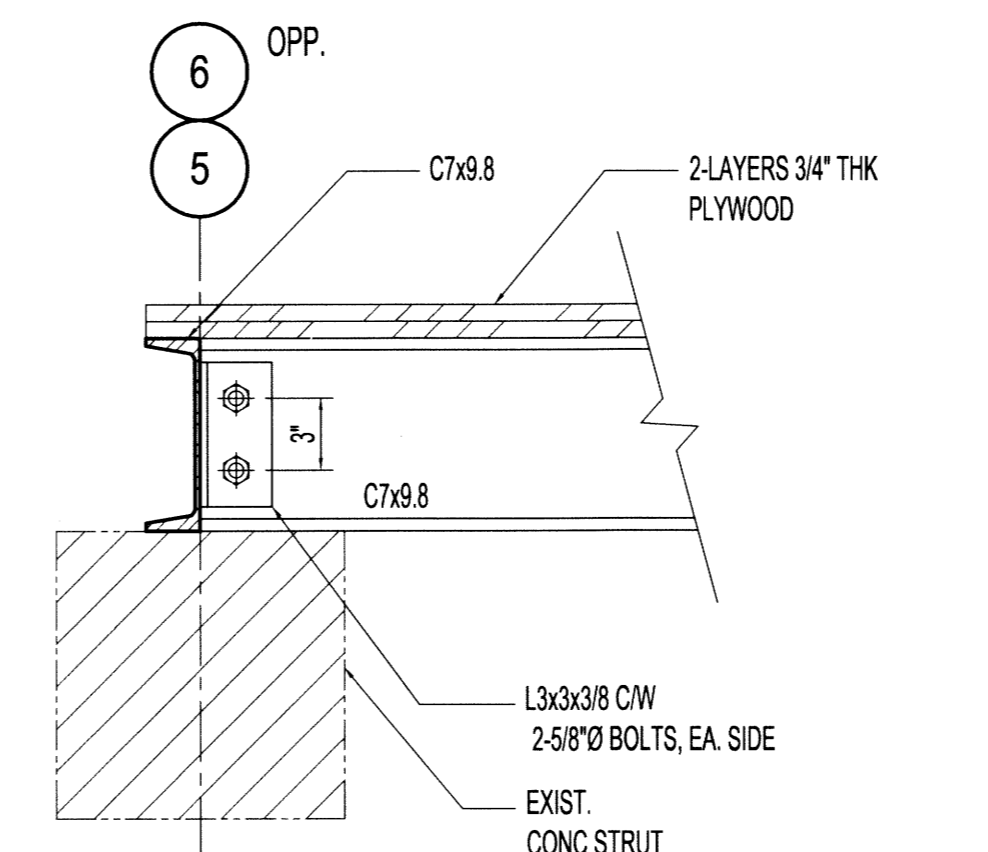
M DETAIL - NEW PLATFORM FOR MECH UNIT
S02 SCALE: 1/2"=1'-0"



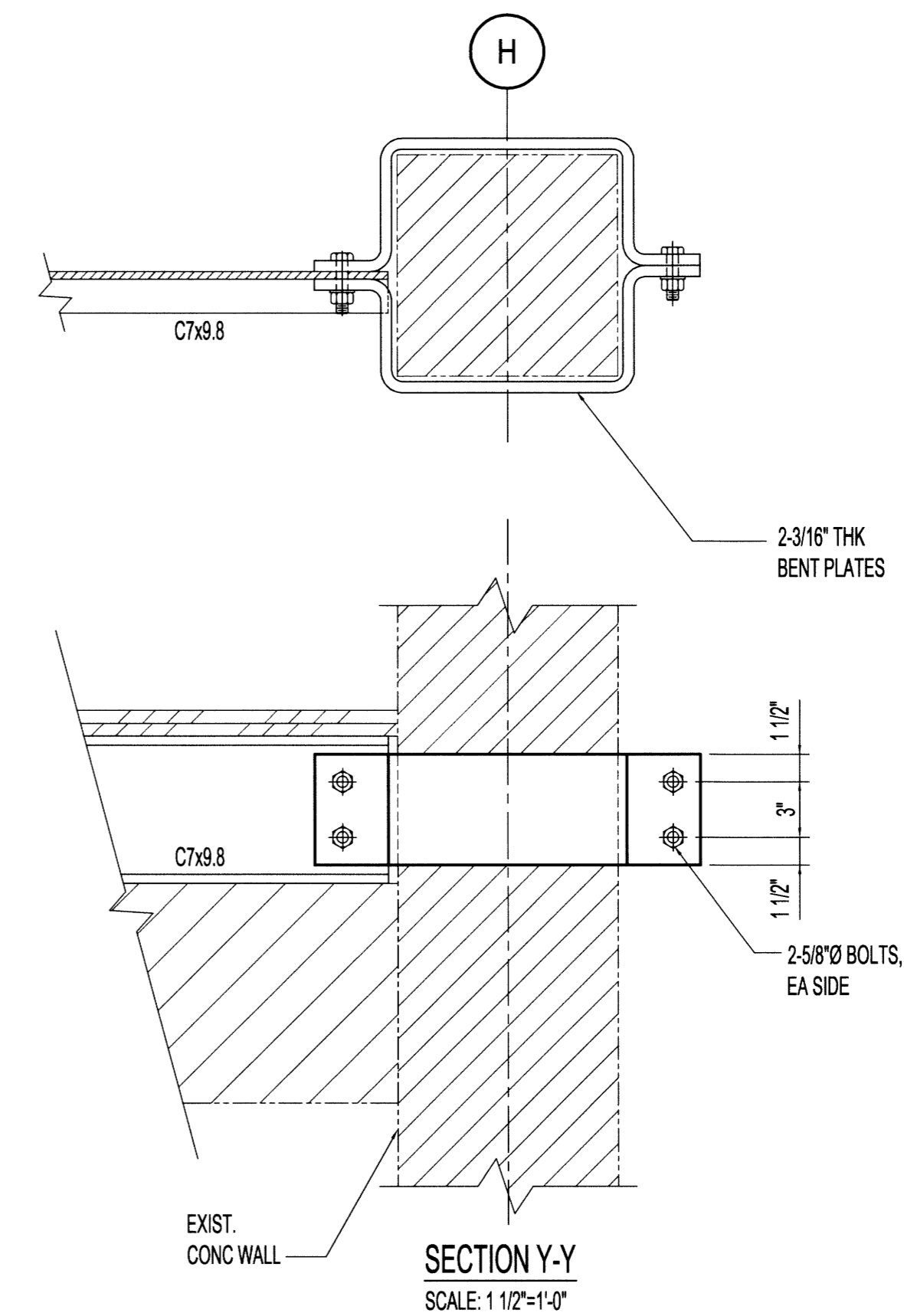
N SECTION
S03 SCALE: 3"=1'-0" (3 LOCATIONS)



SECTION X-X
SCALE: 1 1/2"=1'-0"



SECTION Z-Z
SCALE: 1 1/2"=1'-0"



SECTION Y-Y
SCALE: 1 1/2"=1'-0"

0	ISSUED FOR CONSTRUCTION	15.02.17
No.	REVISION/DESCRIPTION	BY DATE



EDC	CHECKED	DESIGNED	RUL	APPROVED
DATE: 2014.11.03	USER APPROVAL			

THE CITY OF WINNIPEG
PLANNING, PROPERTY AND
DEVELOPMENT DEPARTMENT
MUNICIPAL ACCOMMODATIONS DIVISION
3-65 GARRY STREET, R3C 4K4

PROJECT
**SHERBROOK POOL
REFURBISHMENT OF SHERBROOK POOL**

381 SHERBROOK STREET
SHEET TITLE

STRUCTURAL
SECTIONS & DETAILS

SCALE	PROJECT No:	SHEET No:
AS SHOWN	2013-173	S05

