

FORM A: BID
(See B8)

1. Contract Title SUPPLY & DELIVERY OF COMPACT REFUSE PACKERS

2. Bidder

Name of Bidder

Usual Business Name of Bidder as it appears on Invoice (if different from above)

Street

City

Province

Postal Code

Email Address of Bidder

Facsimile Number

(Mailing address if different)

Street or P.O. Box

City

Province

Postal Code

GST Registration Number (if applicable)

The Bidder is:

(Choose one)

a sole proprietor

a partnership

a corporation

carrying on business under the above name.

3. Contact Person

The Bidder hereby authorizes the following contact person to represent the Bidder for purposes of the Bid.

Contact Person

Title

Telephone Number

Facsimile Number

Email Address

4. Definitions

All capitalized terms used in the Contract shall have the meanings ascribed to them in the General Conditions and D3.

5. Offer The Bidder hereby offers to perform the Work in accordance with the Contract for the price(s), in Canadian funds, set out on Form B: Prices, appended hereto.

6. Commencement of the Work The Bidder agrees that no Work shall commence until he/she is in receipt of a notice of award from the Award Authority authorizing the commencement of the Work.

7. Contract The Bidder agrees that the Bid Opportunity in its entirety shall be deemed to be incorporated in and to form a part of this offer notwithstanding that not all parts thereof are necessarily attached to or accompany this Bid.

8. Addenda The Bidder certifies that the following addenda have been received and agrees that they shall be deemed to form a part of the Contract:

No.	Dated
_____	_____
_____	_____
_____	_____

9. Time This offer shall be open for acceptance, binding and irrevocable for a period of sixty (60) Calendar Days following the Submission Deadline.

10. Signatures The Bidder or the Bidder's authorized official or officials have signed this _____ day of _____, 20____.

Signature of Bidder or
Bidder's Authorized Official or Officials

(Print here name and official capacity of individual whose signature appears above)

(Print here name and official capacity of individual whose signature appears above)

FORM B: PRICES
(See B9)

SUPPLY & DELIVERY OF COMPACT REFUSE PACKERS

UNIT PRICES

ITEM NO.	DESCRIPTION	SPEC. REF.	UNIT	QUANTITY	UNIT PRICE
1.	Compact Refuse Packers	15057	Each	2	

Name of Bidder

FORM N: DETAILED SPECIFICATIONS 15057

Compact Refuse Packers

1.0 DESCRIPTION OF EQUIPMENT/APPLICATION

- 1.1 **Description-** These specifications describe **Compact Refuse Packers** and other equipment and features as specified herein. It is the responsibility of the bidder to ensure the complete chassis, cab to axle measurement, frame rail after-frame measurement length, cross-member spacing, existing frame clearance and available component space is adequate for an 18 cubic yard capacity compact refuse packer body.
- 1.2 **Application-** The intended application use is for one operator to load litter bins left and right side with a low loading height and a hopper with packing to minimize moving parts and maintenance costs. The compact refuse packer shall be a dual steering operation to allow collection within traffic flows. Should the bidder require the dimensions of the litter bins, they shall contact the Contract Administrator stated herein in D4.1
- 1.3 The **Compact Refuse Packers** shall be a new 2015 model year or newer.
- 1.4 The **Compact Refuse Packers** and all other items/components shall be the manufacturer's latest model. The vehicles shall be furnished complete and ready for operation. Any parts or accessories not specifically mentioned, but which are required to complete and place the vehicles and associated attachments in successful operation shall be furnished as though specifically mentioned in these specifications. The vehicles and associated attachments, and all parts thereof, shall conform in strength and quality of material and workmanship, to the best standards and engineering practice of the industry.
- 1.5 It will be the responsibility of the Bidder to inform the City of any errors or omissions in these specifications, for under this Contract the Contractor shall be held responsible for the satisfactory operational function of the equipment.

2.0 OTHER SPECIFICATIONS AND STANDARDS

- 2.1 All applicable SAE standards form an integral part of these specifications and shall have precedence in any conflict concerning minimum acceptable standards.
- 2.2 The **Compact Refuse Packers** shall comply with the applicable regulations:
- National Safety Mark, NSM
 - Manitoba Safety and Health Act, Parts 12, 22
 - Canadian Standards Association, CSA
 - Under Writers of Canada, U/L
 - Society of Automotive Engineers, SAE
 - City of Winnipeg Lighting Visibility
Standard=<http://winnipeg.ca/matmgt/pdfs/PublicWorksEquipLightingVisibility.pdf>.
- 2.3 It will be the responsibility of the Bidder to inform the City of any deficiencies in these specifications, for under this Contract the Contractor shall be held responsible for the design, performance, reliability and satisfactory operational function of the units.

3.0 SERVICE FACILITY-

- 3.1 For the purpose of warranty repairs, the supplier shall have an authorized service facility located within 10 kilometres of the boundaries of the City of Winnipeg. The facility, or a portion thereof, shall be dedicated to the service and maintenance of the type equipment being offered. Further to B9.1, Bidders shall provide a description of the service facility including, but not limited to,

number of qualified service staff, years of service experience, and general service capabilities within three (3) Business Days upon request of the Contract Administrator.

3.2 If a suitable warranty facility is not available within 10 km of the boundaries of the City of Winnipeg, the Bidder may propose that the City of Winnipeg Repair Facility perform warranty work. Any Work performed by the City of Winnipeg Repair Facility shall be charged to the Contractor at the Facility's shop rate in effect at the time the work is performed (for example, shop rate for 2015: \$88.00/hour and \$ 112.00/hour for overtime and callout).

3.3 **Location of the service facility located within 10 km of the boundaries of the City of Winnipeg.**

The Bidder shall choose and fill in **one (1)** of the Clauses listed below. --- **3.4) or 3.5)**

3.4 Bidder's own facility location. State the location of the service facility below.

3.5 Bidder elects to have warranty work be performed by the City of Winnipeg Repair Facility.

4.0 REFERENCES

4.1 If available, please provide five (5) Canadian references where this equipment is used in a working environment where climatic conditions are similar to the City of Winnipeg.

5.0 MAKE & MODEL

5.1 **State** make and model of the chassis and compact refuse body being bid- _____

6.0 INSTRUCTIONS FOR COMPLETION OF SPECIFICATIONS

6.1 Each bid will be evaluated based on adherence to all terms, conditions and requirements outlined in the Bid Opportunity package.

6.2 All items in these specifications must be answered indicating compliance or non-compliance. **BIDDERS SHALL STATE "YES" FOR COMPLIANCE OR STATE DEVIATION**, or give reply where requested to do so. Deviations shall be clearly stated and fully detailed. Alternatives will be considered subject to evaluation.

6.3 **EACH BIDDER IS REQUIRED TO FILL IN EVERY BLANK. FAILURE TO DO SO MAY BE USED AS A BASIS FOR REJECTION OF BID**

7.0 PERFORMANCE RELIABILITY

7.1 The responsibility for the design of the **Compact Refuse Packers**, its performance and reliability shall rest upon the Contractor.

7.2 The term "repeated failures" as used herein is defined to mean that the same component, subassembly, or assembly develops repeated defects, breakdowns and/or malfunctions rendering the vehicle inoperative, or requiring repeated shop correction, service and/or replacement during the warranty period applicable for said component, subassembly, of assembly. Minor items or ordinary service adjustments are not included, or considered under the scope of "repeated failures", as well as other factors, such as operational damage due

to accidents, misuse or lack of proper maintenance, service and lubrication attention by not following the manufacturer's preventative maintenance schedule.

7.3 Where the **Compact Refuse Packers** develops "repeated failures" in service, the Contractor shall make any necessary engineering changes, repairs, alterations or modifications in order to guarantee reliability of performance.

7.4 The equipment shall be capable of consistent top performance in City of Winnipeg Environment. **Note: The City of Winnipeg has four seasons with ambient temperatures ranging from approximately 90°F (32°C) to -40°F (-40°C)**

8.0 FUEL

8.1 All vehicles must be fully fuelled upon delivery (no exceptions).

9.0 QUALIFICATIONS OF MANUFACTURER & CONTRACTOR

9.1 The manufacturer of the **Compact Refuse Packers** shall have five (5) years continuous experience manufacturing **Compact Refuse Packers**.

9.2 The manufacturer shall have in effect a documented quality control program ensuring that the quality of materials and workmanship, including welding, conforms to the best standards and engineering practice of the industry.

9.3 The Contractor shall have five (5) years continuous experience servicing, repairing and maintaining **Compact Refuse Packers** of the type being offered.

10.0 SPECIFICATIONS-

GVWR-

10.1	Total	Approximately 26,500 lbs.	_____
10.2	Front	9,000	_____
10.3	Rear	17,500 lbs.	_____

DIMENSIONS-

10.4	Wheelbase	As required for an 18 cubic yard capacity compact refuse Packer	_____
10.5	Cab to Axle	As required for an 18 cubic yard capacity compact refuse Packer	_____
10.6	Turning radius	State-	_____

ENGINE-

10.7	Type	Tier IV Final Diesel, inline 6-cylinder. Engine must meet the most current EPA standards.	_____
10.8	Horsepower	275-300 HP gross or greater	_____
10.9	Torque	660 lb-ft or greater	_____
10.10	Engine shut down	Low oil pressure / high water temperature	_____

10.11	Programming	Anti-idling programming to be determined upon pre-production meeting.	_____
10.12	Starting Aid	Cold weather starting aid required	_____
10.13	Fuel Shut-off	Electric solenoid type	_____
10.14	Air intake	Under hood air intake	_____
10.15	Air cleaner	Dry type, suitable for refuse truck application	_____
10.16	Air Indicator	Air Restriction indicator dash mounted	_____
10.17	Oil drain plug	Magnetic type	_____
10.18	Oil filter	Full flow spin-on type	_____
10.19	Fuel filter	Spin-on type	_____
10.20	Fuel line primer pump	Required	_____
10.21	Block heater	Immersion type, 1000 Watt with covered recessed male plug, located under driver's side door	_____
10.22	Coolant	Extended Life coolant, antifreeze to -40°F (-40°C)	_____
10.23	Coolant filter	Required	_____
10.24	Coolant hoses	Premium hoses	_____
10.25	Fan Drive	Thermostatically controlled, automatic type	_____
10.26	Air compressor	Water cooled, pressure lubricated, 18.7 cfm	_____
<u>ELECTRICAL SYSTEM-</u>			
10.27	Electrical System	Point to point or multiplex, state-	_____
10.28	Starter/Alternator	Delco Remy with 36-SI thermal over crank protection Brushless 165 amp or equivalent	_____
10.29	Circuit breakers	Auto-reset, readily accessible	_____
10.30	Batteries	Three (3) maintenance free (12)-volt, group 31, 1950 CCA combined capacity. Batteries shall be accessible, state location-	_____
10.31	Battery Box	Enclosure required and not to impede with body installation.	_____
10.32	Battery disconnect	In-cab mounted	_____
10.33	Remote boost terminal	Remote battery boost terminal(s) with cover(s), state location-	_____
10.34	Cab marker lights	LED located in exterior sun shade visor or cab roof mounted, state location-	_____

10.35 2-way radio circuit Independent 20 Amp circuit, ignition powered, wired under dash loose, labelled _____

10.36 Accessory switches Six (6) required. All switches complete and wired for body Installation provisions, labeled and backlit _____

EXHAUST SYSTEM-

10.37 Configuration Vertical exhaust with heat shield. Exhaust location shall not impede with body installation. _____

10.38 Heat shield Required over exhaust next to cab door _____

TRANSMISSION-

10.39 Model Allison 3000 RDS with 6-speed programming and load Base Management System. Transmission shall be suitable and programmed for the Refuse packer application. PTO/Pump for Automatic Transmission to operator refuse Packer functions. _____

10.40 Shift selector Digital push-button type, dash mounted _____

10.41 Fluid Synthetic transmission fluid _____

10.42 Cooling capacity As per manufacturer's recommendation for severe duty cycle _____

10.43 Oil level dipstick Bayonet type with high and low level markings _____

10.44 Trans. drain plug Magnetic type _____

FRONT AXLE-

10.45 Type Must be Meritor 9,000 lbs. capacity _____

10.46 Fluid Synthetic _____

REAR AXLE-

10.47 Type Must be Meritor 17,500 lbs. capacity _____

10.48 Ratio As per in city usage refuse packer application. Ratio Shall be for a 110 km/hr top speed, **state** ratio- _____

10.49 Differential lock(s) Required for drive axle w/dash mtd. Switch _____

10.50 Fluid Synthetic _____

HUBS/ HUB SEALS-

10.51 Hub seals Oil lubricated front and rear _____

10.52 Hubs Aluminum or light weight steel front & rear hubs, **state-** _____

FRONT SUSPENSION-

10.53 Type Taper leaf spring suspension 9,000 lbs. capacity _____

REAR SUSPENSION-

10.54 Type Air ride suspension, 17,500 lbs. capacity. Suspension must be suited for refuse packer application and dumping at the City of Winnipeg Brady Landfill site. _____

10.55 Susp. control valve Manual dump valve for air suspension c/w dash mounted switch, indicator light, gauge and buzzer _____

RIMS, WHEELS-

10.56 Front 22.5 x 7.5 aluminum wheels, hub piloted _____

10.57 Rear 22.5 x 7.5 aluminum wheels, hub piloted _____

TIRES, FRONT-

10.58 Front Tires- (Mud & Snow) Front steer tires must be suitable for application and Province of Manitoba weather conditions, **state make & model of tires-** _____

10.59 Size 295/75R 22.5, 14-ply rated for request front GVWR _____

TIRES, REAR-

10.60 Rear Tires- (Mud & Snow). Rear Drive tires must be suitable for application and Province of Manitoba weather conditions, **state make & model of tires-** _____

10.61 Size 295/75R 22.5, 14-ply rated for request rear GVWR _____

FRAME-

10.62 Type Single rail only, suitable for requested GVWR and application. Frame rail must meet the RBM strength required for the request Gross Vehicle Weight Rating _____

10.63 Back up Alarm- Back up alarm located at rear of frame _____

10.64 Chassis fasteners Grade-8 threaded hex headed frame fasteners _____

10.65 After-frame As required for an 18 cubic yard compact refuse packer _____

STEERING-

10.66 Type **Dual Steering** Heavy-duty power, synthetic oil preferred, rated for GVWR _____

BRAKES-

10.67 Type Air, ABS, S-cam drum brakes, front & rear _____

10.68 Slack adjusters Meritor (clearance sensing), automatic type _____

12.69 Parking brake Spring set, four (4) chamber system _____

10.70 Brake pots Vented type _____

10.71	Dust shields	Required, front and rear	_____
10.72	Moisture ejector	Bendix DV-2, heated to wet tank	_____
10.73	Drain valves	Manual chain or cable operated, required on each air tank	_____
10.74	Air dryer	Wabco System Saver 1200	_____
10.75	Air Tanks	Must be aluminum or Stainless steel with aluminum straps with minimum 1/16 in. rubber or neoprene isolators to prevent galvanic corrosion	_____

FUEL TANK-

10.76	Type	Aluminum, 189 L capacity, fully fuelled upon delivery, state location-	_____
10.77	Option	Bidder shall state optional price for the largest fuel tank(s) combination, but not to exceed the back of cab and not impede in body installation.	_____
10.78	Tank straps	Stainless steel or aluminum straps with minimum 1/16 in. rubber or neoprene isolators to prevent galvanic corrosion	_____
10.79	Fuel separator	Heated, drainable, mounted under hood, located to be protected from road spray	_____

CAB-

10.80	Type	<u>Extended Cab preferred (Right Hand Stand)</u> Conventional w/corrosion inhibitor	_____
10.81	Construction	Aluminum or galvanized steel	_____
10.82	BBC	Front bumper to back of cab 106" - 108"	_____
10.83	Cab mounts	Air suspension	_____
10.84	Front grille	Stationary type	_____
10.85	Cab interior / trim	Extreme climate insulation including cloth or vinyl headliner on roof, door panels and rear interior of cab	_____
10.86	Cab silencer package	Required for minimal decibel level, state (dba)-	_____
10.87	Hood/Firewall/Engine	Insulated hood liner, engine cover and firewall	_____
10.88	Floor covering	Rubber mat with under-padding	_____
10.89	Floor mats	Two (2) heavy-duty rubber removable floor mats	_____
10.90	Driver's seat	High back, air suspension w/foldable armrests, lumbar support, heavy-duty "Cordura" or equal cloth upholstery, complete with seat covers.	_____
10.91	Passenger seat	Fold up Jump seat for right hand stand	_____

10.92	Sun visors	Dual flip-up type	_____
10.93	Steering wheels	Dual Steering, Tilt and telescopic type (driver side), Passenger fixed.	_____
10.94	12-Volt power outlet	(2) Required	_____
10.95	Radio	Factory installed AM/FM/CD with blue tooth hands free capability	_____
10.96	Starter switch	Key operated c/w three (3) sets of keys	_____
10.97	Interior light	Dome light with driver and passenger door switches	_____
10.98	Heater / Defroster	High output, capable of keeping all windows clear at an outside temperature of -35°F (-37°C)	_____
10.99	Air conditioning	Required	_____
10.100	Brake & accel. pedals	Floor or hanging type brake and accelerator pedal, State-	_____
10.101	Horn	Dual electric	_____
10.102	Exterior mirrors	Dual heated, lighted exterior mirrors. Shall come with convex mirrors. Suitable for 102 in. equipment width	_____
10.103	Down view mirror	Required over passenger door, state size-	_____
10.104	Windows & windshield	Factory Tint	_____
10.105	Power windows	Required on driver and passenger side. Controls for both windows required on driver side	_____
10.106	Windshield wipers	Electric, intermittent	_____
10.107	Wiper blades	Snow type with <u>sealed boot</u> .	_____
10.108	Windshield washers	Electric, required with spray nozzles on wiper Blades preferred.	_____
10.109	Grab handles	Dual exterior	_____
10.110	Entrance steps	Dual each side, open grate / grip type	_____
10.111	Winter front	Heavy-duty vinyl w/twist lock or snap type fasteners	_____
10.112	Exterior Visor	Exterior sun visor required	_____
10.113	Fender Mtd. Mirrors	Fender mounted adjustable convex mirror.	_____
10.114	Flare kit	Required, state location-	_____
10.115	Fire Extinguisher	(2.5) lbs. required, state location-	_____
10.116	First aid kit	Required, state location-	_____

INSTRUMENTATION-

10.117	Oil pressure	Gauge	_____
10.118	Coolant temperature	Gauge	_____
10.119	Transmission oil temp.	Gauge	_____
10.120	LOP/HWT	Warning light and buzzer	_____
10.121	Voltmeter	Gauge	_____
10.122	Air reservoir pressure	Gauge with LAP warning light and buzzer	_____
10.123	Engine hour-meter	Required, non-resettable type	_____
10.124	Weight Scale-	OEM installed Model "Air-Weigh Truck Scales" dash mounted. Shall be able to provide steer and drive axles weights.	_____

TOW HOOKS-

10.125	Location	(2) front inside frame rail, (2) rear mounted	_____
--------	----------	---	-------

FRONT BUMPER-

10.126	Type	Front bumper painted grey with driver and passenger Bumper markers	_____
--------	------	--	-------

COLOUR-

10.127	Exterior	White	_____
10.128	Interior	Blue or grey	_____
10.129	Frame & suspension	Primed and finished with black Imron 5000 paint	_____

ACCESSORIES-

10.130	Accessories	Wheel nut indicators on all wheel lug nuts required and Tool box frame mounted. State dimensions of tool box-	_____
--------	-------------	--	-------

BODY SPECS-

10.131	Loading Type	Single Stream, Dual side loading (both sides)	_____
10.132	Capacity	18 cubic yard	_____
10.133	Volume	State hopper volume-	_____
10.134	Tailgate	Hydraulic Tailgate Liquid tight, self-locking, quick tipping, with an open tail gate alarm for the operator. Tailgate locks shall be dash lit to verify the tail gate is locked	_____
10.135	Load & Pack Cycle	Approx. 18 sec – 20 sec @ 1200 RPM Load, state compaction rate-	_____

10.136	Dimensions	State- Height	_____
		State- Height Body Height	_____
		State- Height Body Length	_____
		State- Height Body Width	_____
		State- Height Net Body Weight	_____
10.137	Hoist Capacity	5 tons capacity	_____
10.138	Camera	Rear View Camera w/ 5 inch LCD Dual	_____
10.139	Wheel Fenders	Rear poly half-moon fenders, with mud flaps front and rear.	_____
10.140	Greasing system	Model EP0 Groeneveld/CPL Systems Inc., automatic greasing system including all required grease points on the chassis and refuse body. Shall come with automatic low level shut-off with in-cab red light indicator.	_____
10.141	Safety Tape	DOT tape/stripping required	_____
10.142	Hydraulics	Hydraulic tank shall come with filtration system, easy Accessible for adding and removing hydraulic oil for maintenance.	_____
10.143	Packer Safety	Bidder shall state packer safety features for packing Cycle-	_____

ELECTRICAL & LIGHTING-

10.144	Lighting	All vehicle lighting shall conform to C.M.V.S.S. and Manitoba Highway Traffic Act requirements.	_____
10.145	Wiring	All body supplier installed wiring shall be numbered, colour coded, loomed, properly secured and protected from damage.	_____
10.146	Connectors	All electrical connectors shall be <u>crimped and soldered</u> , Then sealed using heat-shrink tubing.	_____
10.147	Soldering	All joining of wires shall be <u>soldered</u> and sealed using heat shrink tubing (crimp on electrical connectors for joining wires are not acceptable).	_____
10.148	Holes	<u>All holes</u> required for routing wiring shall be drilled (not punched), grommetted and sealed as required.	_____
10.149	Work Lights	High Intensity scene work lights – Two mounted above driver and passenger door. – Two mounted on body	_____

mid ship. Two mounted rear of body. Exact location to be determined upon pre-production meeting.

11.0 FINISH-

11.1 Preparation All refuse body and steel components that require painting shall be sand blasted, properly cleaned, primed and finished as follows: (Note: stainless steel and aluminum components shall remain unfinished).

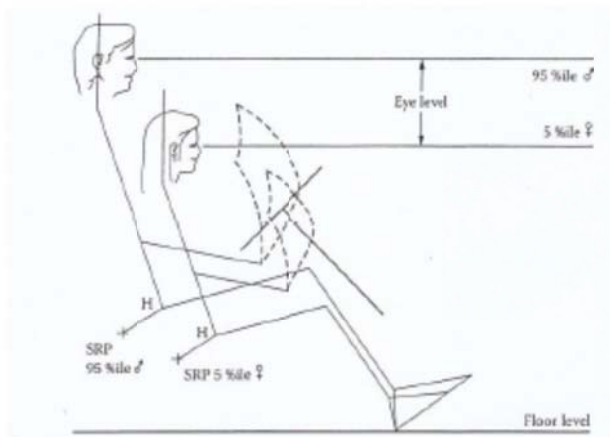
11.2 Paint/Primer Refuse Packer body shall be primed with Endura EP32 Intermix Epoxy Primer then finished with 3-5 mils black Endura EX-2C Topcoat.

12.0 WEIGHT DISTRIBUTION-

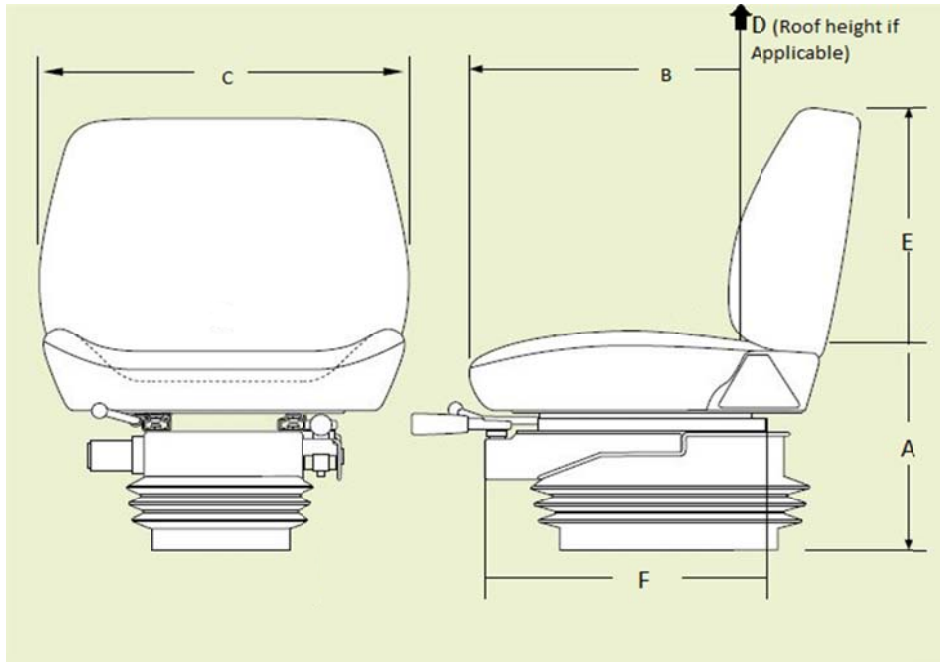
12.1 Weight Distribution- The completed units and all associated components shall not exceed the City of Winnipeg's limit for gross vehicle weight, axle and tire loads with the unit (including the chassis) fully fuelled and operational, one (1) operator, and including a full payload.

**13.0 OPERATOR STATION
ERGONOMICS**

Cab or station layout should provide a comfortable seating position for the 5th to the 95th percentile of personnel. Figure 1 below illustrates the variance between a 5th to a 95th percentile of North American males and females when seated.



13.1 Figure 2: Use the below diagram to answer the specifications for Operator Station Ergonomics.



- | | | | |
|------|--|---|-------|
| 13.2 | Sitting height range from floor (where feet rest) (A) | State, seat height range in inches | _____ |
| 13.3 | Seat length/depth (B) | State, seat length/depth in inches | _____ |
| 13.4 | Seat width (C) | State, seat width in inches | _____ |
| 13.5 | Cab height from seat to roof (if applicable) (D) | State, cab height range in inches | _____ |
| 13.6 | Back rest height (E) | State, back rest height in inches | _____ |
| 13.7 | Seat travel range (F) | State, seat travel in inches | _____ |
| 13.8 | Include any other relevant ergonomic specifications and applicable range of adjustment | | _____ |

14.0 WARRANTY-

- | | | | |
|------|--|--|-------|
| 14.1 | All warranty information shall be detailed and include all exclusions. The successful bidder shall provide all published warranty information upon delivery of the equipment. Bidder shall state all warranty information. | | _____ |
| 14.2 | Basic Vehicle One (1) year, unlimited km, state- | | _____ |
| 14.3 | Batteries One (1) year, unlimited km state- | | _____ |
| 14.4 | Drivetrain Two (2) years, unlimited km state- | | _____ |
| 14.6 | Cab structure/ corrosion Five (5) years, unlimited km state- | | _____ |
| 14.7 | Frame & Cross-members Five (5) years, unlimited km state- | | _____ |

- 14.8 Cab paint One (1) year or 100 000 km **state-** _____
- 14.9 Engine Three (3) years or 240 000 km **state-** _____
- 14.10 Transmission Two (2) years, unlimited km **state-** _____
- 14.11 Axles, front & rear- Two (2) years or 161 000 km **state-** _____
- 14.12 Refuse Body Warranty- **State warranty-** _____
-

15.0 DELIVERY-

- 15.1 **Delivery Point:** The complete unit shall be serviced, ready for operation and delivered F.O.B. with the freight prepaid, including invoice and N.I.V.S. (if applicable) to the WFMA 185 Tecumseh Street, Winnipeg MB. _____
- 15.2 **Delivery Time:** Within **(26) twenty- six calendar weeks** from the date of award. Equipment shall be delivered between 8:00 am and 2:00 pm on Business Days. _____
- 15.3 **Delivery Contact:** The Contractor shall contact the Contract Administrator prior to delivery of the equipment. _____
- 15.4 **P.D.I:** A pre-delivery inspection shall be performed by the Contractor on the equipment. Proof upon inspection including completed check list _____

16.0 MANUALS-

- 16.1 **Manuals supplied under this Contract.** The manuals shall cover the complete equipment including all components thereof, CD is preferred where available. _____
- 16.2 The following manuals shall be supplied with the units when delivered: _____
- a) Operator's manual – Two (2) per unit (one operator manual shall be sent to the Equipment Operator Training Branch _____
- b) Parts and service manuals – one (1) complete set including preventative maintenance schedules. CDs are preferred. _____

17.0 PARTS/LABOUR PRICING

- 17.1 Bidder to provide City of Winnipeg Parts Discount % Pricing from retail parts pricing. **State percentage discount-** _____
- 17.2 Bidder to provide City of Winnipeg Labor Discount % Pricing from Retail shop labor rate. **State percentage discount-** _____

18.0 **MAINTENANCE PACKAGE-**

18.1 Bidder to provide if available a full maintenance package for all scheduled maintenance for the chassis and refuse body. The bidder shall provide all details, terms and conditions and costs-
