

**FORM A: BID**  
(See B8)

1. Contract Title SUPPLY AND DELIVERY OF OUT-FRONT MOWERS

2. Bidder

\_\_\_\_\_  
Name of Bidder

\_\_\_\_\_  
Usual Business Name of Bidder as it appears on Invoice (if different from above)

\_\_\_\_\_  
Street

\_\_\_\_\_  
City

\_\_\_\_\_  
Province

\_\_\_\_\_  
Postal Code

\_\_\_\_\_  
Email Address of Bidder

\_\_\_\_\_  
Facsimile Number

(Mailing address if different)

\_\_\_\_\_  
Street or P.O. Box

\_\_\_\_\_  
City

\_\_\_\_\_  
Province

\_\_\_\_\_  
Postal Code

\_\_\_\_\_  
GST Registration Number (if applicable)

The Bidder is:

(Choose one)

a sole proprietor

a partnership

a corporation

carrying on business under the above name.

3. Contact Person

The Bidder hereby authorizes the following contact person to represent the Bidder for purposes of the Bid.

\_\_\_\_\_  
Contact Person

\_\_\_\_\_  
Title

\_\_\_\_\_  
Telephone Number

\_\_\_\_\_  
Facsimile Number

\_\_\_\_\_  
Email Address

4. Definitions

All capitalized terms used in the Contract shall have the meanings ascribed to them in the General Conditions and D3.

5. Offer The Bidder hereby offers to perform the Work in accordance with the Contract for the price(s), in Canadian funds, set out on Form B: Prices, appended hereto.

6. Commencement of the Work The Bidder agrees that no Work shall commence until he/she is in receipt of a notice of award from the Award Authority authorizing the commencement of the Work.

7. Contract The Bidder agrees that the Bid Opportunity in its entirety shall be deemed to be incorporated in and to form a part of this offer notwithstanding that not all parts thereof are necessarily attached to or accompany this Bid.

8. Addenda The Bidder certifies that the following addenda have been received and agrees that they shall be deemed to form a part of the Contract:

No.	Dated
_____	_____
_____	_____
_____	_____

9. Time This offer shall be open for acceptance, binding and irrevocable for a period of sixty (60) Calendar Days following the Submission Deadline.

10. Signatures The Bidder or the Bidder's authorized official or officials have signed this \_\_\_\_\_ day of \_\_\_\_\_, 20\_\_\_\_.

Signature of Bidder or  
Bidder's Authorized Official or Officials

\_\_\_\_\_

(Print here name and official capacity of individual whose signature appears above)

\_\_\_\_\_

(Print here name and official capacity of individual whose signature appears above)

**FORM B: PRICES**  
(See B9)

SUPPLY AND DELIVERY OF OUT-FRONT MOWERS

UNIT PRICES

ITEM NO.	DESCRIPTION	SPEC. REF.	UNIT	QUANTITY	UNIT PRICE
1.	37-39 HP open station out front mower with 72" mower (cutting blades) mulching deck rear discharge	15060	Each	31	
1a.	37-39 HP open station out front mower with 60" mower (cutting blades) mulching deck rear discharge	15060	Each	1	

\_\_\_\_\_  
Name of Bidder

**FORM N: DETAILED SPECIFICATIONS 15060**  
**37-39 HP OPEN STATION OUT-FRONT MOWER WITH 72" MOWER DECK**

**1.0 DESCRIPTION OF EQUIPMENT**

- 1.1 These specifications describe an **Out-Front Mower** and other equipment and features as specified herein.
- 1.2 The **Out-Front Mower** shall be a new 2016 model year or newer.
- 1.3 The **Out-Front Mower** and all other items/components shall be the manufacturer's latest model. The equipment shall be furnished complete and ready for operation. Any parts or accessories not specifically mentioned, but which are required to complete and place the equipment and associated attachments in successful operation shall be furnished as though specifically mentioned in these specifications. The equipment and associated attachments, and all parts thereof, shall conform in strength and quality of material and workmanship, to the best standards and engineering practice of the industry.
- 1.4 It will be the responsibility of the Bidder to inform the City of any errors or omissions in these specifications, for under this Contract the Contractor shall be held responsible for the satisfactory operational function of the equipment.

**2.0 OTHER SPECIFICATIONS AND STANDARDS**

- 2.1 All applicable SAE standards form an integral part of these specifications and shall have precedence in any conflict concerning minimum acceptable standards.

- 2.2 The **Out-Front Mower** shall comply with the applicable regulations:

National Safety Mark, NSM = <http://www.tc.gc.ca/eng/acts-regulations/acts-road.htm>

Manitoba Safety and Health Act, Parts 12, 22 =  
<http://web2.gov.mb.ca/laws/statutes/ccsm/w210e.php> and <http://www.gov.mb.ca/labour/safety/>

Canadian Standards Association, CSA = <http://www.csa.ca/about/Default.asp?language=english>

Under Writers of Canada, U/L = <http://www.ulc.ca/>

Society of Automotive Engineers, SAE = <http://www.sae.org/>

City of Winnipeg Lighting Visibility  
Standard = <http://winnipeg.ca/matmgt/pdfs/PublicWorksEquipLightingVisibility.pdf>.

- 2.3 It will be the responsibility of the Bidder to inform the City of any deficiencies in these specifications, for under this Contract the Contractor shall be held responsible for the design, performance, reliability and satisfactory operational function of the units.

**3.0 SERVICE FACILITY**

- 3.1 For the purpose of warranty repairs, the Bidder shall have an authorized service facility located within 10 km of the boundaries of the City of Winnipeg. The facility, or a portion thereof, shall be dedicated to the service and maintenance of the type equipment being offered. Further to B9.1, Bidders shall provide a description of the service facility including, but not limited to, number of qualified service staff, years of service experience, and general service capabilities within three (3) Business Days upon request of the Contract Administrator.

**4.0 REFERENCES**

- 4.1 Provide five (5) Canadian references where this equipment is used in a working environment where climatic conditions are similar to the City of Winnipeg.

---

---

---

---

---

**5.0 MAKE & MODEL**

- 5.1 **State** make, model and year of the equipment bid- \_\_\_\_\_

---

**6.0 INSTRUCTIONS FOR COMPLETION OF SPECIFICATIONS**

- 6.1 Each bid will be evaluated based on adherence to all terms, conditions and requirements outlined in the Bid Opportunity package.

- 6.2 All items in these specifications must be answered indicating compliance or non-compliance. **BIDDERS SHALL STATE "YES" FOR COMPLIANCE OR STATE DEVIATION**, or give reply where requested to do so. Deviations shall be clearly stated and fully detailed. Alternatives will be considered subject to evaluation.

- 6.3 **EACH BIDDER IS REQUIRED TO FILL IN EVERY BLANK. FAILURE TO DO SO MAY BE USED AS A BASIS FOR REJECTION OF BID**

**7.0 PERFORMANCE RELIABILITY**

- 7.1 The responsibility for the design of the **Out-Front Mower**, its performance and reliability shall rest upon the Contractor.

- 7.2 The term "repeated failures" as used herein is defined to mean that the same component, subassembly, or assembly develops repeated defects, breakdowns and/or malfunctions rendering the vehicle inoperative, or requiring repeated shop correction, service and/or replacement during the warranty period applicable for said component, subassembly, of assembly. Minor items or ordinary service adjustments are not included, or considered under the scope of "repeated failures", as well as other factors, such as operational damage due to accidents, misuse or lack of proper maintenance, service and lubrication attention by not following the manufacturer's preventative maintenance schedule.

- 7.3 Where the **Out-Front Mower** develops "repeated failures" in service, the Contractor shall make any necessary engineering changes, repairs, alterations or modifications in order to guarantee reliability of performance.

- 7.4 The equipment shall be capable of consistent top performance in City of Winnipeg Environment. Note: The City of Winnipeg has four seasons with ambient temperatures ranging from approximately 90°F (32°C) to -40°F (-40°C)

**8.0 FUEL**

- 8.1 Where applicable, all equipment must be fully fuelled upon delivery (no exceptions).

**9.0 QUALIFICATIONS OF MANUFACTURER & CONTRACTOR**

- 9.1 The manufacturer of the **Out-Front Mower** shall have five (5) years continuous experience manufacturing the equipment.

- 9.2 The manufacturer shall have in effect a documented quality control program ensuring that the quality of materials and workmanship, including welding, conforms to the best standards and engineering practice of the industry.
- 9.3 The Contractor shall have five (5) years continuous experience servicing, repairing and maintaining **Out-Front Mower and associated attachments** of the type being offered.

**10.0 SPECIFICATIONS:**

**DIMENSIONS**

10.1	Overall height	Approx. 78 inches	_____
10.2	Overall length	Approx. 96 inches	_____
10.3	Overall width	Approx. 53 inches	_____
10.4	Wheel base	Approx. 51 inches	_____
10.5	Ground clearance	Approx. 6.5 inches	_____
10.6	Weight	Approx. 1500-1900 lbs., <b>state</b>	_____
10.7	Tread width	Approx. front 41 in. and rear 40 in.	_____

**TRAVELING SPEEDS**

10.8	Travel speed range	Dual range	_____
10.9	Forward speed max.	Approx. 20 km/h	_____
10.10	Reverse speed max.	Approx. 11 km/h	_____

**POWER TAKE OF (PTO)**

10.11	PTO system	Independent live, shaft drive. PTO system with guarding for drive shaft and mower deck pulleys and belts.	_____
10.12	PTO clutch	Wet multi discs, hydraulic	_____
10.13	Front	2000-2600 rpm	_____

**ENGINE**

10.14	Engine type	Tier IV interim or final, must meet current Emission Standards. Engine exhaust to be rear discharge. Engine hood to have prop rod or be tilt back past center type design.	_____
10.15	Torque	<b>State</b>	_____
10.16	Horsepower	Approx. Gross 37-39 HP	_____
10.17	Cylinders	(3 or 4) cylinders, <b>state</b>	_____

10.18	Cold weather start aid	Glow plugs	_____
10.19	Cooling	Liquid	_____
10.20	Air cleaner	Dual element dry type	_____
10.21	Air restriction indicator	Gauge	_____
10.22	Engine hood	Flanges guard in order to protect operator's hand	_____

**FUEL**

10.23	Fuel capacity	Approx. 16 US gal.	_____
-------	---------------	--------------------	-------

**ELECTRICAL**

10.24	Alternator	40-60 Amp alternator	_____
10.25	Block heater	CSA approved	_____
10.26	Engine shutoff	Electrically activated engine stop mechanism	_____
10.27	Gauges	Electric fuel / engine temperature / hour meter / tachometer	_____
10.28	Indicator lights	Glow plugs, electrical charge, engine oil pressure	_____
10.29	Lights	Tail reflectors	_____

**OPERATOR STATION  
 ERGONOMICS**

10.30 Cab or station layout should provide a comfortable seating position for the 5<sup>th</sup> to the 95<sup>th</sup> percentile of personnel. Figure 1 below illustrates the variance between a 5<sup>th</sup> to a 95<sup>th</sup> percentile of North American males and females when seated.

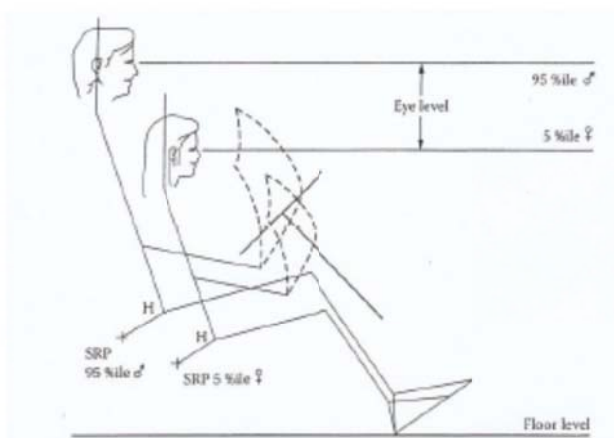
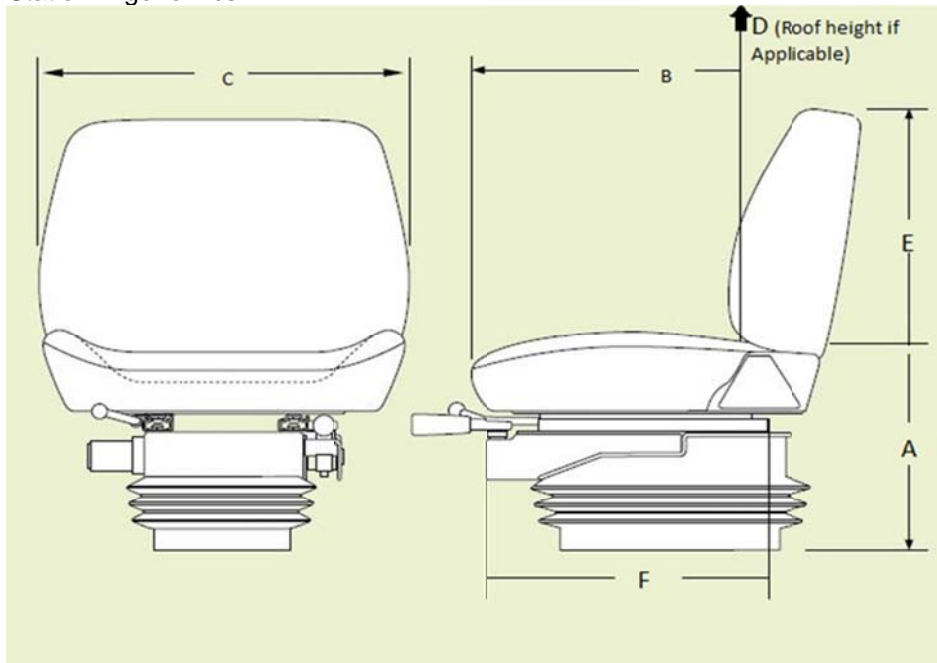


Figure 2: Use the below diagram to answer the specifications for Operator Station Ergonomics.



10.31	Sitting height range from floor (where feet rest) (A)	<b>State</b> , seat height range in inches	_____
10.32	Seat length/depth (B)	<b>State</b> , seat length/depth in inches	_____
10.33	Seat width (C)	<b>State</b> , seat width in inches	_____
10.34	Cab height from seat to roof (if applicable) (D)	<b>State</b> , cab height range in inches	_____
10.35	Back rest height (E)	<b>State</b> , back rest height in inches	_____
10.36	Seat travel range (F)	<b>State</b> , seat travel in inches	_____
10.37	Include any other relevant ergonomic specifications and applicable range of adjustment		_____

**DRIVE TRAIN/TRANSMISSION/STEERING**

10.38	Transmission type	Hydrostatic 2 range hydro trans with hi and lo range (forward & reverse)	_____
10.39	HST pedal	One pedal or two pedals	_____
10.40	Clutch	Direct shaft	_____
10.41	4-Wheel drive (4WD)	Fulltime, with locking differential	_____
10.42	Mower drive	Shaft drive, front PTO	_____
10.43	Brakes	Disc, with parking brake	_____
10.44	Steering	Hydrostatic, with tilt, steering wheel	_____



**TIRES**

10.45	Front	Turf tire, <b>state</b> size	_____
10.46	Rear	Turf tire, <b>state</b> size	_____
10.47	Tire make and model	<b>State</b>	_____
10.48	Spare tires	<b>State</b> , optional price for spare front and rear rim/tire	\$_____

**MOWER DECK**

**Note: Units to have 72" Mower Deck. To be priced only as indicated on Form B: Prices Item 1.**

10.49	Mower deck	Rear discharge with guarding (mulching deck with cutting blades)	_____
10.50	Deck thickness	Steel 7 gauge	_____
10.51	Cutting width	72 inch rear discharge	_____
10.52	Cutting height	1 to 5 inches	_____
10.53	Caster wheels	Front solid deck wheel	_____
10.54	Weight transfer	<b>State</b> type, (Front mounted Tension springs from mower deck to tractor not acceptable)	_____
10.55	Blades	Cutting blades only	_____
10.56	Extra cutting blades	All units to come with an extra set of cutting blades	_____

**Note: Units to have 60" Mower Deck. To be priced only as indicated on Form B: Prices Item 1a.**

10.57	Mower deck	Rear discharge with guarding (mulching deck with cutting blades)	_____
10.58	Deck thickness	Steel 7 gauge	_____
10.59	Cutting width	60 inch rear discharge	_____
10.60	Cutting height	1 to 5 inches	_____
10.61	Caster wheels	Front solid deck wheel	_____
10.62	Weight transfer	<b>State</b> type, (Front mounted Tension springs from mower deck to tractor not acceptable)	_____
10.63	Blades	Cutting blades only	_____
10.64	Extra cutting blades	All units to come with an extra set of cutting blades	_____

**STORAGE**

10.65 Storage Tool/storage box for storage of hand tools and operator's manual \_\_\_\_\_

**SAFETY EQUIPEMNT**

10.66 ROPS (Roll Over Protection Structure) Standard, certified, foldable \_\_\_\_\_

10.67 OPC Operator's presence control required \_\_\_\_\_

10.68 Seat belts Retractable seat belt \_\_\_\_\_

10.69 Parking brakes With warning indicator \_\_\_\_\_

10.70 Lights Head light \_\_\_\_\_

10.71 Back-up alarm **State** dB \_\_\_\_\_

10.72 Safety Slow-moving vehicle warning triangle, 2lbs. Type ABC fire extinguisher installed and fastened to rear of tractor. (See Appendix A) \_\_\_\_\_

10.73 Safety lighting Make and model Hella MLB 100 (12-24 VDC) P/N H27996001. Nonmagnetic (LED Micro Light Bar) wired directly to the ignition, mounted slightly behind top to centered on top of ROPS. (See Appendix A) \_\_\_\_\_

**HYDRAULIC SYSTEM**

10.74 Type Open center \_\_\_\_\_

10.75 Main pump Gear type \_\_\_\_\_

10.76 2-point hitch Standard \_\_\_\_\_

10.77 Lift control type Hydraulic \_\_\_\_\_

10.78 Lift capacity **State** lift capacity \_\_\_\_\_

11.0 **WARRANTY**

11.1 The Contractor shall warrant the equipment and all parts thereof, against any defects of workmanship, construction and materials, and agrees to repair or replace without cost to the City any article that has become defective and not proven to have been caused by negligence on the part of the user for a period of **two (2) years or no hour limit 'bumper to bumper'**. \_\_\_\_\_

11.2 All warranty information shall be detailed and include all exclusions. The successful bidder shall provide all published warranty information upon delivery of the equipment. Bidder shall state all warranty information. \_\_\_\_\_

12.0 **DELIVERY**

12.1 Delivery Point: The complete unit shall be serviced, ready for operation and delivered F.O.B. with the freight prepaid, including invoice and N.I.V.S. (if applicable) to the WFMA 185 Tecumseh Street, Winnipeg MB. The successful bidder shall be notified by the Contractor Administrator the delivery address prior to issuance of the purchase order \_\_\_\_\_

12.2 Delivery Time: **Eight to ten (8-10) calendar weeks** from the date of award. Equipment shall be delivered between 8:00 am and 3:00 pm on Business Days. \_\_\_\_\_

12.3 Delivery Contact: The Contractor shall contact the Contract Administrator prior to delivery of the equipment. \_\_\_\_\_

12.4 P.D.I: A pre-delivery inspection shall be performed by the Contractor on the equipment. Proof upon inspection including completed check list \_\_\_\_\_

13.0 **MANUALS**

13.1 Manuals supplied under this Contract. The manuals shall cover the complete equipment including all components thereof, CD is preferred where available. \_\_\_\_\_

13.2 The following manuals shall be supplied with the units when delivered:

a) Operator's manual – Two (2) per unit (one operator manual shall be sent to the Equipment Operator Training Branch \_\_\_\_\_

b) Parts and service manuals – one (1) complete sets including preventative maintenance schedules. CDs are preferred. \_\_\_\_\_

14.0 **PARTS/LABOUR PRICING**

14.1 Bidder to provide City of Winnipeg Parts Discount % Pricing from retail parts pricing. **State percentage discount-** \_\_\_\_\_

14.2 Bidder to provide City of Winnipeg Labor Discount % Pricing from Retail shop labor rate. **State percentage discount-** \_\_\_\_\_