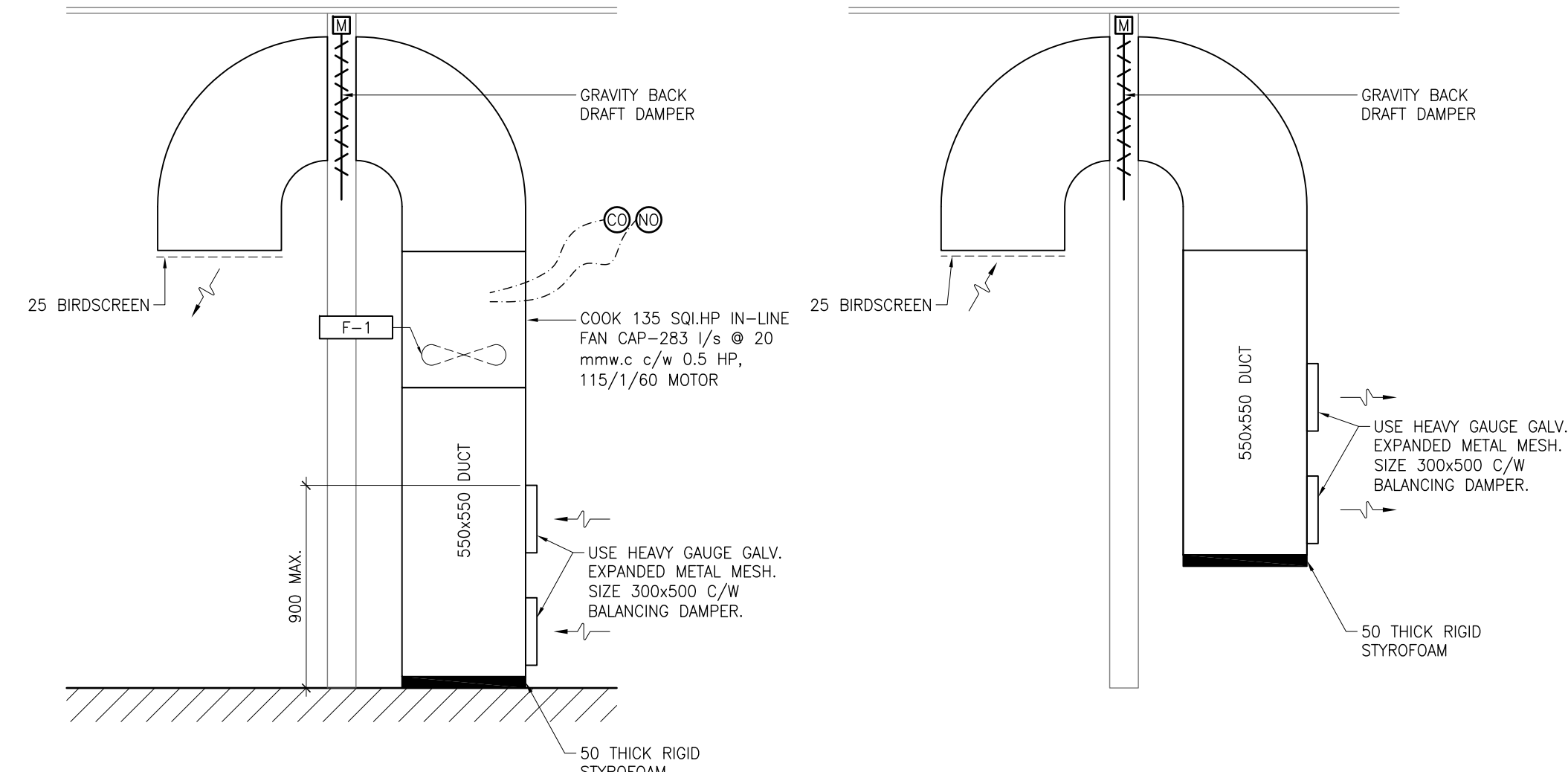
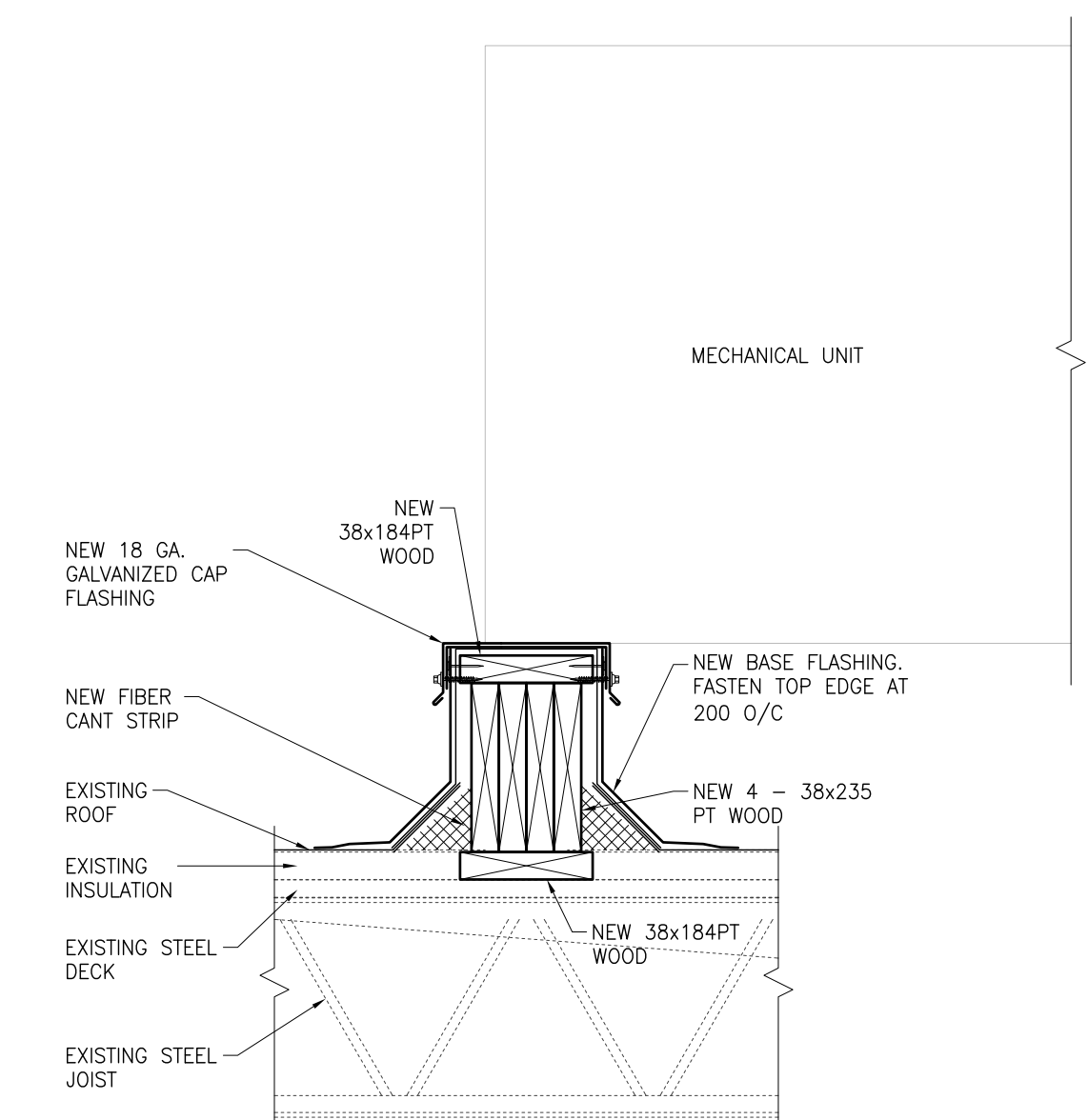


A ROOF VENTILATION PLAN
 M102 1:100

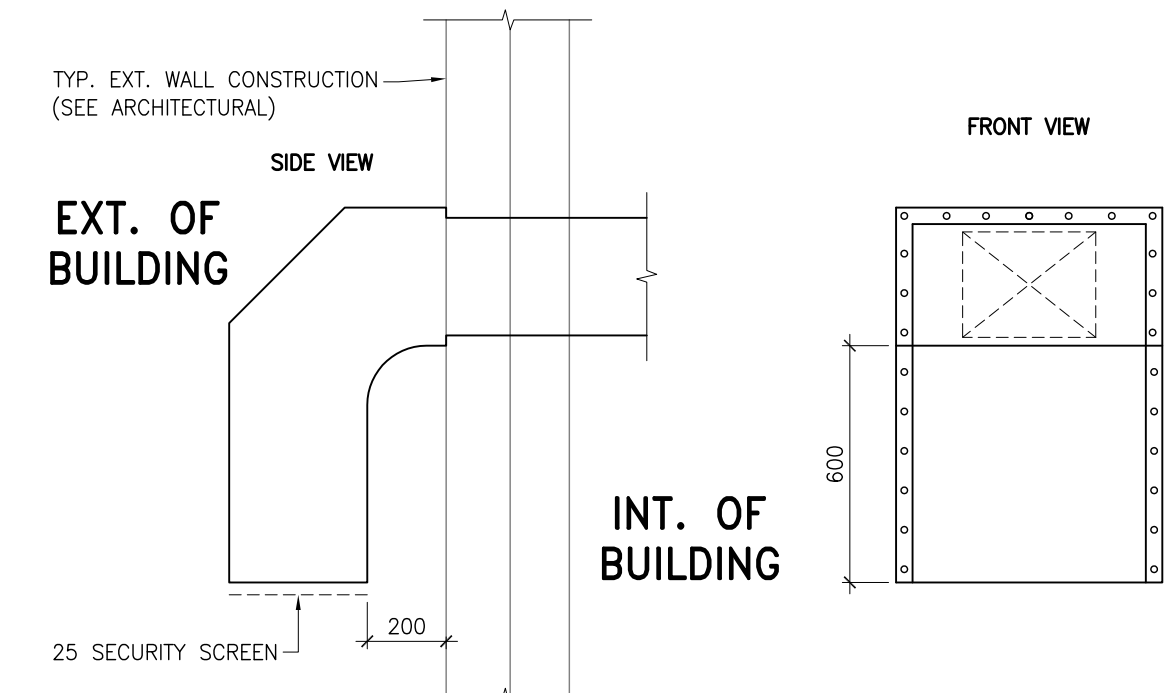


1 SECTION
 M102 1:25
 SEQUENCE OF OPERATION
 1. FAN NORMAL POSITION IS OFF.
 2. ON HIGH CO OR NO LEVELS, START EXHAUST FAN AND SOUND LOCAL AUDIBLE AND VISUAL ALARM.

2 SECTION
 M102 1:25



B TYP. SEC. ROOF CURB SUPPORT
 M102 NTS



C EXTERIOR DUCT HOOD DETAIL
 M102 NTS

GRILL, REGISTER AND DIFFUSER SCHEDULE:

TYPE	MANUFACTURER	INLET SIZE	FACE SIZE [mm x mm] [in x in]	MODEL INFORMATION	REMARKS / NOTES
A	PRICE	AS NOTED	AS NOTED	95/F/L/A/B12	
B	PRICE	AS NOTED	AS NOTED	520/D/F/L/A/B12	C/W BALANCING DAMPER
C	PRICE	AS NOTED	610 24 610 24	SPD/31/B12	C/W BALANCING DAMPER
D	PRICE	AS NOTED	AS NOTED	80/F/A/B12	C/W BALANCING DAMPER

REV	DESCRIPTION	DWN	APP	REV DATE
0	ISSUED FOR TENDER		KAC BKW	SEP 15 2016

Accutech Engineering Inc.
 Tomorrow's Technology Today

1349 Dugald Road, Winnipeg, Manitoba, Canada R2J 0H3
 phone 204.944.1555 fax 204.944.1444
 www.accutech.ca

SEAL

PROVINCE OF MANITOBA
 SEP 15 2016
B.K. WALL
 REGISTERED ENGINEER

PERMIT TO PRACTICE

APEGM
 Certificate of Authorization
 Accutech Engineering Inc.
 No. 1660 Date: SEP 15 2016

CLIENT
**THE CITY OF WINNIPEG
 GREENDELL PARK C.C.**

PROJECT
HVAC ELECTRICAL UPGRADES

SHEET TITLE
VENTILATION ROOF PLAN

DRAWN BY	CHECKED BY	SCALE	SHEET NO
KAC	BKW	AS NOTED	M102
DESIGNED BY	JOB NUMBER	DATE	REVISION NO
LCS	18558	SEP 15 2016	0