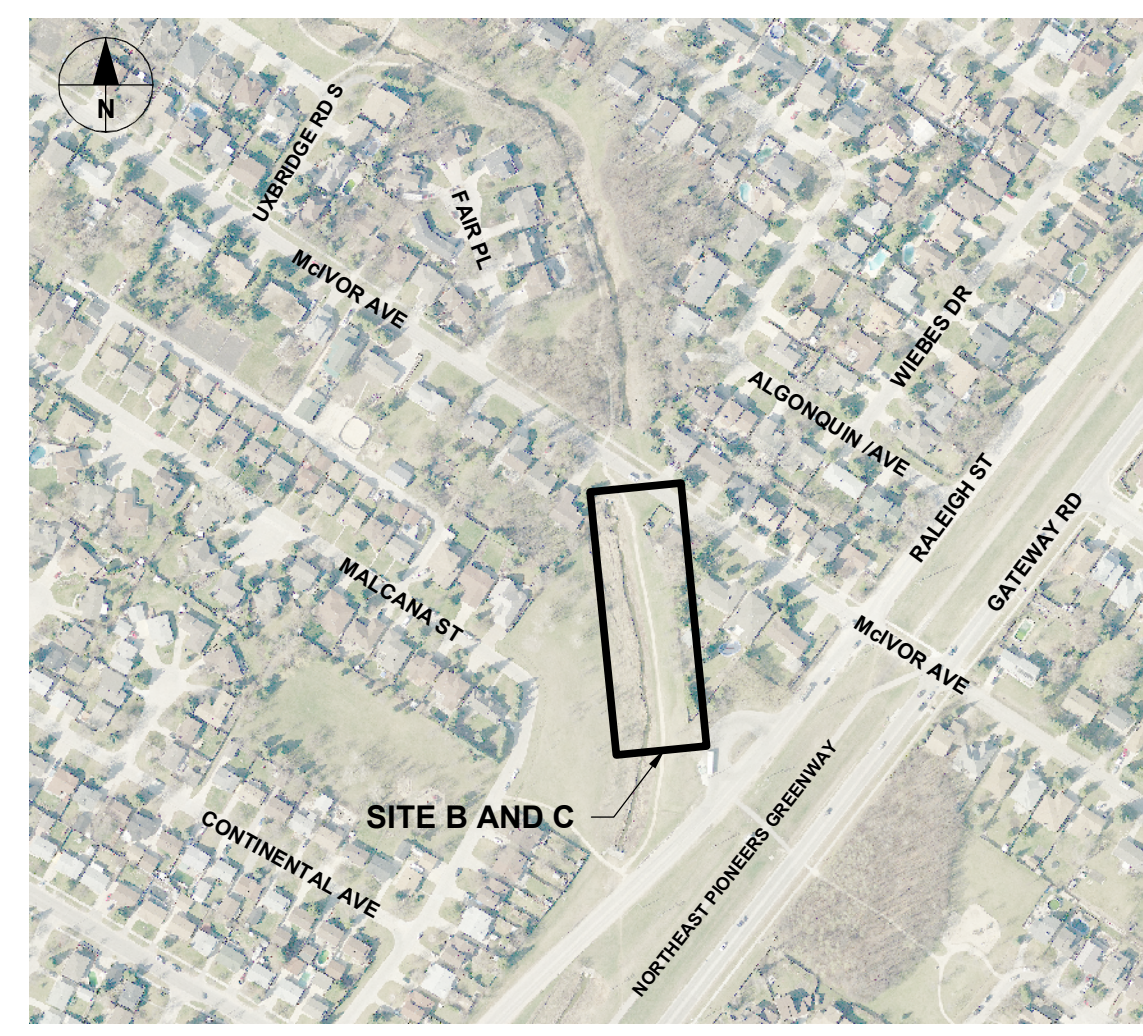


PLAN
1 : 250



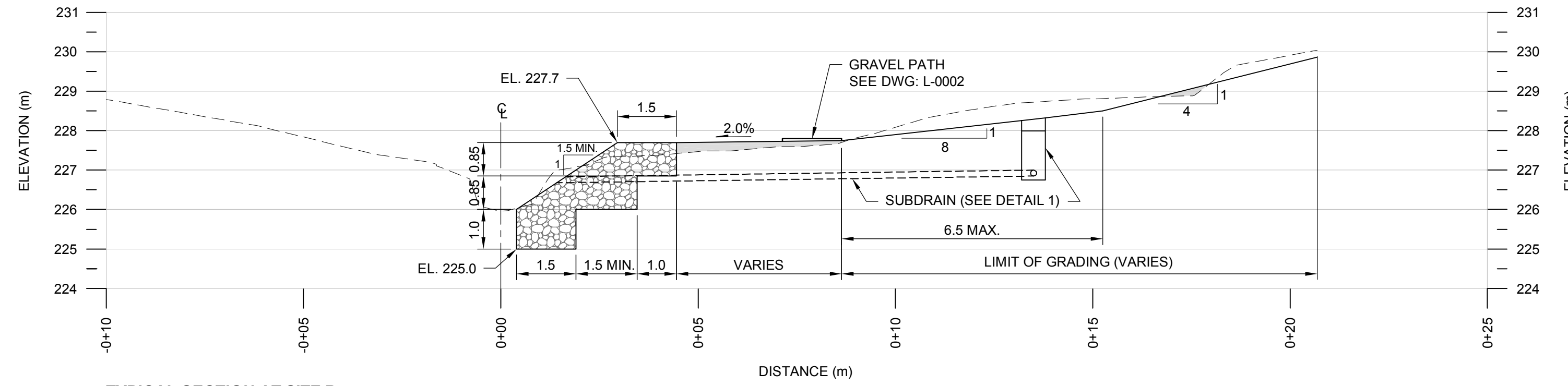
LOCATION PLAN
1:4000

PLAN LEGEND

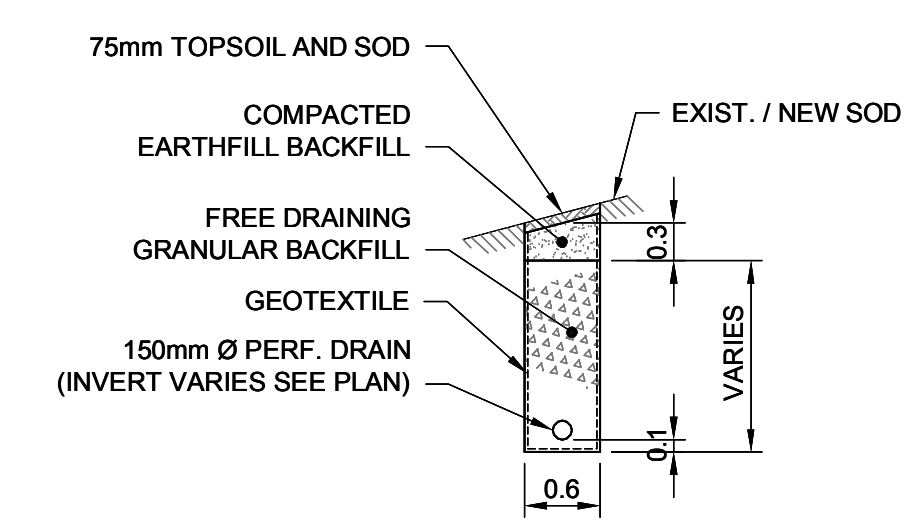
- AREA TO BE GRADED
- CRUSHED LIMESTONE 6" DOWN
- SHEET PILE WALLS
- 150mm Ø PERFORATED PIPE
- DRAINAGE DIRECTION
- SUBDRAIN LIMITS
- SLOPE
- EXISTING CONTOUR

SECTION LEGEND

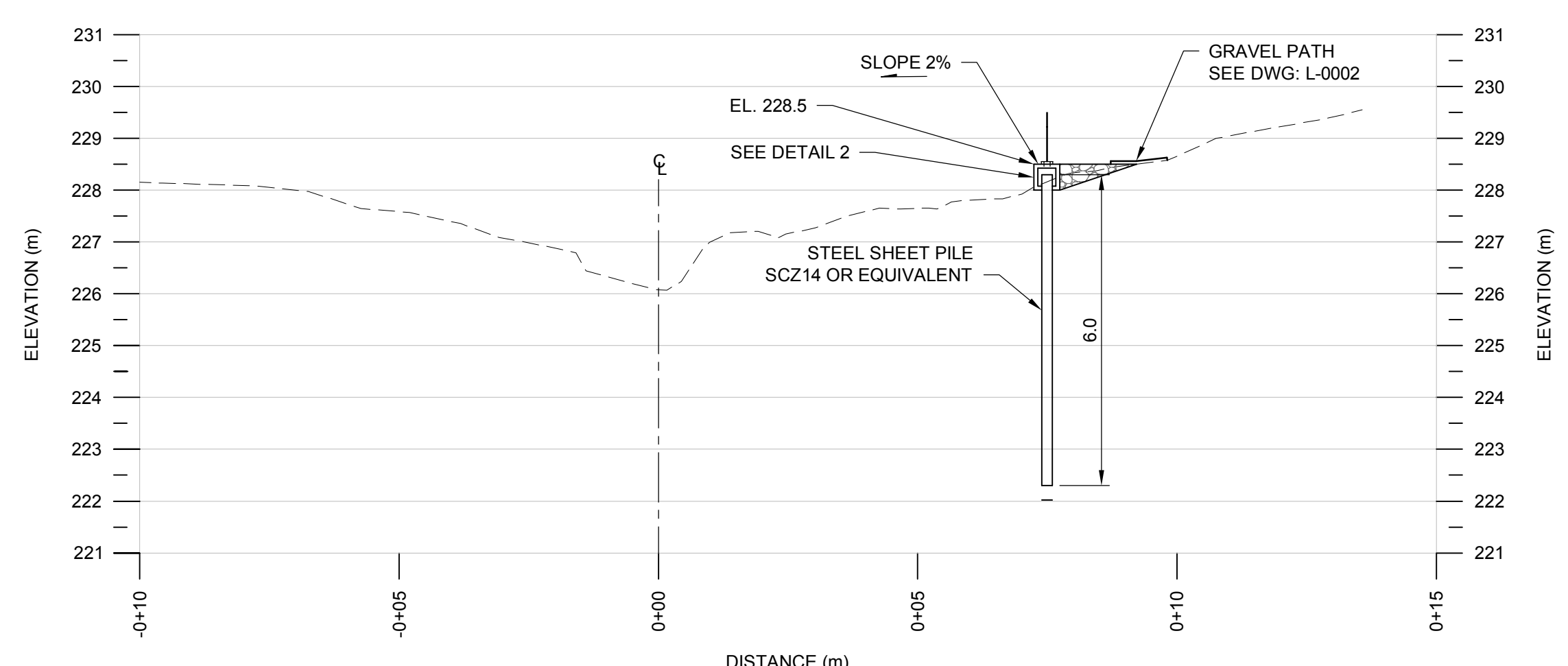
- EXISTING GROUND
- CRUSHED LIMESTONE 6" DOWN
- CLAY FILL



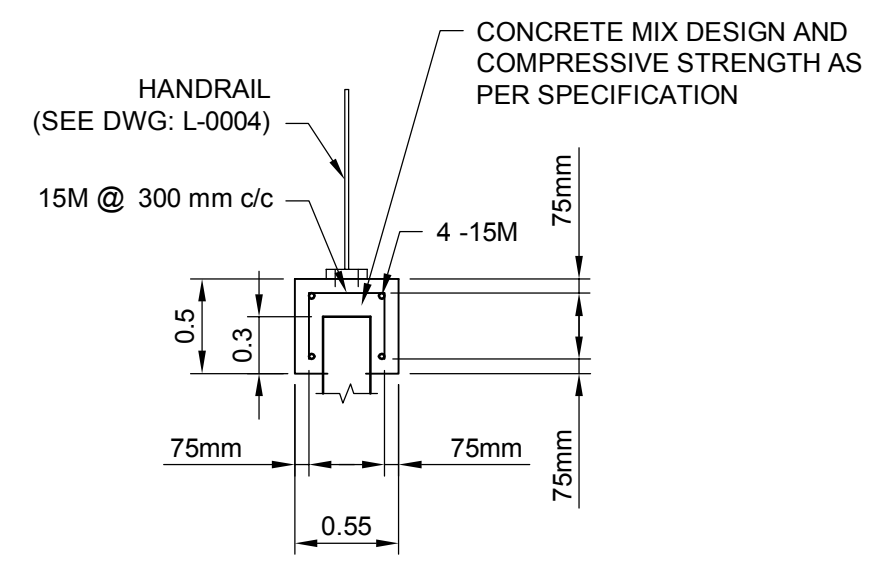
TYPICAL SECTION AT SITE B
SCALE 1:100



DETAIL 1
SCALE 1:60



TYPICAL SECTION AT SITE C
SCALE 1:100



DETAIL 2
SCALE 1:40

SUBDRAIN DRAINAGE ELEVATION COORDINATES

POINT No.	INVERT ELEVATION	EASTING	NORTHING
PT. 1	227.000	639588.837	5534161.431
PT. 2	226.920	639591.036	5534169.131
PT. 3	226.840	639590.245	5534177.091
PT. 4	226.760	639589.453	5534185.052
PT. 5	226.680	639588.662	5534193.013
PT. 6	226.853	639586.947	5534210.261

NOTE:
EXACT LOCATION OF SUBDRAIN MAY NEED TO BE MODIFIED DURING CONSTRUCTION DUE TO THE PRESENCE OF TREES AND PROXIMITY OF PRIVATE PROPERTY.

CONSTRUCTION COORDINATES

POINT No.	EASTING	NORTHING
PT. A	639578.682	5534158.175
PT. B	639581.283	5534158.435
PT. C	639587.857	5534159.092
PT. D	639593.96	5534180.458
PT. E	639585.020	5534209.982
PT. F	639577.817	5534208.693
PT. G	639574.399	5534208.080
PT. H	639576.377	5534194.755
PT. I	639575.922	5534185.525
PT. J	639579.376	5534165.183
PT. K	639582.116	5534165.491

NOTE:
CONSTRUCTION COORDINATES FOR POINTS C, D AND E ARE APPROXIMATE AND WILL BE DETERMINED DURING CONSTRUCTION.

ALL DIMENSIONS, ELEVATIONS AND STATIONS ARE IN METRES (m) UNLESS SHOWN OTHERWISE.

NOTICE:
THE EXISTENCE, LOCATION AND ELEVATION OF UTILITIES AND/OR CONCEALED STRUCTURES AT THE PROJECT SITE ARE NOT GUARANTEED BY AECOM.



I/R	DATE	DESCRIPTION
0	2015/11/24	ISSUED FOR CONSTRUCTION