

Drawing Title: PARKWAY PATH CRUSHED LIMESTONE **Drawing No:** SCD-646

General Notes

- Sub-Grade, Sub Base & Base Coarse Construction as per CW 3110
- Topsoil & Seed as per CW3520 and CW 3540
- Topsoil & Sod as per CW 3510 and CW 3540

3000 mm (10') MIN.
OR AS SPECIFIED ON THE DRAWINGS

25.4 mm (1") CRUSHED LIMESTONE TOPPING MATERIAL, 6 mm (1/4") DOWN

50 mm (2") CRUSHED LIMESTONE BASE COARSE, 20 mm (3/4") DOWN

150 mm (6") CRUSHED LIMESTONE SUB-BASE, 50 mm (2") DOWN

NON-WOVEN GEOTEXTILE FABRIC TO BE PLACED BETWEEN SUBGRADE AND GRANULAR BASE as per CW 3130-latest revision

MIN. 1.0% - MAX. 2%

COMPACTED SUB GRADE

75 mm (3")

75 mm (3")

Ex. Sod

Ex. Sod

TURF REPAIRS (AS SPECIFIED)

DIMENSIONS SHOWN ARE IN MILLIMETRES UNLESS OTHERWISE SPECIFIED

REVISION: 1
DATE: January 12, 2012
SCALE: NTS
DRAWN BY: SP

The City of Winnipeg
Planning, Property and Development Department
Unit 15 - 30 Fort Street, Winnipeg, MB, R3C 4X5

Drawing Title: PARKWAY PATH ASPHALT **Drawing No:** SCD-648

General Notes

- Asphalt Concrete Pavement Works as per CW 3410
- Sub-Grade, Sub Base & Base Coarse Construction as per CW 3110
- Topsoil & Seed as per CW3520 and CW 3540
- Topsoil & Sod as per CW 3510 and CW 3540

3000 mm (10') MIN.
OR AS SPECIFIED ON THE DRAWINGS

75 mm (3") ASPHALT TYPE AS SPECIFIED

50 mm (2") CRUSHED LIMESTONE BASE COARSE, 20 mm (3/4") DOWN

150 mm (6") CRUSHED LIMESTONE SUB-BASE, 50 mm (2") DOWN

NON-WOVEN GEOTEXTILE FABRIC TO BE PLACED BETWEEN SUBGRADE AND GRANULAR BASE as per CW 3130-latest revision

MIN. 1.0% - MAX. 2%

COMPACTED SUB GRADE

75 mm (3")

75 mm (3")

Ex. Sod

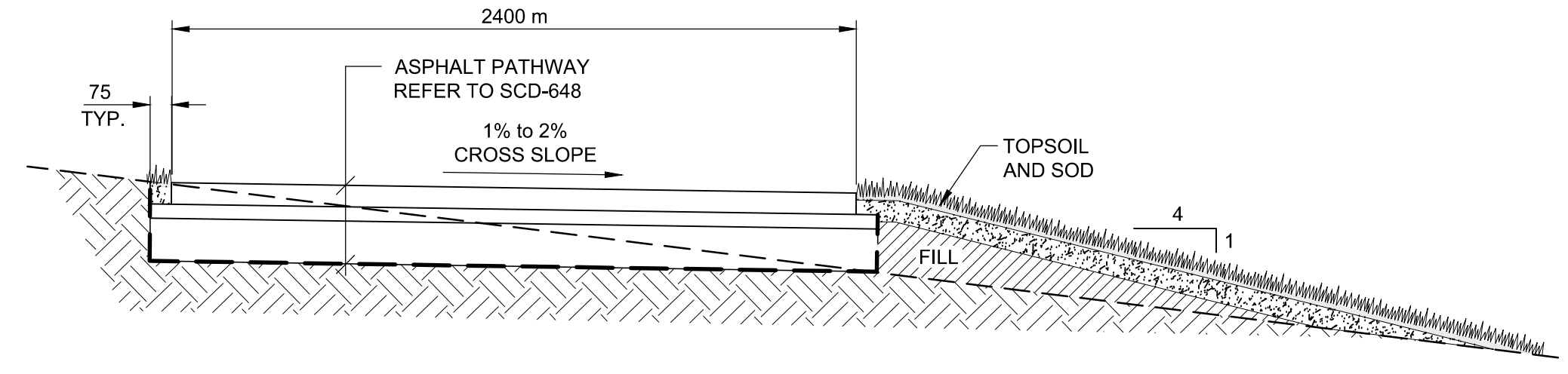
Ex. Sod

TURF REPAIRS (AS SPECIFIED)

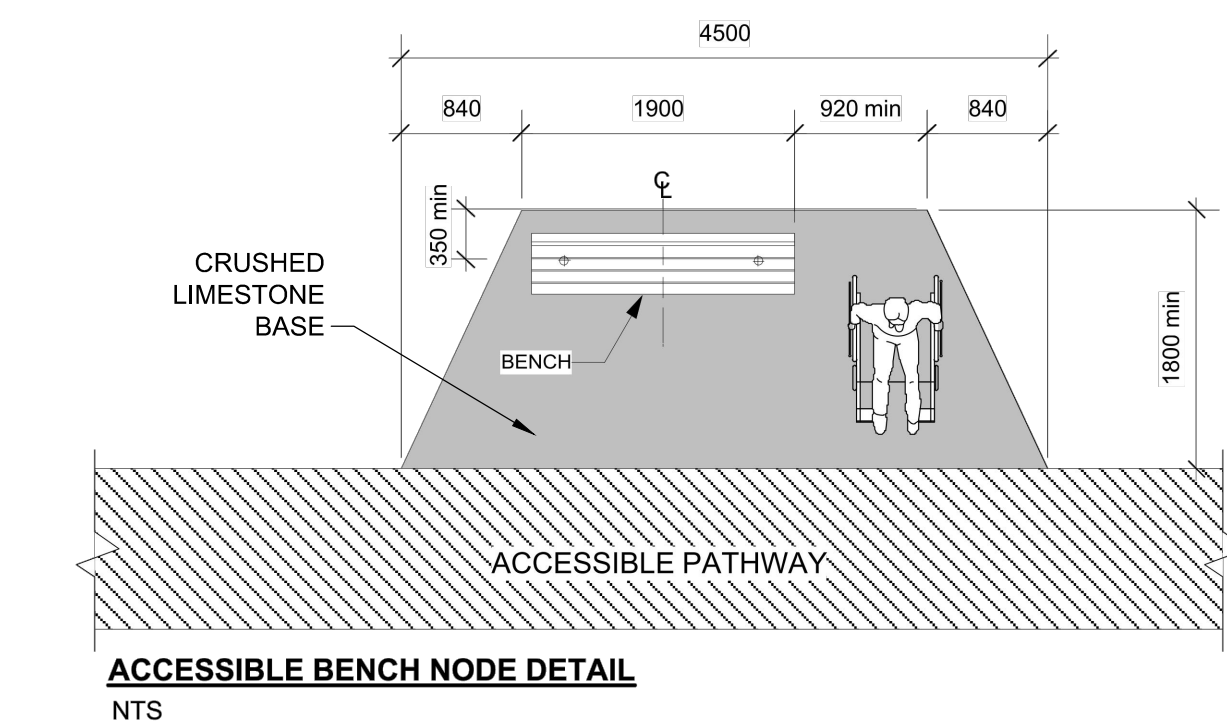
DIMENSIONS SHOWN ARE IN MILLIMETRES UNLESS OTHERWISE SPECIFIED

DATE: January 12, 2012
SCALE: N.T.S.
DRAWN BY: SP

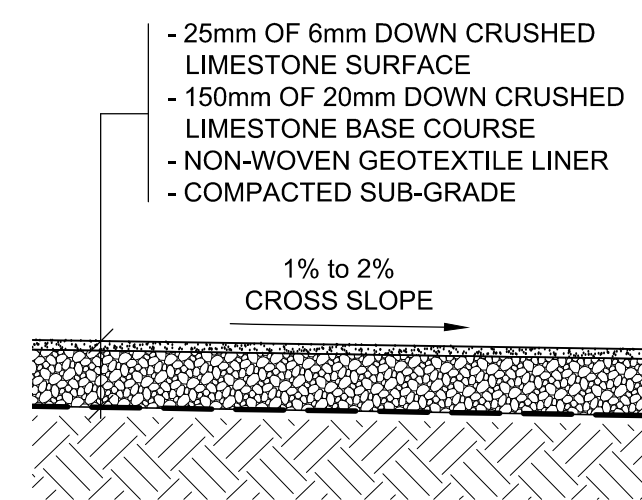
The City of Winnipeg
Planning, Property and Development Department
Unit 15 - 30 Fort Street, Winnipeg, MB, R3C 4X5



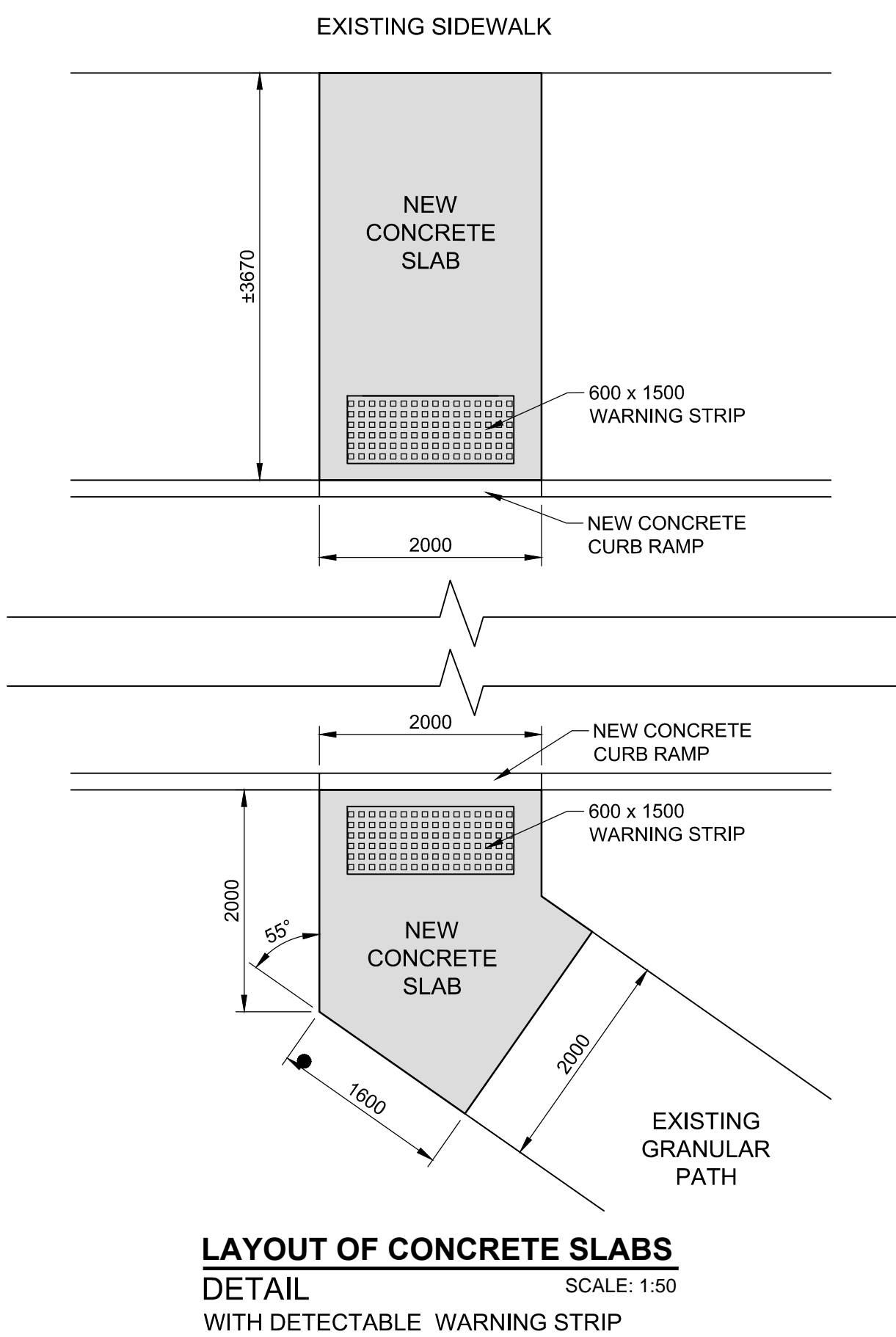
NEW ASPHALT PATHWAY - ON SLOPE
DETAIL TYPICAL
SCALE: NTS



ACCESSIBLE BENCH NODE LAYOUT
SCALE: NTS



ACCESSIBLE BENCH NODE CRUSHED LIMESTONE BASE DETAIL
TYPICAL
SCALE: NTS



BID OPPORTUNITY NO. 1038-2015

WHOLE NUMBERS INDICATE MILLIMETRES (mm).
DECIMALIZED NUMBERS INDICATE METRES (m).



I/R	DATE	DESCRIPTION
0	2015/11/24	ISSUED FOR CONSTRUCTION