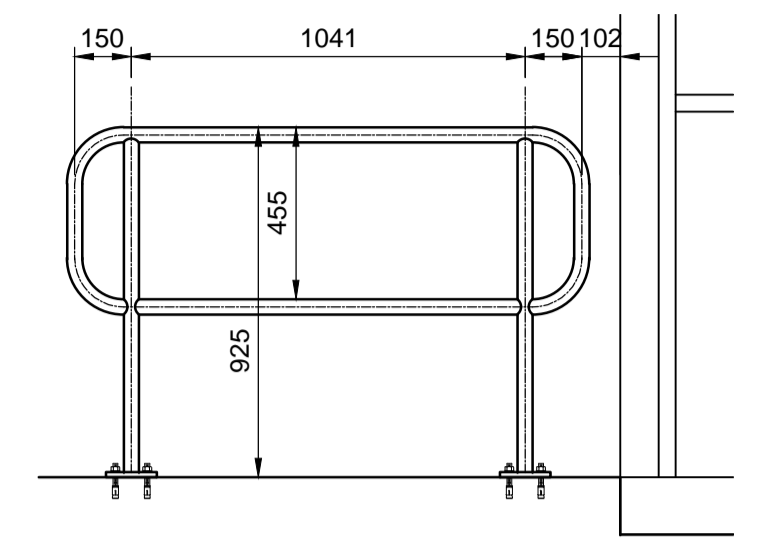
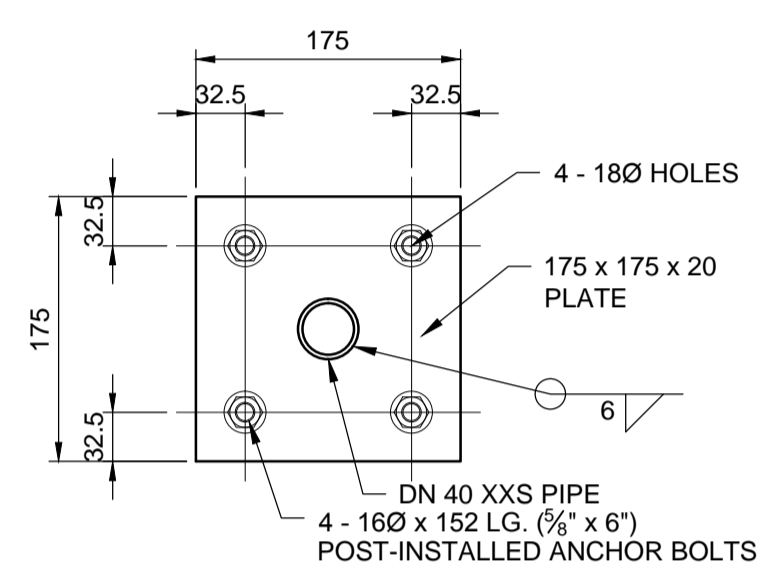


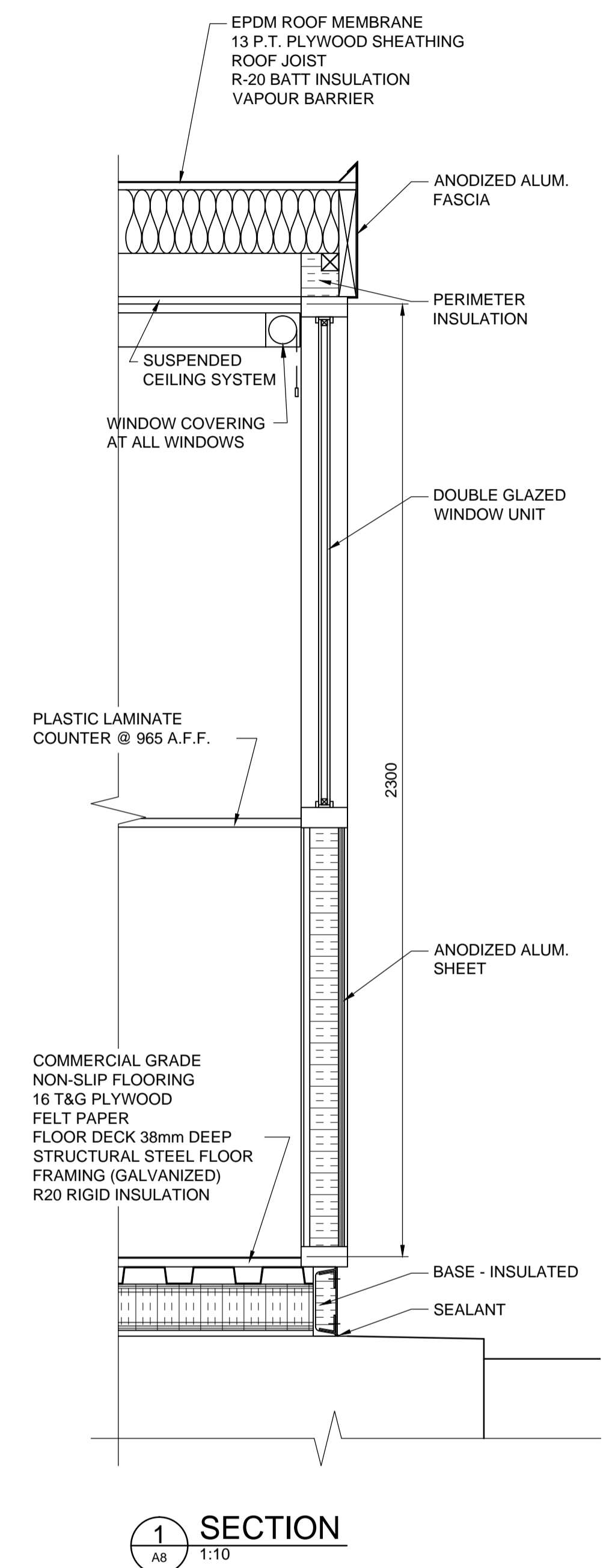
**FLOOR PLAN**  
1:20



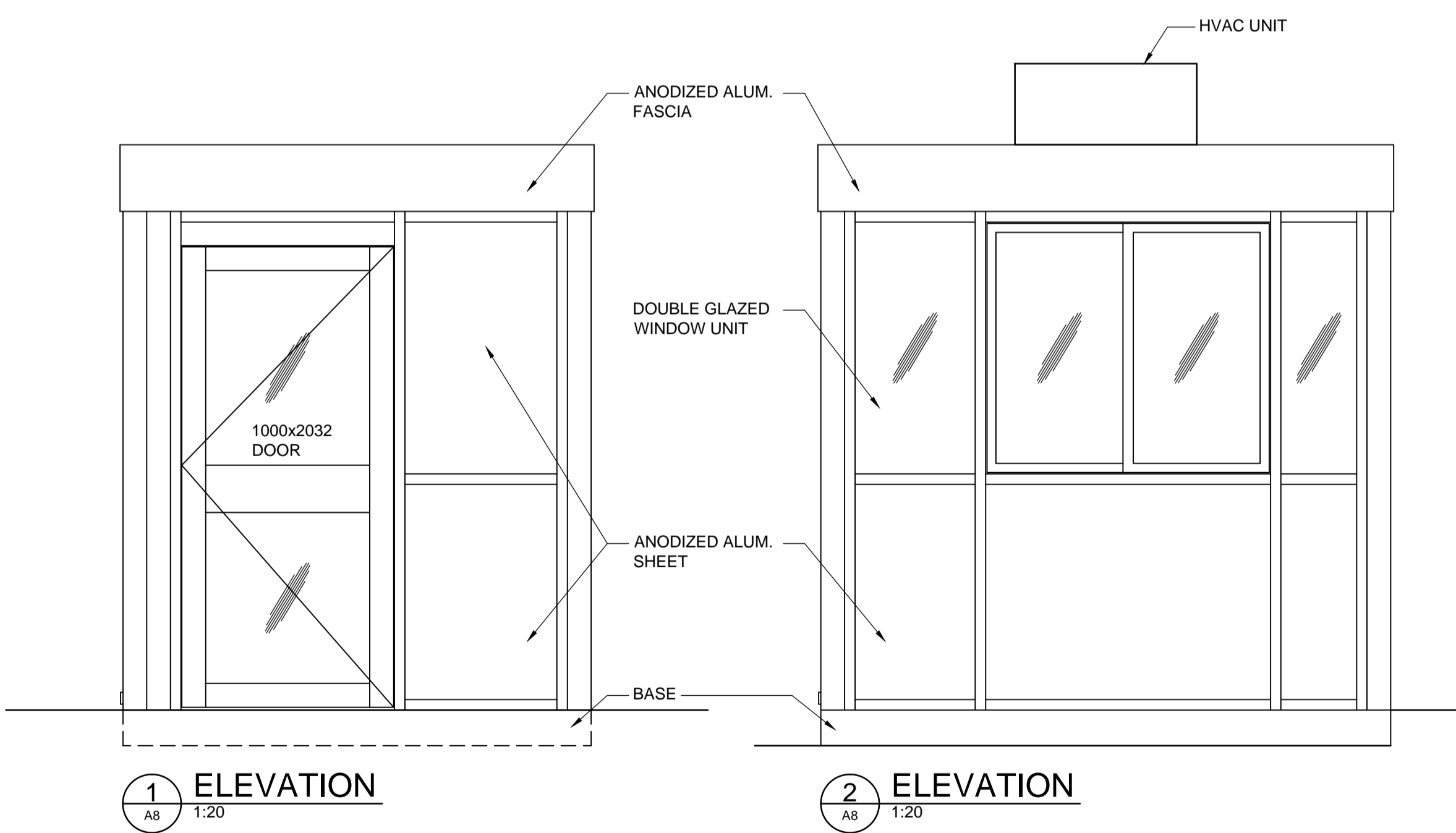
**GUARDRAIL ELEVATION**  
1:20



**BASE PLATE DETAIL**  
1:5

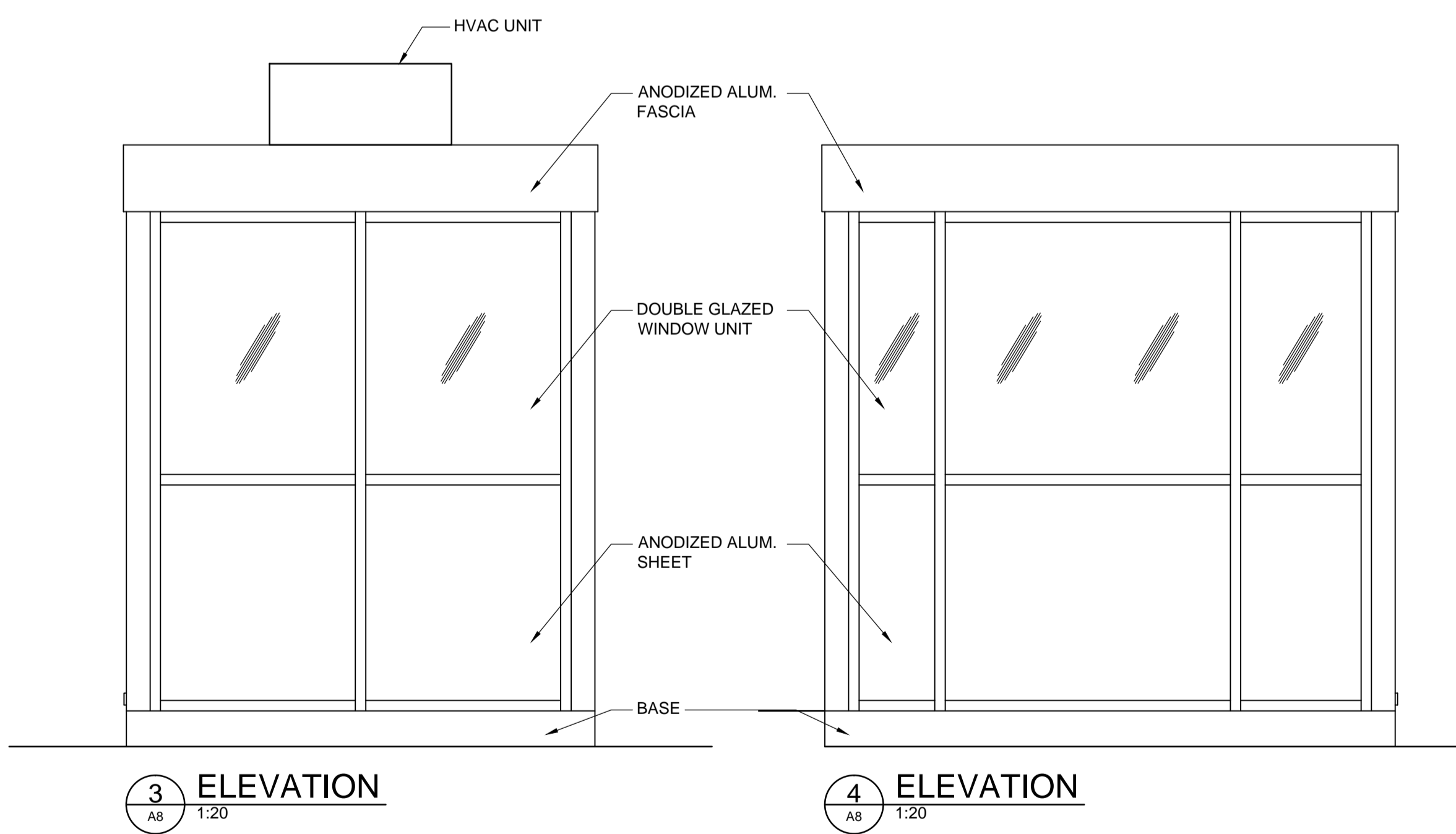


**SECTION 1**  
1:10



**1 ELEVATION**  
1:20

**2 ELEVATION**  
1:20



**3 ELEVATION**  
1:20

**4 ELEVATION**  
1:20

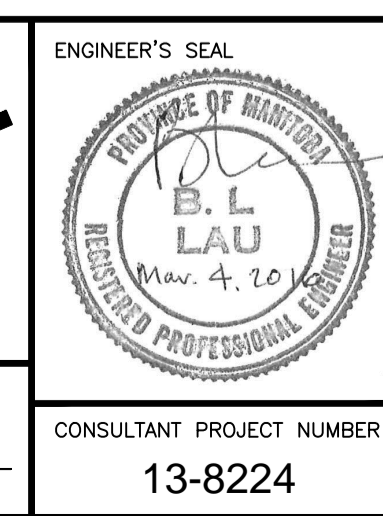
**METRIC**

WHOLE NUMBERS INDICATE MILLIMETRES  
DECIMALIZED NUMBERS INDICATE METRES

C:\projects\winnipeg\_working\_directory\active\4046\024576A\138224-01-ARCH-PACIFIC.dwg



B.M. ELEV.	DESIGNED BY	LDP
	DRAWN BY	PDR
	CHECKED BY	LDP
	APPROVED BY	ARR
	HOR. SCALE	AS NOTED
	VERTICAL	
1 ISSUED FOR TENDER	16/03/04	ARR
NO. REVISIONS	DATE	BY DATE



**THE CITY OF WINNIPEG**  
PUBLIC WORKS DEPARTMENT

4R WINNIPEG DEPOT  
PACIFIC AVENUE

**KIOSK - FLOOR PLAN, ELEVATIONS, SECTION, GUARD DETAILS**

CITY DRAWING NUMBER: 1-0851A-A0008-001  
SHEET 30 OF 43  
CONSULTANT DRAWING NUMBER: A-8

CONSULTANT PROJECT NUMBER: 13-8224