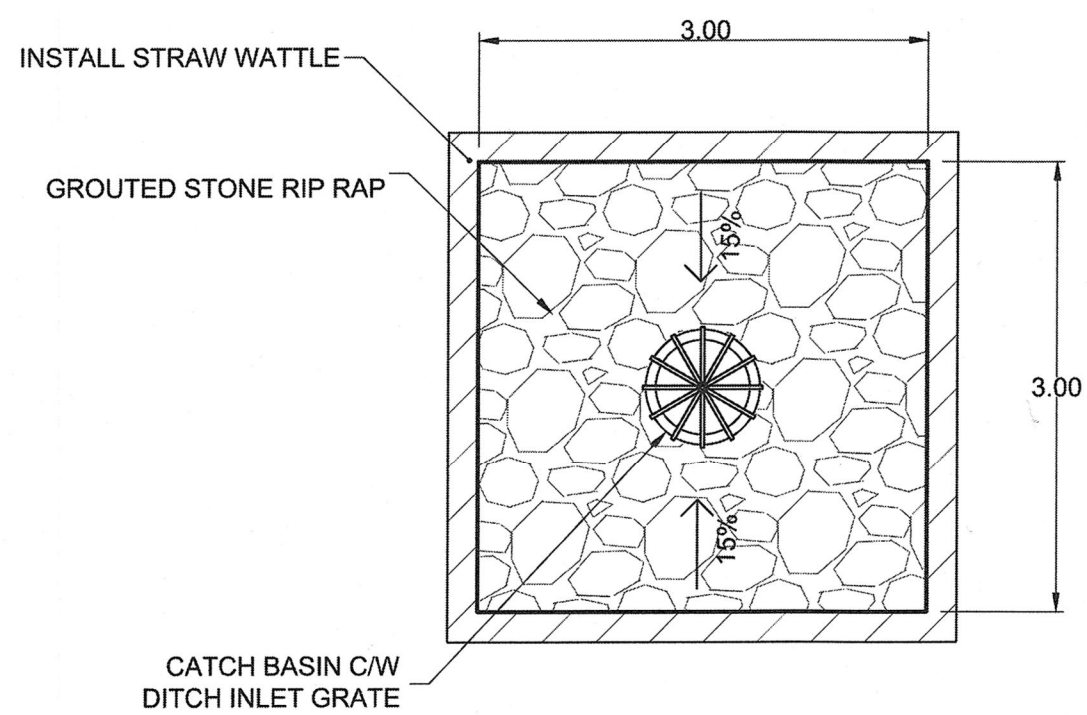
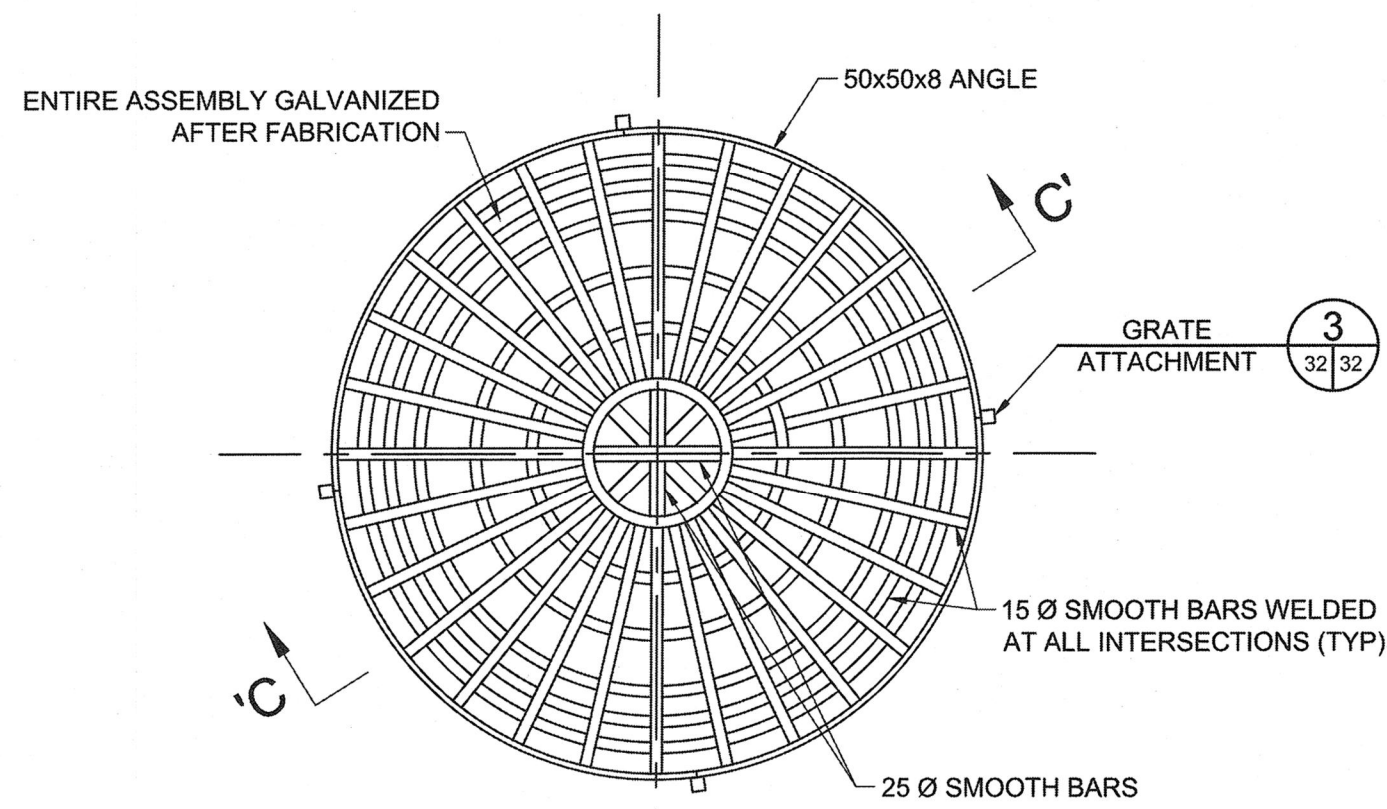


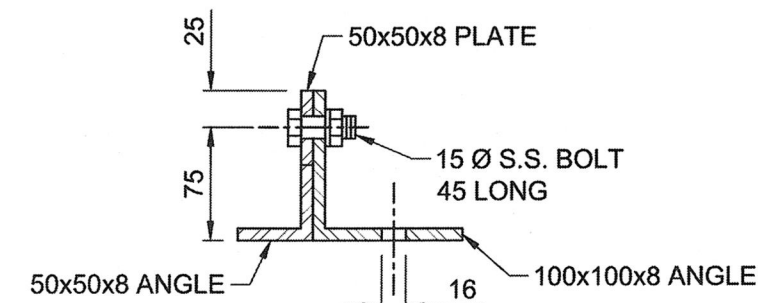
1 POND CATCH BASIN DETAIL
SCALE 1:20



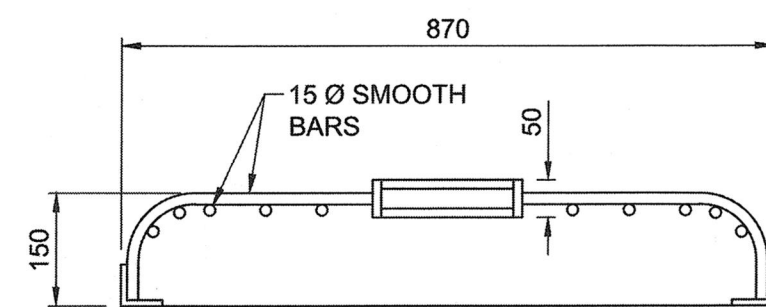
PLAN VIEW
SCALE 1:50



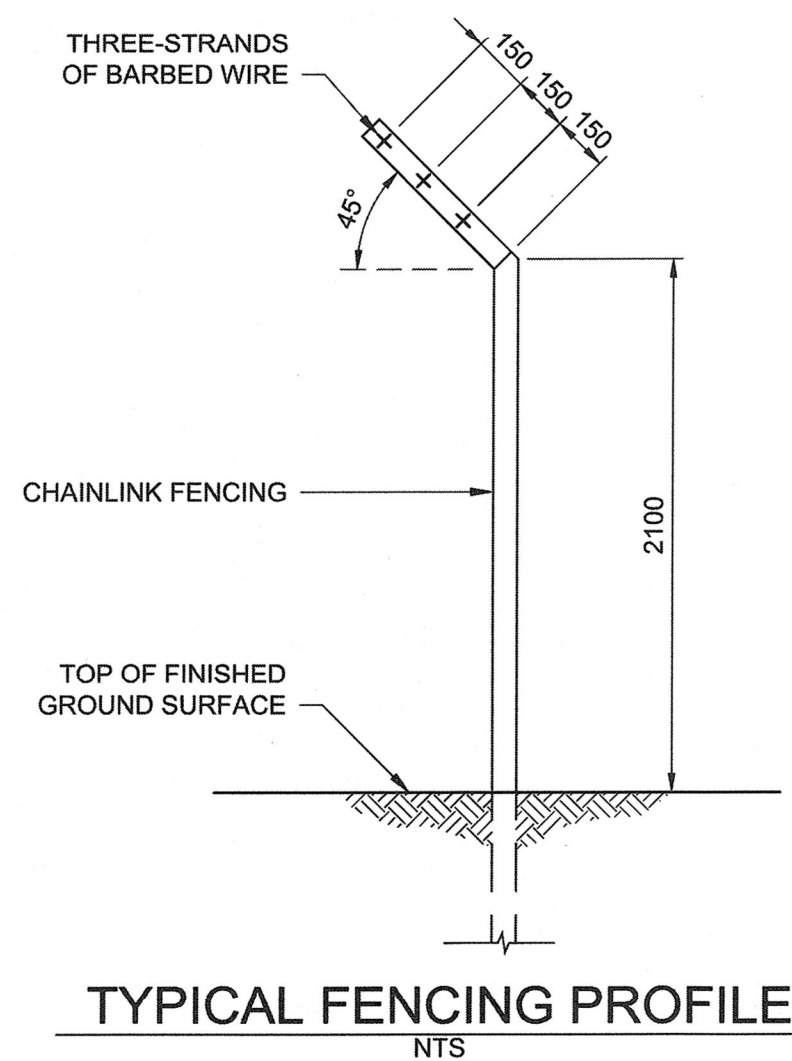
2 DITCH INLET GRATE
SCALE 1:10



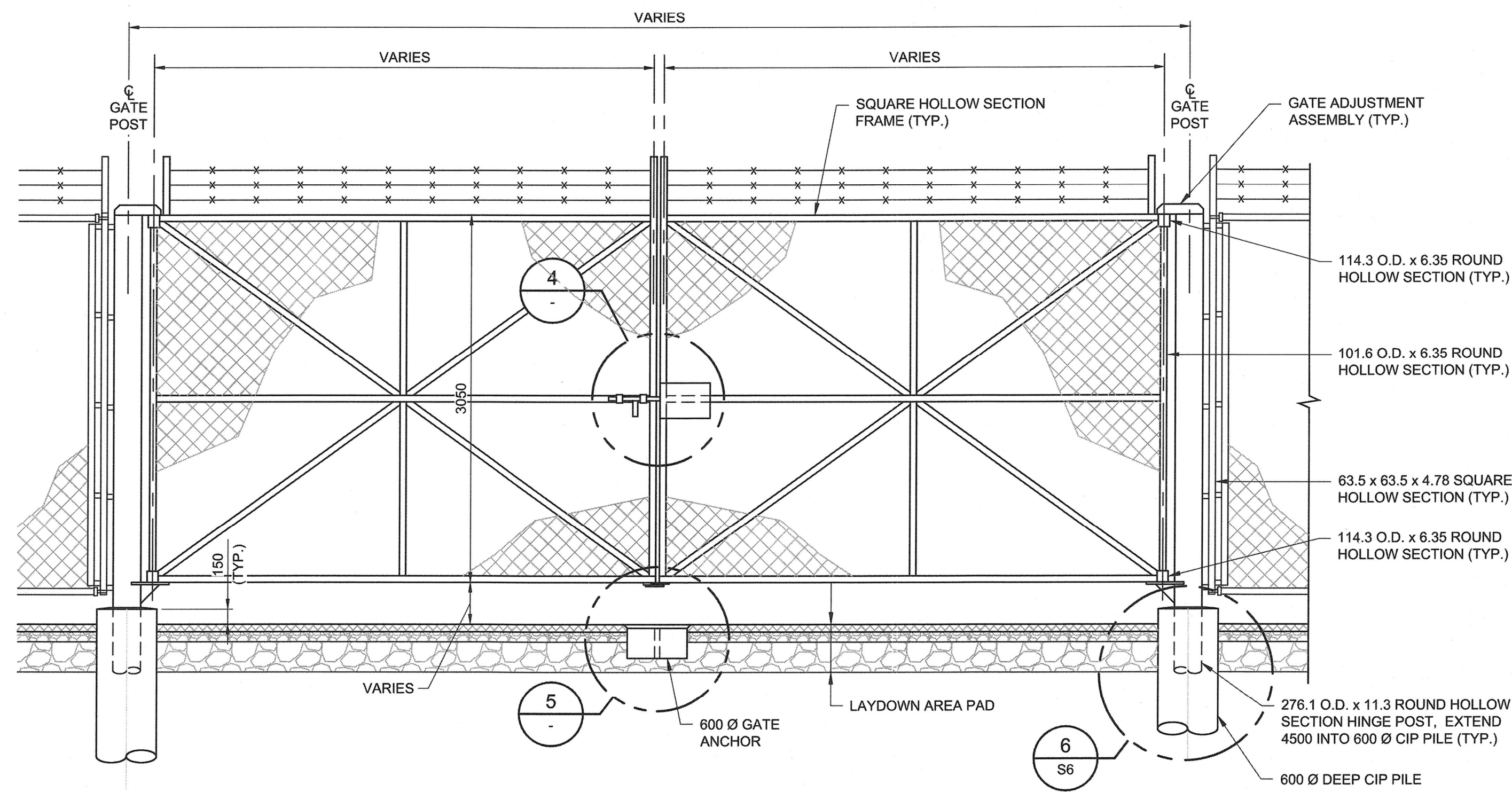
3 GRATE ATTACHMENT
SCALE 1:5



SECTION 'C-C'
SCALE 1:10

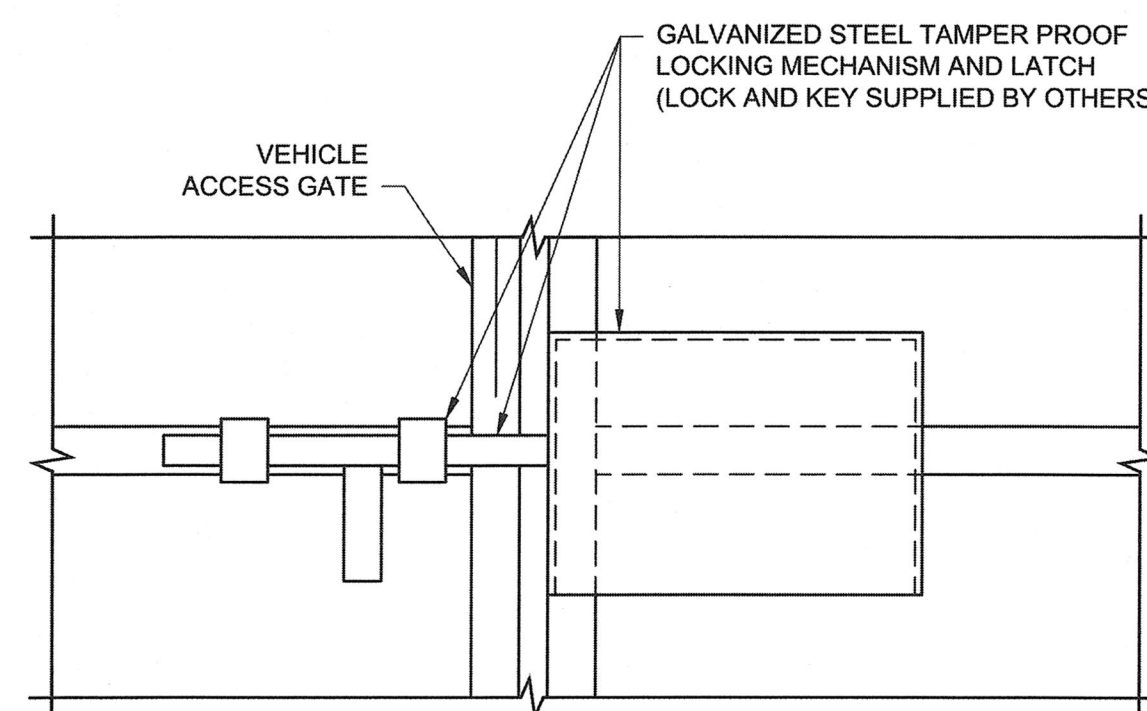


TYPICAL FENCING PROFILE
NTS

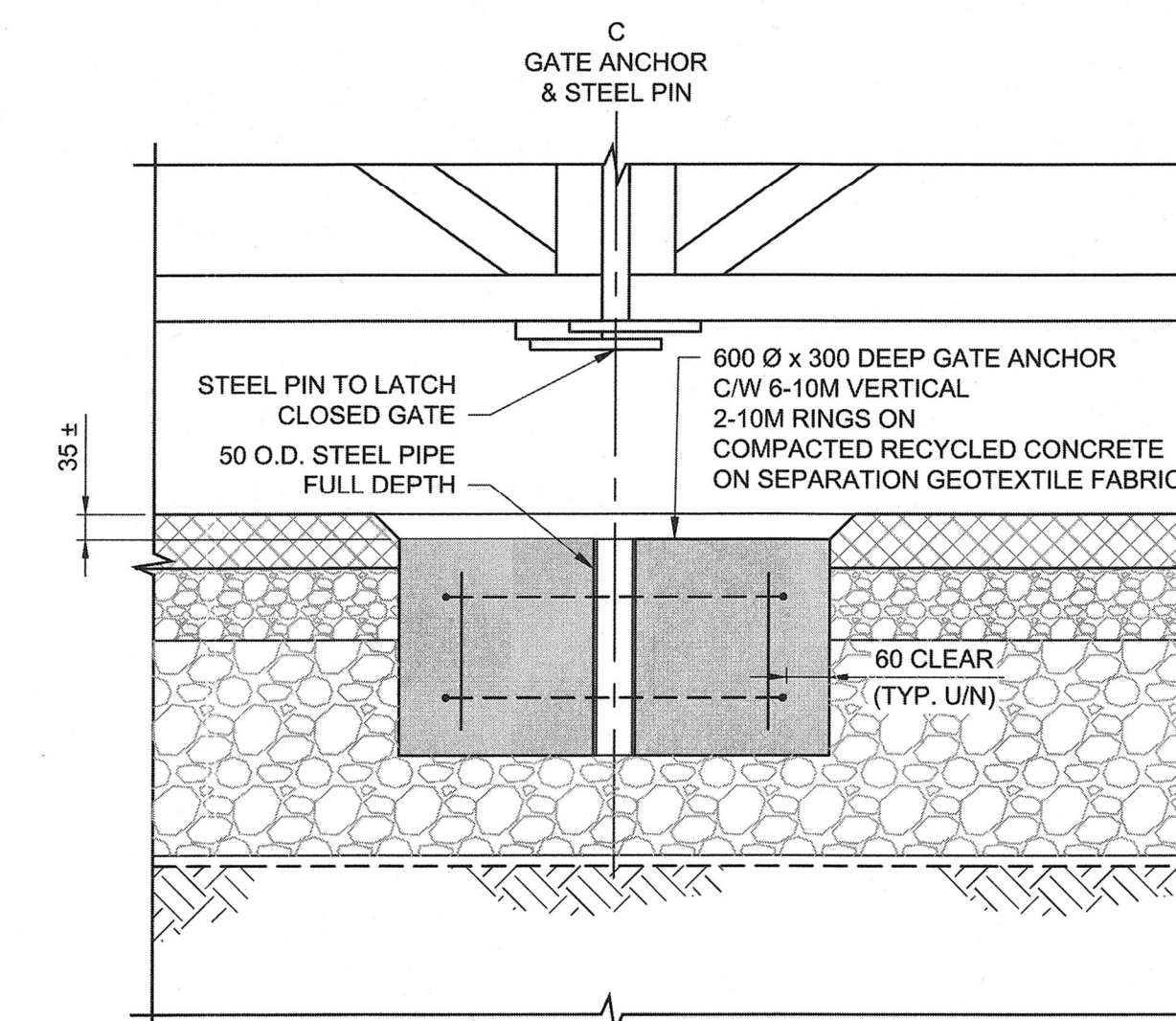


VEHICLE ACCESS GATE ELEVATION
1:40

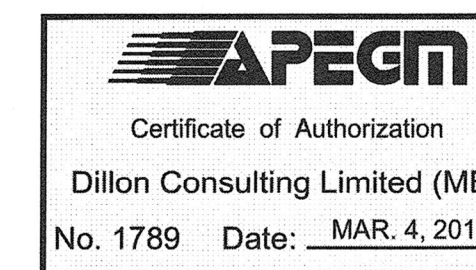
NOTE:
GATE MEMBERS AND FITTINGS
GALVANIZED IN ACCORDANCE
WITH CW 3550



4 DETAIL
1:10



5 DETAIL
1:10



METRIC

WHOLE NUMBERS INDICATE MILLIMETRES
DECIMALIZED NUMBERS INDICATE METRES

150 WM	WATERMAIN	150 WM	MTS	M.T.S.	MTS	150 mm W.M.	WATERMAIN	150 mm W.M.
+	HYDRANT	+	MTS	CONCRETE	MTS	+	HYDRANT	+
+	VALVE	+	MTS	ASPHALT	MTS	+	VALVE	+
+	LAND DRAINAGE SEWER	+	MTS	PLANING	MTS	+	LAND DRAINAGE SEWER	+
+	WASTE WATER SEWER	+	MTS	SIDEWALK	MTS	+	WASTE WATER SEWER	+
○	MANHOLE	○	MTS	PAVING STONES	MTS	○	MANHOLE	○
□	CATCH BASIN	□	MTS	PROPERTY LINE	MTS	□	CATCH BASIN	□
+	TEST HOLES	+	MTS	SURVEY BAR	MTS	+	TEST HOLES	+
+	JUNCTIONS	+	MTS	CURB RAMP	MTS	+	JUNCTIONS	+
+	CULVERT	+	MTS	DITCH	MTS	+	CULVERT	+
+	GAS	+	MTS	SWALE	MTS	+	GAS	+
+	EXISTING	+	MTS	LEGEND-PLAN	MTS	+	EXISTING	+
+	LEGEND-PLAN	+	MTS	PROPOSED	MTS	+	LEGEND-PROFILE	+
+	PROPOSED	+	MTS	EXISTING	MTS	+	PROPOSED	+

UNDERGROUND STRUCTURES	B.M. ELEV.	DESIGNED BY	MRD
DATE		DRAWN BY	PMW
		CHECKED BY	DBW
		APPROVED BY	ARR
		HOR. SCALE	AS NOTED
		RELEASED FOR CONSTRUCTION	
		DATE	

NO.	REVISIONS	DATE	BY
1	ISSUED FOR TENDER	16/03/04	ARR

ENGINEERED BY MANITOBA
W. P. NAIRN
Member
34277
March 2, 2016
CONSULTANT PROJECT NUMBER
13-8224

THE CITY OF WINNIPEG
WATER AND WASTE DEPARTMENT
4R WINNIPEG DEPOT
PACIFIC AVENUE
STANDARD POND AND FENCING DETAIL
CITY DRAWING NUMBER
1-0851A-C0006-001
SHEET 7 OF 43
CONSULTANT DRAWING NUMBER
C-6