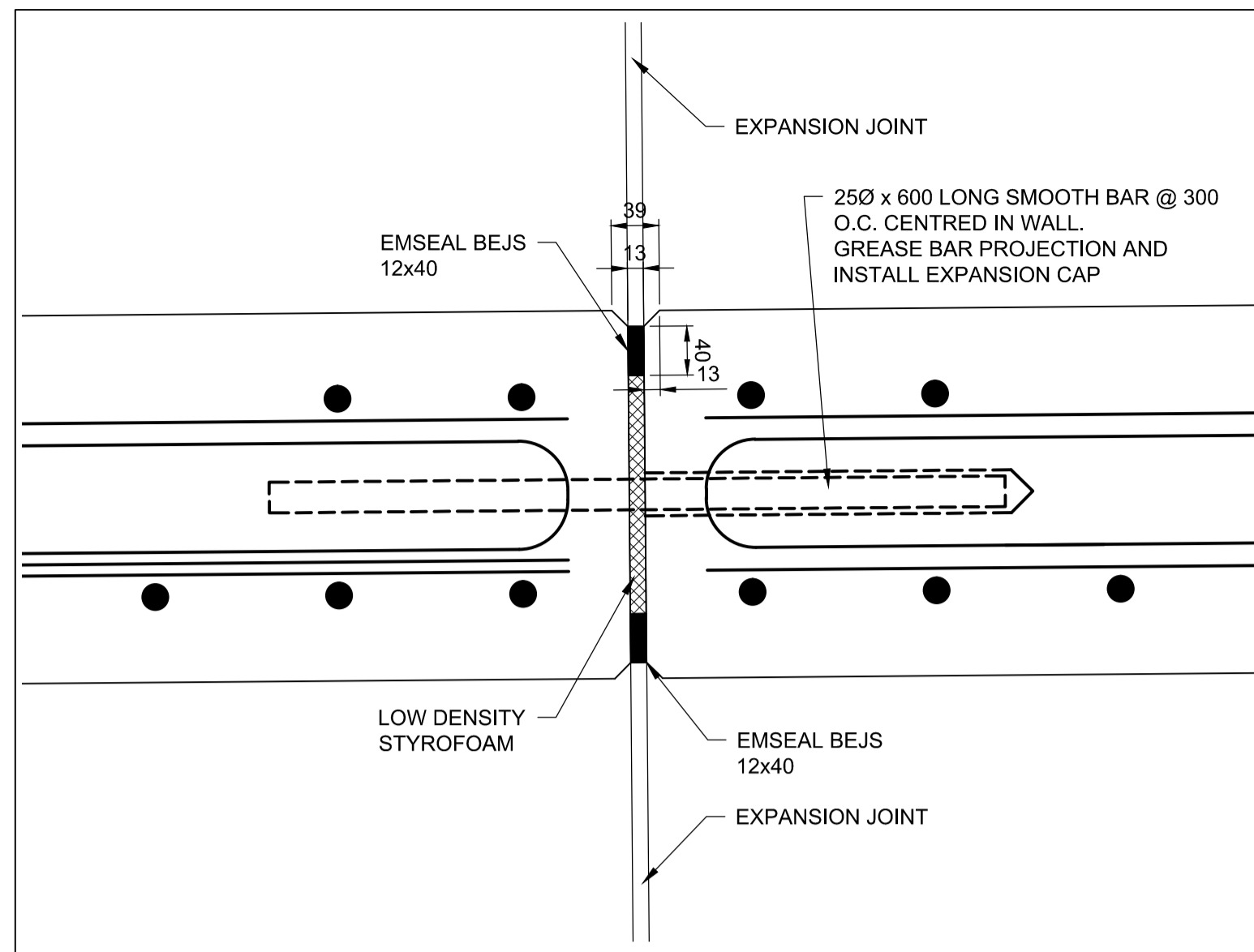
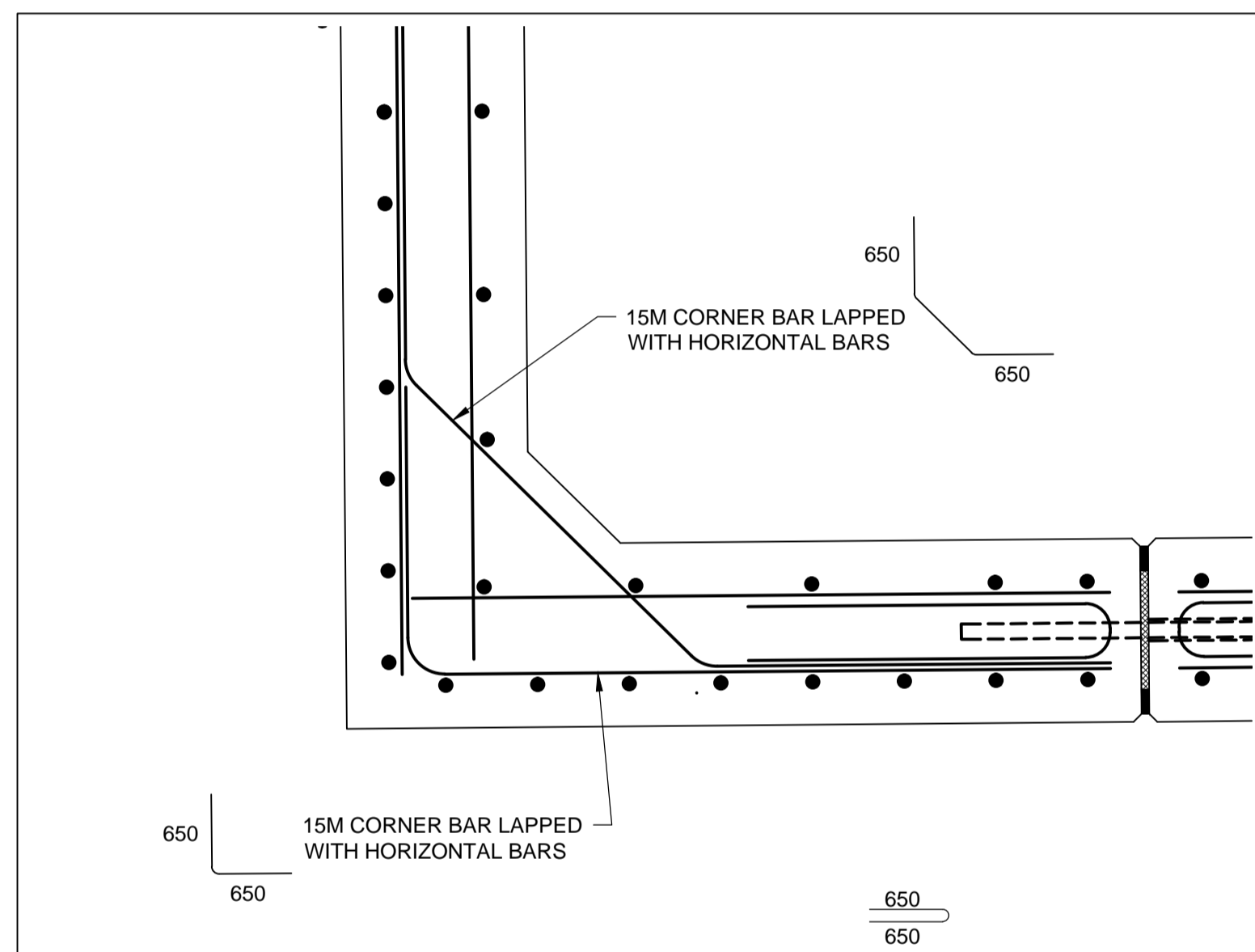


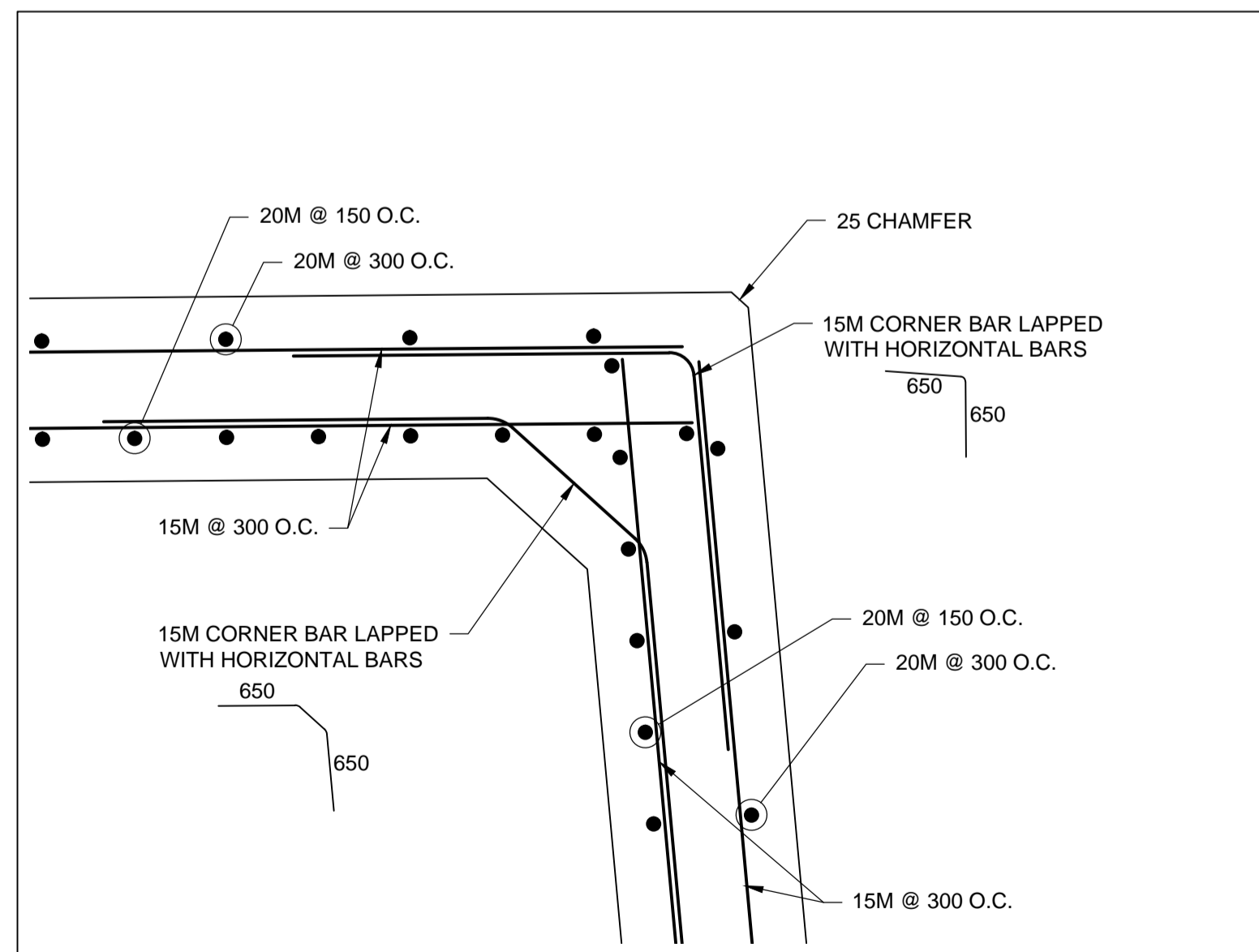
1 PLAN DETAIL  
S3 1:10



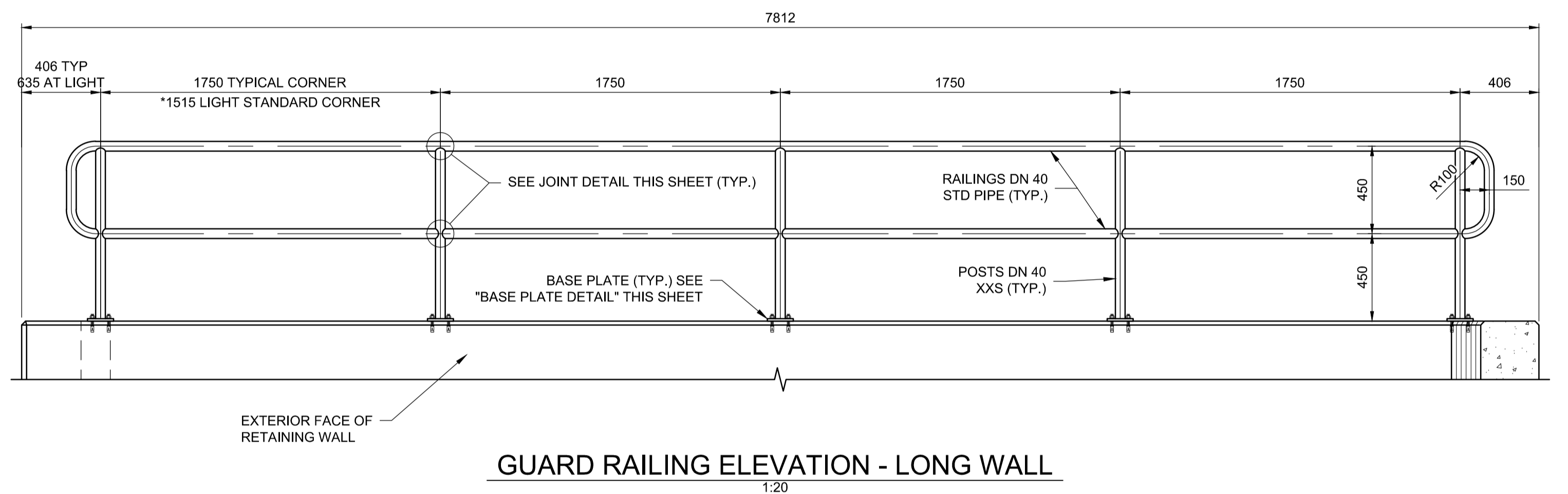
4 EXPANSION JOINT DETAIL  
S5 1:5



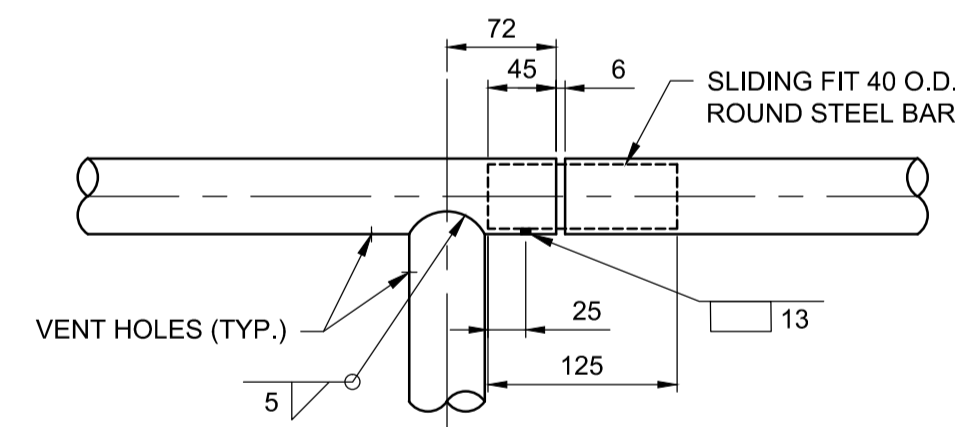
2 PLAN DETAIL  
S3 1:10



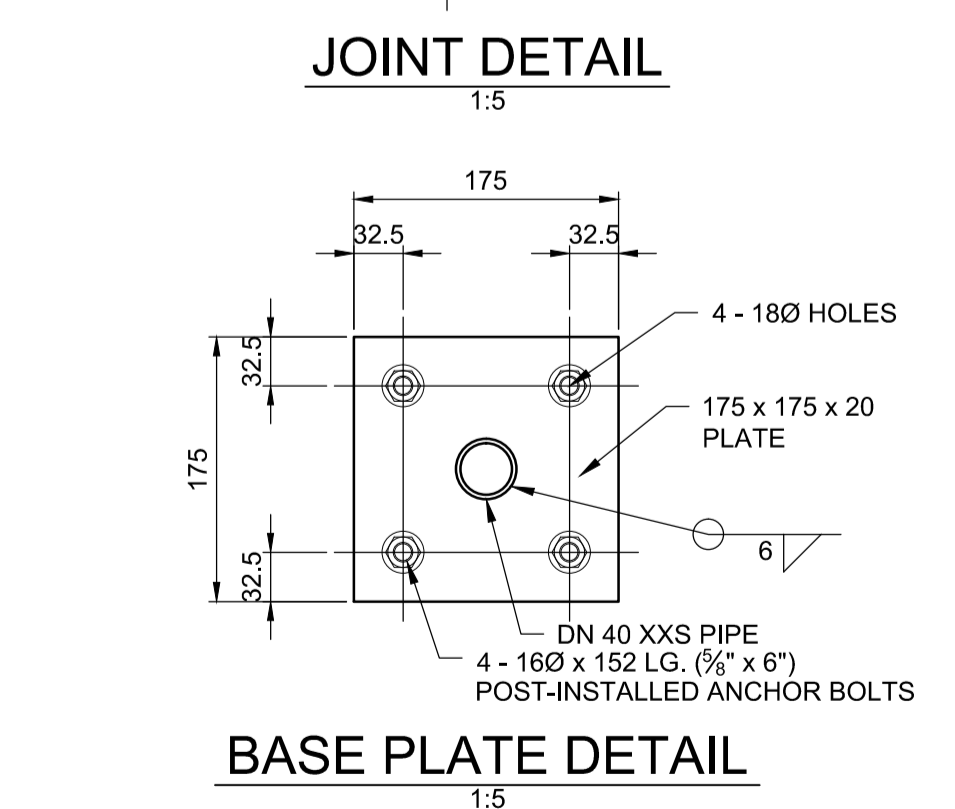
3 PLAN DETAIL  
S3 1:10



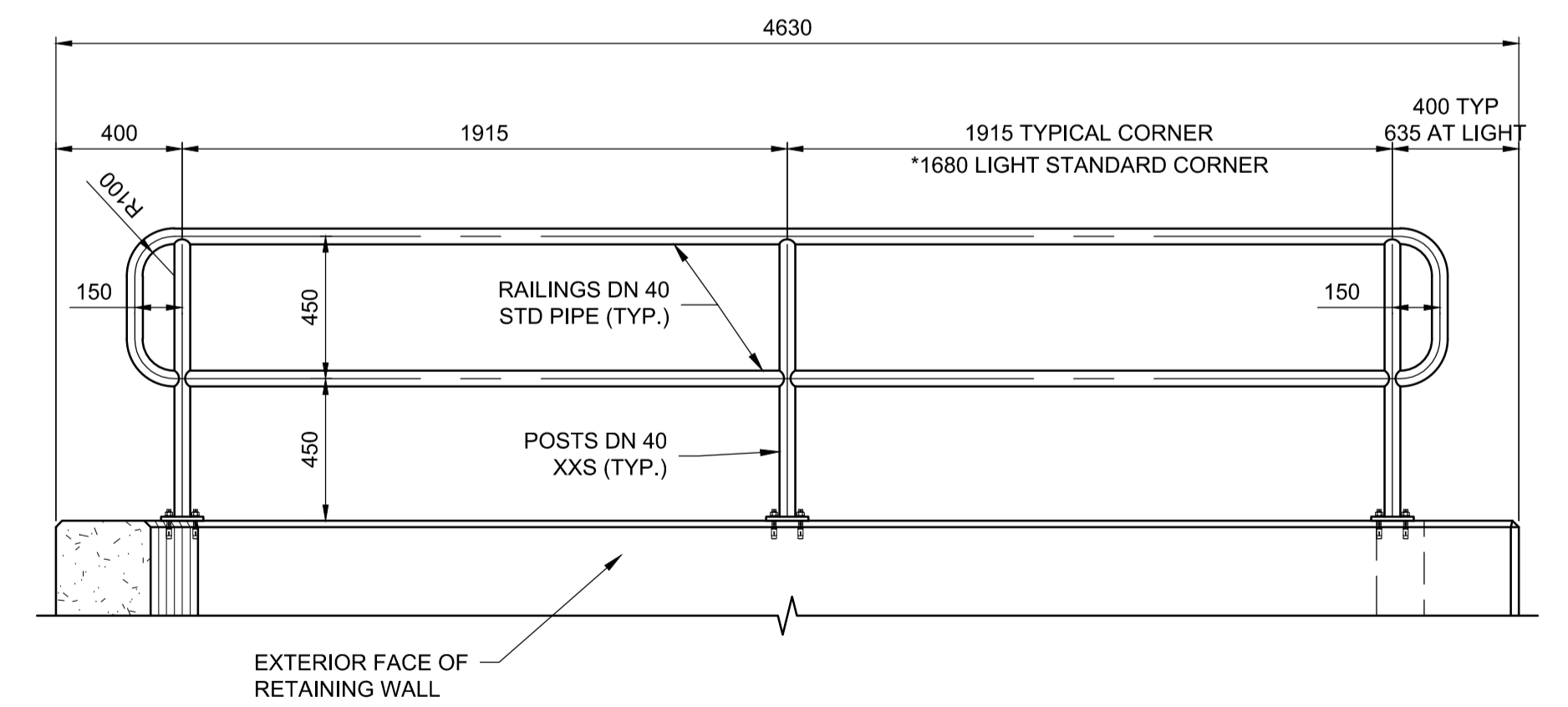
GUARD RAILING ELEVATION - LONG WALL  
1:20



JOINT DETAIL  
1:5



BASE PLATE DETAIL  
1:5



GUARD RAILING ELEVATION - SHORT WALL METRIC  
1:20

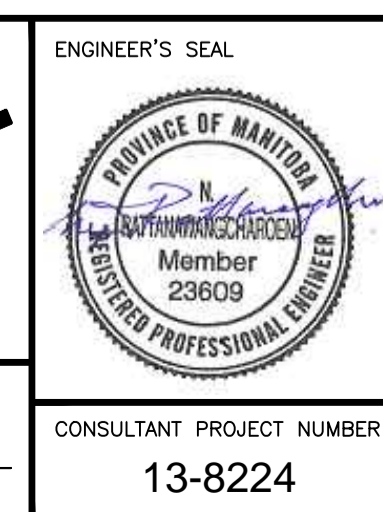
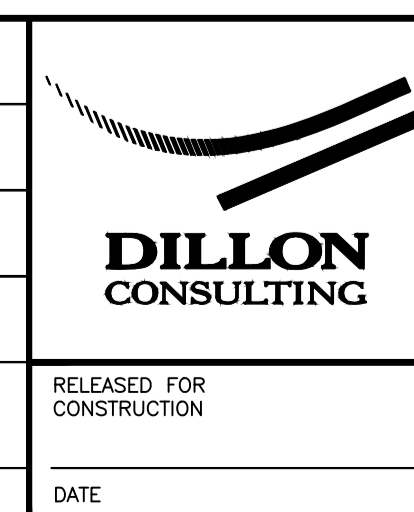
NOTE:  
FOR DIMENSIONS INDICATED, VERIFY GAP BETWEEN  
LIGHT STANDARDS AND RAILING MAX 100mm.

WHOLE NUMBERS INDICATE MILLIMETRES  
DECIMALIZED NUMBERS INDICATE METRES

C:\projects\winipeg\working\_directory\active\4046\138224-09-STRUCT-CORNER-PACIFIC.dwg



B.M. ELEV.	DESIGNED BY	WH
	DRAWN BY	PDR
	CHECKED BY	NR
	APPROVED BY	ARR
	HOR. SCALE	AS NOTED
	VERTICAL	
1 ISSUED FOR TENDER	16/03/04	ARR
NO. REVISIONS	DATE	BY



**THE CITY OF WINNIPEG**  
PUBLIC WORKS DEPARTMENT

4R WINNIPEG DEPOT  
PACIFIC AVENUE

**RETAINING WALL PLAN DETAILS,  
RAILING ELEVATIONS AND DETAILS**

CITY DRAWING NUMBER  
1-0851A-S0004-001

SHEET 12 OF 43

CONSULTANT DRAWING NUMBER  
S-4

CONSULTANT PROJECT NUMBER  
13-8224