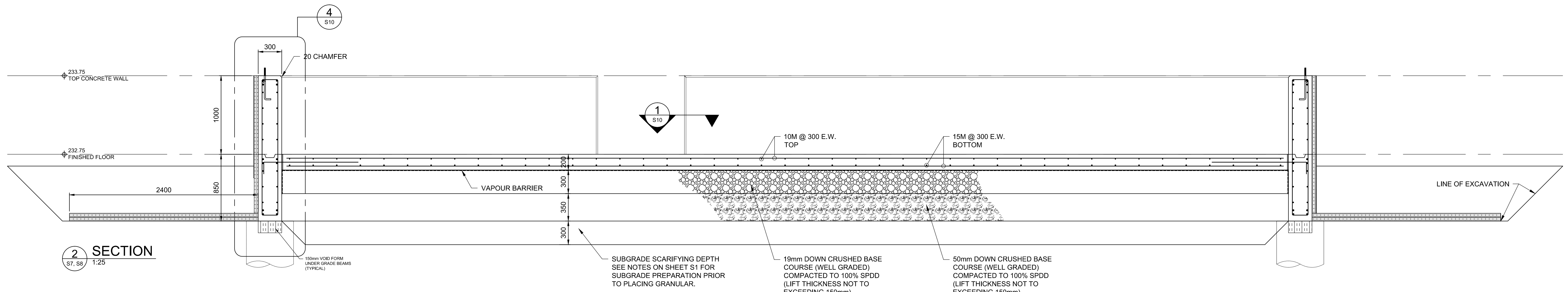
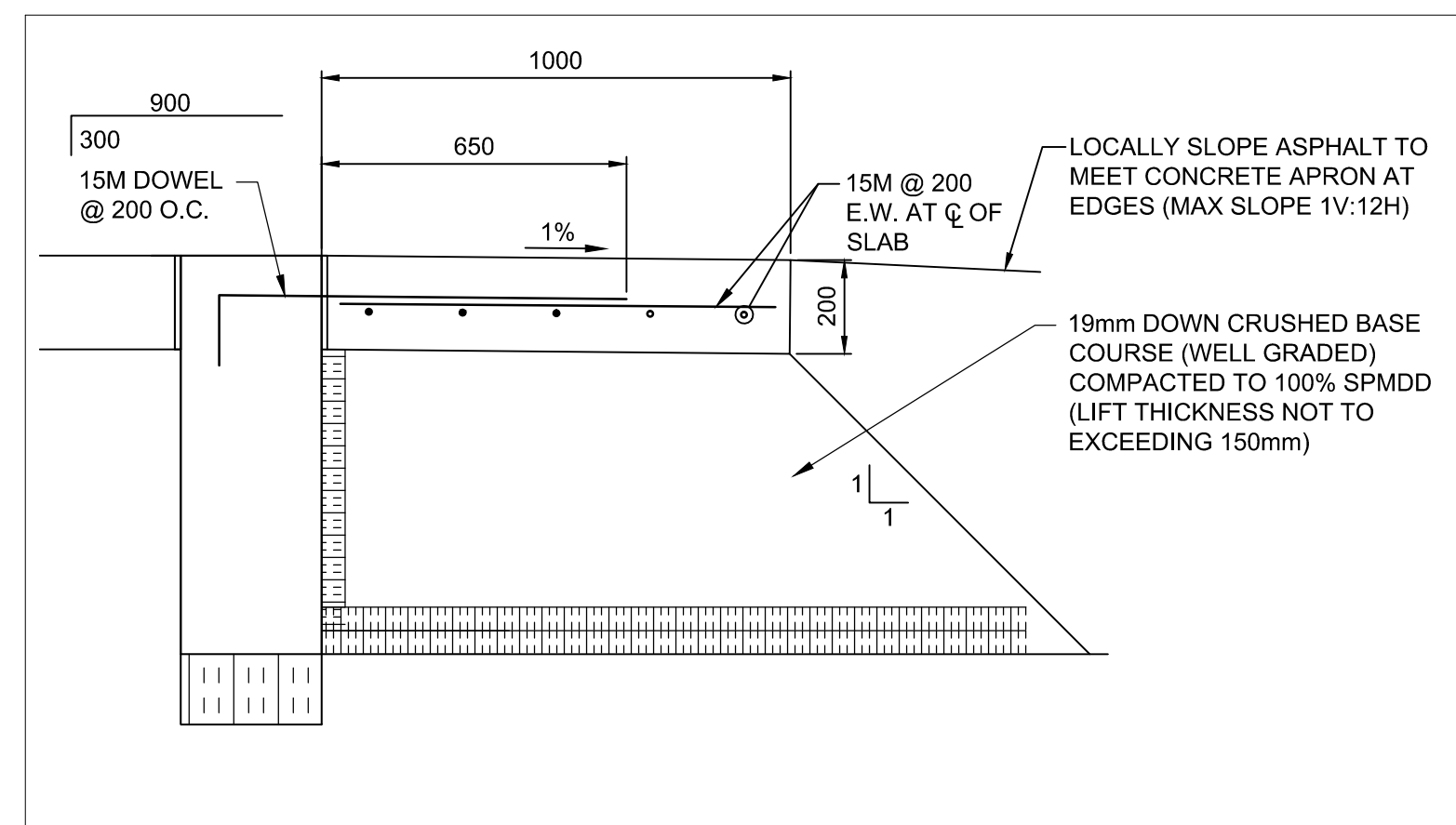


1 SECTION  
S7, S8 1:25



2 SECTION  
S7, S8 1:25



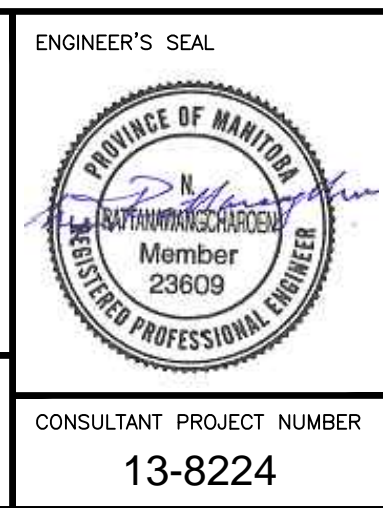
3 SECTION  
S8 1:15

METRIC

WHOLE NUMBERS INDICATE MILLIMETRES  
DECIMALIZED NUMBERS INDICATE METRES



B.M. ELEV.	DESIGNED BY	WH
	DRAWN BY	PDR
	CHECKED BY	NR
	APPROVED BY	ARR
	HOR. SCALE	AS NOTED
	VERTICAL	
1 ISSUED FOR TENDER	16/03/04	ARR
NO. REVISIONS	DATE	BY



**THE CITY OF WINNIPEG**  
PUBLIC WORKS DEPARTMENT

4R WINNIPEG DEPOT  
PACIFIC AVENUE

HHW EWASTE BUILDING  
SECTIONS

CITY DRAWING NUMBER  
1-0851A-S0009-001

SHEET 17 OF 43

CONSULTANT DRAWING NUMBER  
S-9

CONSULTANT PROJECT NUMBER  
13-8224

C:\projects\win\working\_directory\active\40aks\0024576A\138224-09-STRUCT-COIN-PACIFIC.dwg