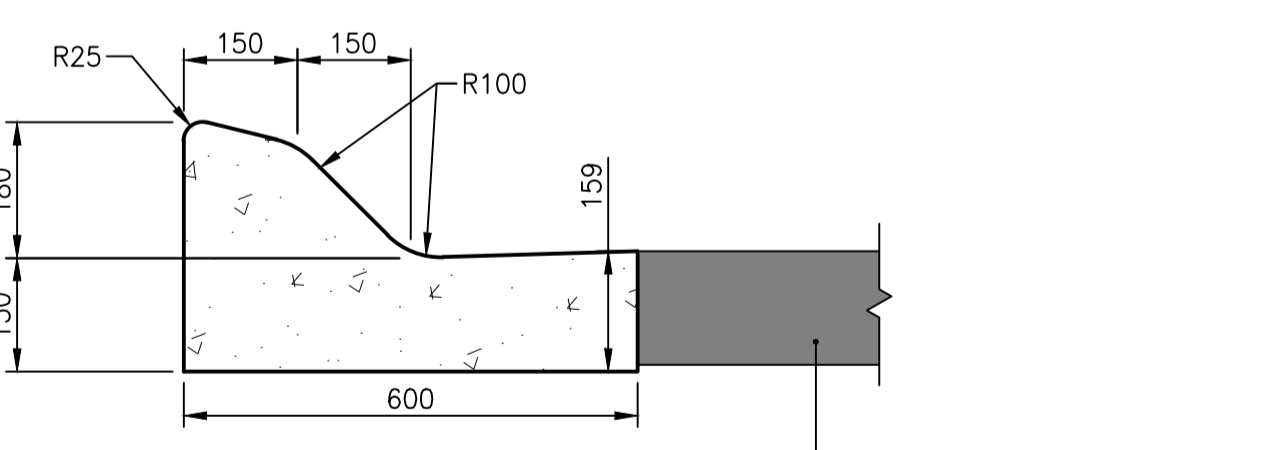
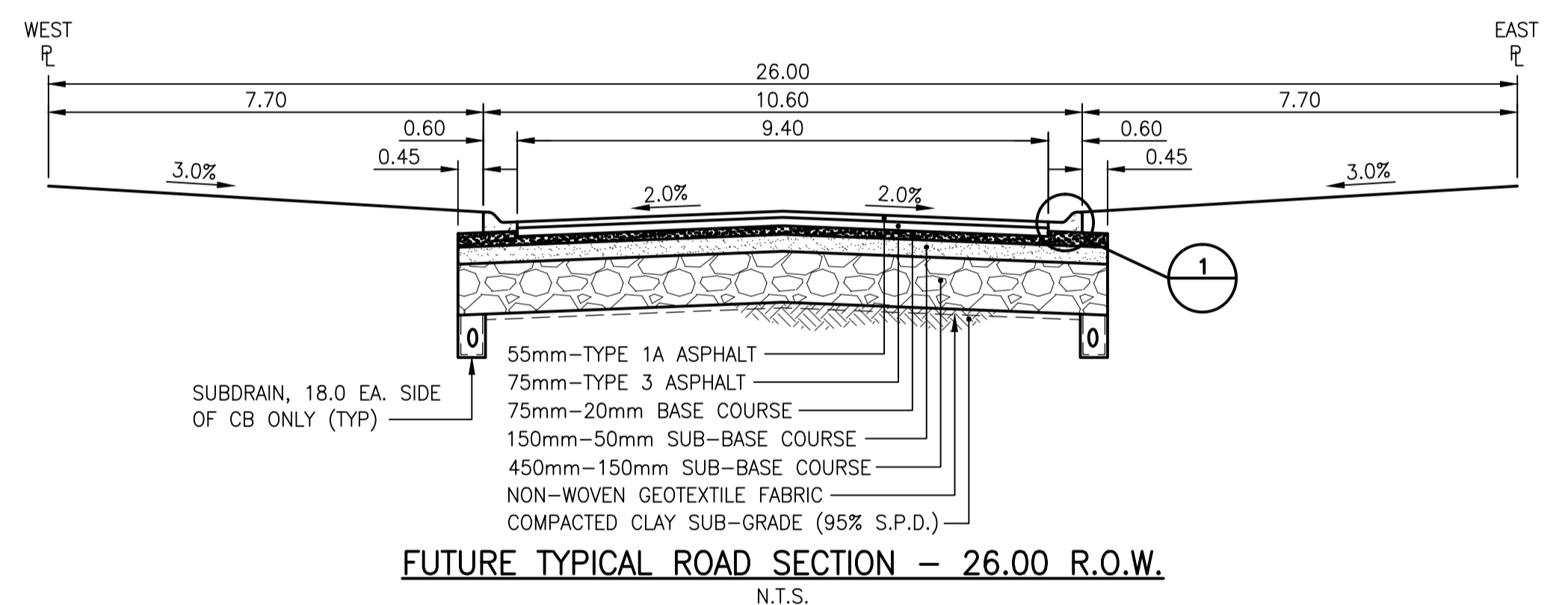
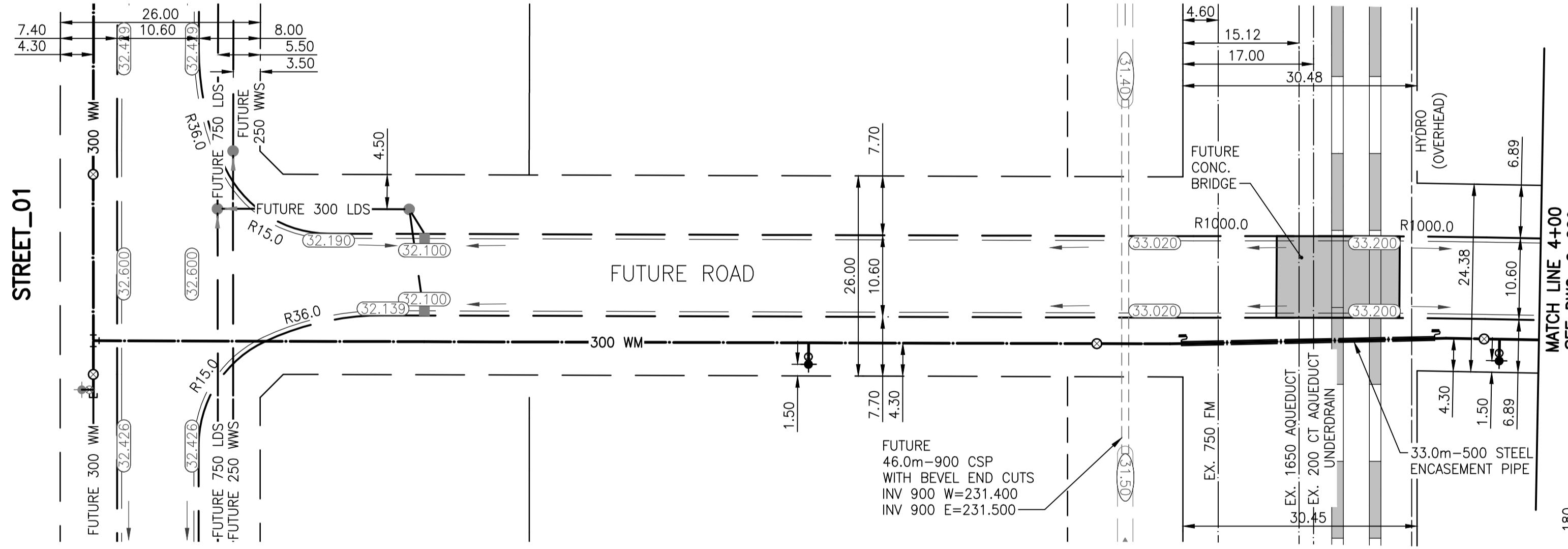
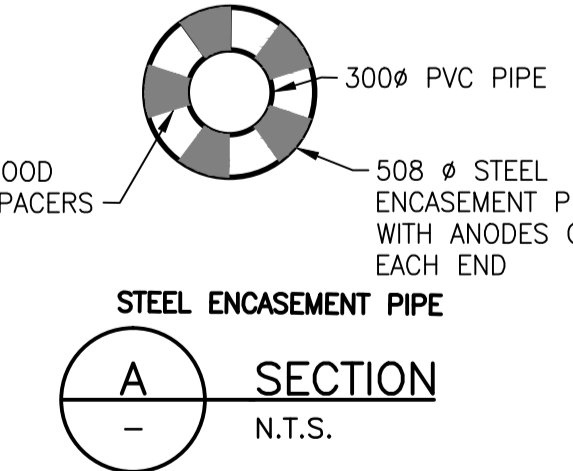


RAY MARIUS ROAD



- NOTES:**
1. ALL INTERSECTION RADIUS ARE 7.50m AND ALL LANE RADIUS ARE 4.50m UNLESS NOTED OTHERWISE.
 2. CHAINAGES SHOWN ARE ALONG CENTERLINE OF ROAD.
 3. SUBDRAINS 18.00m EACH SIDE OF CATCH BASINS (SD-245).
 4. ALL PIPE UNDER EXISTING AND FUTURE PAVEMENT ARE INSTALLED BY TRENCHLESS METHODS.
 5. ALL LONG ASSEMBLY HYDRANTS (SD-006) ALL SHORT ASSEMBLY HYDRANTS (SD-007).
 6. MAIN LINE WATER VALVES ON STREET_01 AND RAY MARIUS ROAD ARE TO BE SET WITH TOPS AT THE HIGHER OF THE EXISTING GROUND ELEVATION OR FUTURE BOULEVARD ELEVATION.
 7. INSTALL VERTICAL BENDS AND REINFORCE IN ACCORDANCE WITH CW 2110 R11 AND SD-005.

WATER CARRIER PIPE INFO FOR C.P.R. CROSSING
 DIAMETER - 300mm
 MATERIAL - PVC
 WALL THICKNESS = 18.6mm
 PIPE CLASS - AWWA C900 DR 18
 SURGE PRESSURE = 300 PSI (2.0MPa)
 OPERATING PRESSURE = 60 PSI (0.4 MPa)
 TEST PRESSURE = 150 PSI (1.0MPa)
 INSTALLATION METHOD - CORED ENCASEMENT PIPE INFO
 OUTSIDE DIAMETER - 508mm
 MATERIAL - BLACK STEEL ASTM A35
 WALL THICKNESS - 7.1mm
 YIELD STRENGTH - 241 MPa



WARNING

IF POWER EQUIPMENT OR EXPLOSIVES ARE TO BE USED FOR EXCAVATION ON THIS PROJECT THE CONTRACTOR MUST:
 1) NOTIFY THE GAS COMPANY OF THE PROPOSED LOCATION OF EXCAVATION.
 2) TAKE PRECAUTION TO AVOID DAMAGE TO GAS COMPANY INSTALLATIONS.
 SEE PROVINCIAL REGULATION 140/92 FOR DETAILS

METRIC

WHOLE NUMBERS INDICATE MILLIMETRES
 DECIMALIZED NUMBERS INDICATE METRES

150 WM		150 WWS		HYDRO		150 WM		WATERMAIN		150 WWS	
+	HYDRANT	+	HYDRANT	---	M.T.S.	---	HYDRANT VALVE	+	HYDRANT VALVE	+	HYDRANT VALVE
○	VALVE	○	VALVE	---	CONCRETE	---	LAND DRAINAGE SEWER	○	LAND DRAINAGE SEWER	○	LAND DRAINAGE SEWER
---	300 LDS	---	300 LDS	---	ASPHALT	---	WASTE WATER SEWER	---	WASTE WATER SEWER	---	WASTE WATER SEWER
---	250 WWS	---	250 WWS	---	SIDEWALK	---	PROPERTY LINE	---	PROPERTY LINE	---	PROPERTY LINE
●	MANHOLE	●	MANHOLE	---	SURVEY BAR	---	NORTH OR WEST GUTTER	---	NORTH OR WEST GUTTER	---	NORTH OR WEST GUTTER
■	CATCH BASIN	■	CATCH BASIN	---	DITCH	---	SOUTH OR EAST GUTTER	---	SOUTH OR EAST GUTTER	---	SOUTH OR EAST GUTTER
▼	CURB INLET	▼	CURB INLET	---	ROAD ELEVATION	---	NORTH OR WEST DITCH	---	NORTH OR WEST DITCH	---	NORTH OR WEST DITCH
+	JUNCTIONS	+	JUNCTIONS	---	LEGEND-PLAN	---	SOUTH OR EAST DITCH	---	SOUTH OR EAST DITCH	---	SOUTH OR EAST DITCH
---	CULVERT	---	CULVERT	---	PROPOSED	---	LEGEND-PROFILE	---	LEGEND-PROFILE	---	LEGEND-PROFILE
---	GAS	---	GAS	---	EXISTING	---	PROPOSED	---	PROPOSED	---	PROPOSED
---	EXISTING	---	EXISTING	---	PROPOSED	---	EXISTING	---	EXISTING	---	EXISTING

LOCATION APPROVED UNDERGROUND STRUCTURES

B.M. 32-005
 ELEV. 231.677

SUPV. U/G STRUCTURES COMMITTEE DATE

NOTE:
 LOCATION OF UNDERGROUND STRUCTURES AS SHOWN ARE BASED ON THE BEST INFORMATION AVAILABLE BUT NO GUARANTEE IS GIVEN THAT ALL EXISTING UTILITIES ARE SHOWN OR THAT THE GIVEN LOCATIONS ARE EXACT. CONFIRMATION OF EXISTENCE AND EXACT LOCATION OF ALL SERVICES MUST BE OBTAINED FROM THE INDIVIDUAL UTILITIES BEFORE PROCEEDING WITH CONSTRUCTION.

NO.	REVISIONS	YY.MM.DD	BY	DATE	2015 .08 .10
2	ISSUED FOR CONSTRUCTION	16.01.04	P.J.S.		
1	SUBMITTED FOR CITY REVIEW	15.11.19	P.J.S.		

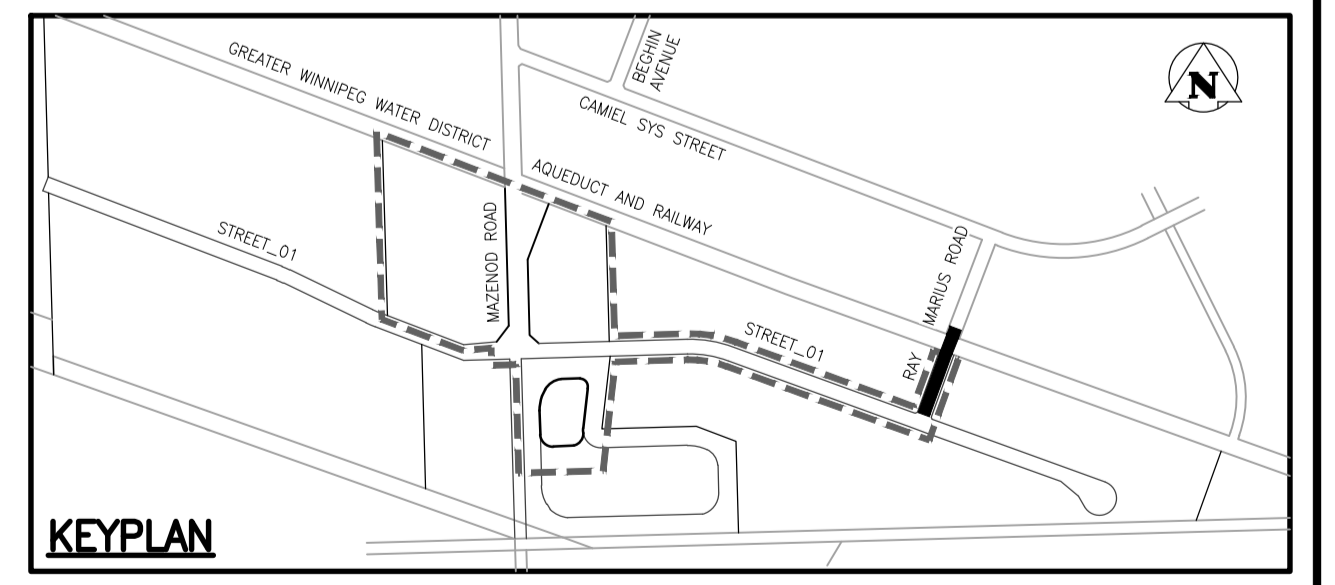
Stantec
 500 - 311 Portage Avenue, Winnipeg MB Canada R3B 2B9
 Tel. 204.489.5900 Fax. 204.453.9012 www.stantec.com

DESIGNED BY: P.J.S. CHECKED BY: D.P.M.
 DRAWN BY: L.D. APPROVED BY: P.J.S.

HOR. SCALE: 1:500
 VERTICAL: 1:50

RELEASED FOR CONSTRUCTION: DATE

CONSULTANT DRAWING NO. C-208



THE CITY OF WINNIPEG

Winnipeg

ST. BONIFACE INDUSTRIAL PARK - PHASE 2 - STAGE 1 13 OF 15

RAY MARIUS ROAD
 STREET_01 TO
 175m N OF STREET_01

SHEET OF 13
 CAD FILE DRAWING NUMBER 09351C-208-846.DWG
 CITY DRAWING NUMBER

X:\1168\active\11680935\10300_drawing\0302_sheet_files\02_civil\phase_2-stage_1\09351c-208-846.dwg
 2015/07/11 1:58 pm by: rjones_jordan