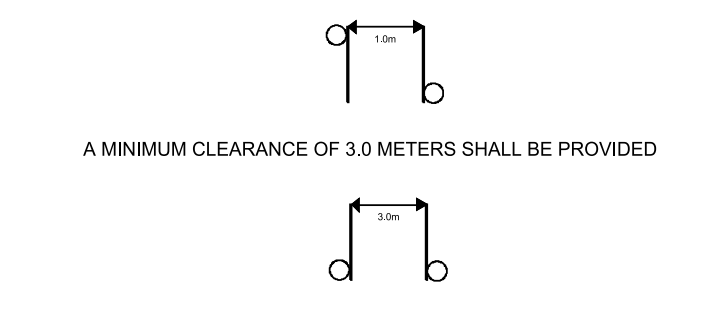


NOTES :

CONSTRUCTION STANDARDS  
TO BE CONSTRUCTED IN ACCORDANCE WITH MANITOBA HYDRO DISTRIBUTION AND SUBTRANSMISSION STANDARDS. LATEST REVISION NO MAJOR CHANGE SHALL BE MADE WITHOUT APPROVAL OF THE DESIGN ENGINEER OR DELEGATE.

CITY OF WINNIPEG REQUIREMENTS:

WATER AND WASTE DEPARTMENT APPROVAL SUBJECT TO THE FOLLOWING NOTES:  
A MINIMUM CLEARANCE OF 100 MILLIMETERS SHALL BE PROVIDED BETWEEN THE UNDERSIDE OF ANY EXISTING WATERMAIN OR SEWERMAIN PIPE AND THE TOP OF THE PROPOSED WORKS.  
OR  
A MINIMUM CLEARANCE OF 600 MILLIMETERS SHALL BE PROVIDED BETWEEN THE UNDERSIDE OF THE PROPOSED WORKS AND THE TOP OF ANY EXISTING WATERMAIN OR SEWERMAIN PIPE.  
A MINIMUM LATERAL CLEARANCE OF 1.0 METER SHALL BE PROVIDED BETWEEN THE NEAREST EDGE OF THE PROPOSED WORKS AND THE NEAREST EDGE OF ANY EXISTING WATERMAIN, WATERMAIN VALVE, HYDRANT, SEWERMAIN OR SEWER MANHOLE.



CONTACT "CLICK BEFORE YOU DIG MANITOBA" AT [ClickBeforeYouDigMB.com](http://ClickBeforeYouDigMB.com)  
THREE FULL WORKING DAYS  
PRIOR TO CONSTRUCTION FOR LOCATION OF EXISTING WATER, WASTEWATER AND LAND DRAINAGE UTILITIES

PROPOSED SEQUENCE OF CONSTRUCTION:

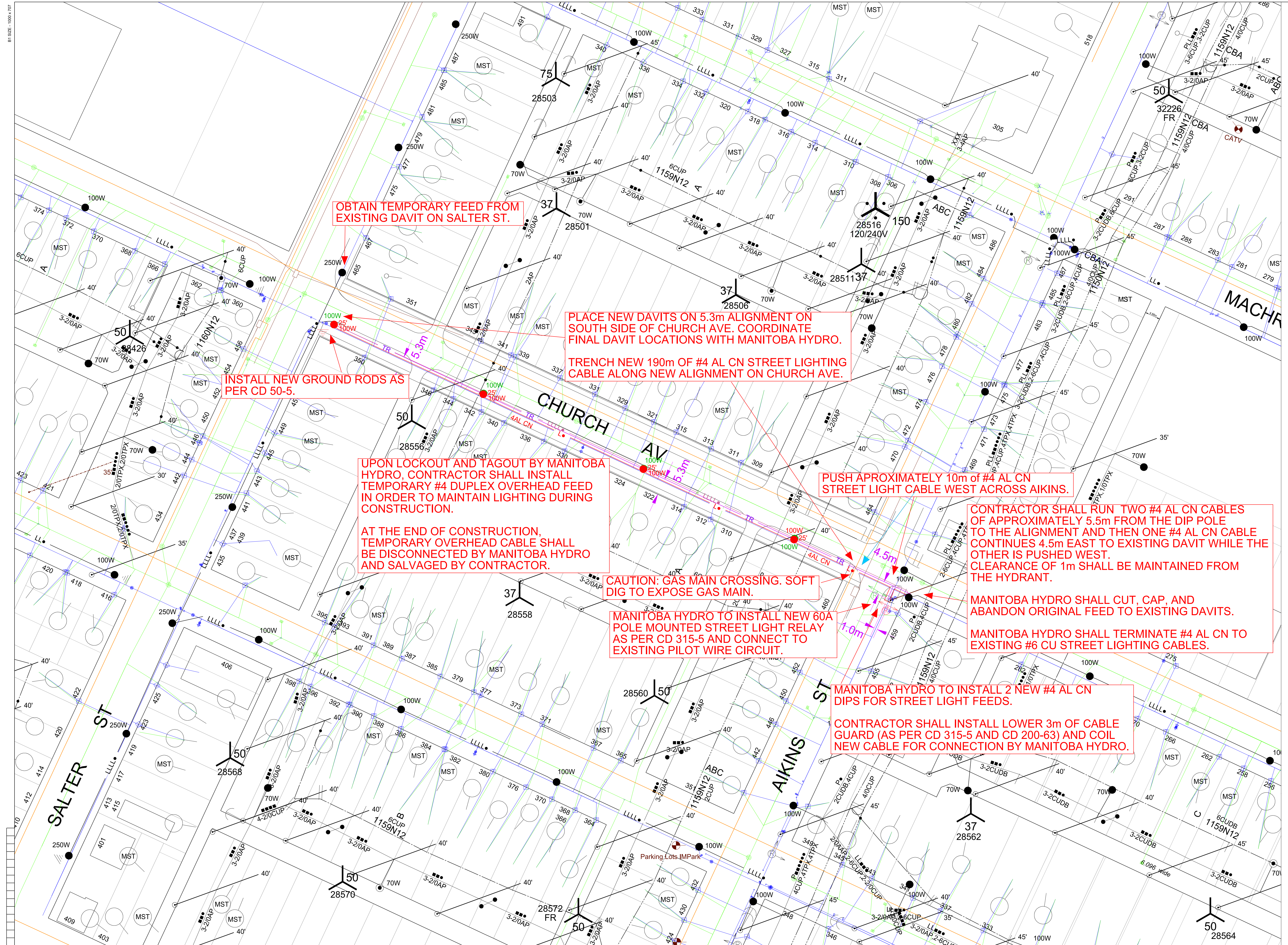
- M STAFF SHALL DISCONNECT AND ISOLATE THE EXISTING STREET LIGHT POLE OR POLES TO BE REPLACED.
- CONTRACTOR TO INSTALL TEMPORARY OH FEEDS BETWEEN EXISTING POLES.
- M STAFF TO INSTALL FINAL DROP FROM EXISTING POLE TO SOURCE AND ENERGISE.
- CONTRACTOR TO INSTALL NEW POLES, UNDERGROUND STREET LIGHT CABLE BETWEEN POLES, GROUND RODS, RELAYS, AND BOTTOM SECTION OF CABLE GUARD AT DIP IF APPLICABLE AND TERMINATE IN HAND HOLE.
- M STAFF TO DISCONNECT AND ISOLATE TEMPORARY OH FEED TO EXISTING POLES, AS WELL AS COMMISSION AND ENERGISE NEW POLES FROM NEW UNDERGROUND SOURCE.
- CONTRACTOR TO REMOVE OH FEEDS AND REMOVE EXISTING POLES.

CONTACT	NAME	PHONE
DESIGN	SLAVA REVZIN	284-8100 ext. 1239
DISTRICT ENG TECH	MARK SCHRAM	360-7495
ENERGY SERVICES ADVISOR	TERRY MCCARTHY	360-4127
LIG CONSTRUCTION	JAYSON WITT	803-1165
OH CONSTRUCTION	WAYNE IRELAND	360-5786
CUSTOMER CONTRACT	RICK PHILLIPS	360-7018
CONNECTIONS	ALVARO SILVA	360-6214
TEMP. STRINGING	TERRY TABAK	360-7521

LEGEND	DESCRIPTION
MAGENTA	PROPOSED TRENCH
RED	PROPOSED OBJECT
PINK	OBJECT TO BE ABANDONED
GREEN	OBJECT TO BE SALVAGED
BLACK	EXISTING OBJECT
LA ANNOTATION	1 - #4 AL CN STREET LIGHTING CABLE
LL ANNOTATION	1 - 1/0 TRIPLEX STREET LIGHTING CABLE

COW TENDER  
2015-R-06

PRELIMINARY NOT TO BE  
USED FOR  
CONSTRUCTION



OBTAIN TEMPORARY FEED FROM EXISTING DAVIT ON SALTER ST.

PLACE NEW DAVITS ON 5.3m ALIGNMENT ON SOUTH SIDE OF CHURCH AVE. COORDINATE FINAL DAVIT LOCATIONS WITH MANITOBA HYDRO.

TRENCH NEW 190m OF #4 AL CN STREET LIGHTING CABLE ALONG NEW ALIGNMENT ON CHURCH AVE.

INSTALL NEW GROUND RODS AS PER CD 50-5.

UPON LOCKOUT AND TAGOUT BY MANITOBA HYDRO, CONTRACTOR SHALL INSTALL TEMPORARY #4 DUPLEX OVERHEAD FEED IN ORDER TO MAINTAIN LIGHTING DURING CONSTRUCTION.

AT THE END OF CONSTRUCTION, TEMPORARY OVERHEAD CABLE SHALL BE DISCONNECTED BY MANITOBA HYDRO AND SALVAGED BY CONTRACTOR.

CAUTION: GAS MAIN CROSSING. SOFT DIG TO EXPOSE GAS MAIN.

MANITOBA HYDRO TO INSTALL NEW 60A POLE MOUNTED STREET LIGHT RELAY AS PER CD 315-5 AND CONNECT TO EXISTING PILOT WIRE CIRCUIT.

PUSH APPROXIMATELY 10m OF #4 AL CN STREET LIGHT CABLE WEST ACROSS AIKINS.

CONTRACTOR SHALL RUN TWO #4 AL CN CABLES OF APPROXIMATELY 5.5m FROM THE DIP POLE TO THE ALIGNMENT AND THEN ONE #4 AL CN CABLE CONTINUES 4.5m EAST TO EXISTING DAVIT WHILE THE OTHER IS PUSHED WEST. CLEARANCE OF 1m SHALL BE MAINTAINED FROM THE HYDRANT.

MANITOBA HYDRO SHALL CUT, CAP, AND ABANDON ORIGINAL FEED TO EXISTING DAVITS.

MANITOBA HYDRO SHALL TERMINATE #4 AL CN TO EXISTING #6 CU STREET LIGHTING CABLES.

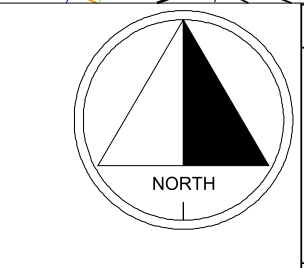
MANITOBA HYDRO TO INSTALL 2 NEW #4 AL CN DIPS FOR STREET LIGHT FEEDS.

CONTRACTOR SHALL INSTALL LOWER 3m OF CABLE GUARD (AS PER CD 315-5 AND CD 200-63) AND COIL NEW CABLE FOR CONNECTION BY MANITOBA HYDRO.

NOTE: INDICATION OF ALL UNDERGROUND UTILITIES IS FOR ILLUSTRATIVE PURPOSES ONLY. CONTACT THE APPLICABLE UTILITIES FOR SPECIFIC PLANT LOCATIONS AND CLEARANCES.

INFORMATION PERTAINING TO THE SIZE AND LOCATION OF MANITOBA HYDRO FACILITIES AND INSTALLATIONS IS ILLUSTRATIVE AND SHOULD NOT BE RELIED ON FOR THE PURPOSES OF ANY ACTIVITY BEING CONDUCTED AT OR NEAR THE IDENTIFIED HYDRO INSTALLATIONS. ALL LOCATIONS AND EQUIPMENT MUST BE VERIFIED BY APPROPRIATE HYDRO DISTRICT OFFICES PRIOR TO ANY PHYSICAL ACTIVITY UNDERTAKEN AT OR NEAR HYDRO INSTALLATIONS. A CURRENT WORK CLEARANCE REQUEST FORM CAN BE OBTAINED FROM THE DISTRICT OFFICE AND MUST BE ON SITE PRIOR TO THE COMMENCEMENT OF ANY EXCAVATIONS.

CALL BEFORE YOU DIG!!



DATE	REVISIONS	BY	CHKD.	APP.

DRAWING NUMBER	REFERENCE DRAWINGS

DRAWN	CHECK	SCALE	DATE
SR		1:500	2015/01/30

AREA NUMBER	MANITOBA HYDRO DISTRIBUTION PLANNING & DESIGN
5203	WBS # P:24422 NETWORK # 4302924
STATION NUMBER	1159
DISTRICT:	Keewatin
FEEDER NUMBER	N12
STREET LIGHTING PROJECT -	CHURCH AVE. FROM AIKINS ST. TO SALTER ST.
SYSTEM VOLTAGE	2.4/16 kV
CONTRACTOR TO REPLACE EXISTING UNDERGROUND STREET LIGHTING PLANT.	

1-04707-DD-50000-0230