

- GENERAL NOTES:**
- ADJUST MH, CB RIMS, AND VALVES TO NEW GRADES.
  - CONTRACTORS TO TAKE PRECAUTIONARY STEPS TO PROTECT EXISTING TREES WITHIN THE LIMITS OF CONSTRUCTION FROM DAMAGE FROM CONSTRUCTION ACTIVITIES AS OUTLINED IN THE SPECIFICATIONS.
  - MODIFIED BARRIER CURB TO BE USED AT ALL INTERSECTION RADII, BACK LANE RADII, AND BULL NOSES.
  - CONTRACTOR TO CONFIRM THE LOCATION OF ALL UTILITIES/SERVICES IN THE FIELD PRIOR TO CONSTRUCTION.
  - ADD 200.0mm TO ABBREVIATED ELEVATIONS TO OBTAIN GEODETIC ELEVATIONS.
  - CB OFFSETS ARE DIMENSIONED TO BOC.
  - PAVEMENT REPAIRS SHOWN ARE ONLY A REPRESENTATIVE APPROXIMATION OF THE TENDERED QUANTITIES.
  - SIDEWALKS TO BE RENEWED WITH CONCRETE AS NOTED BY CONTRACT ADMINISTRATOR.
  - LAMP STANDARDS, HYDRO POLES, AND ANCHORS THAT REQUIRE TEMPORARY SUPPORT, REMOVAL OR REPLACEMENT, TO BE DONE SO AT THE EXPENSIVE OF THE CONTRACTOR AS NECESSARY.

EXISTING	LEGEND-PLAN	PROPOSED	EXISTING	LEGEND-PLAN	PROPOSED	EXISTING	LEGEND-PLAN	PROPOSED
○	MANHOLE	●	—	WATER MAIN	—	—	—	EDGE OF CONCRETE
□	CATCH BASIN	■	—	LAND DRAINAGE SEWER	—	—	—	PROPERTY LINE
△	CURB INLET	▽	—	WASTE WATER SEWER	—	—	—	GUTTER
◇	UTILITIES ADJUSTED	△	○	HYDRO	—	—	—	MODIFIED BARRIER CURB
+	PLUG	J	—	M.T.S.	—	—	—	BARRIER CURB
◇	HYDRANT	◆	—	GAS	—	—	—	CURB & GUTTER
⊕	VALVE	⊗	—	SIGNALS	—	—	—	GLASS GRID
⊕	IRON BAR	—	—	LIGHT STANDARD	—	—	—	CONCRETE
230.99	GROUND GRADE	—	—	DETECTABLE WARNING TILE	—	—	—	ASPHALT
(230.99)	PAVEMENT GRADE	(31.00)	—	CURB RAMP	—	—	—	ASPHALT OVERLAY
	LOT GRADE	(31.00)	—	EDGE OF SIDEWALK	—	—	—	ASPHALT JOINT REPAIR

LOCATIONS APPROVED UNDERGROUND STRUCTURES	SIGNED BY:	DATE:
<p>LOCATION OF UNDERGROUND STRUCTURES AS SHOWN ARE BASED ON THE BEST INFORMATION AVAILABLE BUT NO GUARANTEE IS GIVEN THAT ALL EXISTING UTILITIES ARE SHOWN OR THAT THE GIVEN LOCATIONS ARE EXACT CONFIRMATION OF EXISTANCE AND EXACT LOCATION OF ALL SERVICES MUST BE OBTAINED FROM THE INDIVIDUAL UTILITIES BEFORE PROCEEDINGS</p>		

NO.	REVISIONS	DATE	BY
1	ISSUED FOR TENDER	04.03.15	VMM
2	ISSUED TO U/G STRUCTURES FOR REVIEW	03.02.15	BQD

**MMM GROUP**

DESIGNED BY: BQD  
CHECKED BY: VMM

DRAWN BY: KB  
APPROVED BY: VMM

WORK SCALE: 1:250  
VERTICAL: 1:10

DATE: 05-Mar-15

ENGINEER'S SEAL

ORIGINAL SEALED BY: V.M. MAROTI  
P. ENG.  
03/02/15

CONSULTANT ACAD DWG. NO.  
5514132-C1-05

**THE CITY OF WINNIPEG**  
PUBLIC WORKS DEPARTMENT  
ENGINEERING DIVISION

2015 LOCAL STREETS RENEWAL PRG  
ANDREWS STREET - JEFFERSON AVENUE TO HARTFORD AVE  
ASPHALT RECONSTRUCTION  
JEFFERSON AVENUE TO STA 2+50

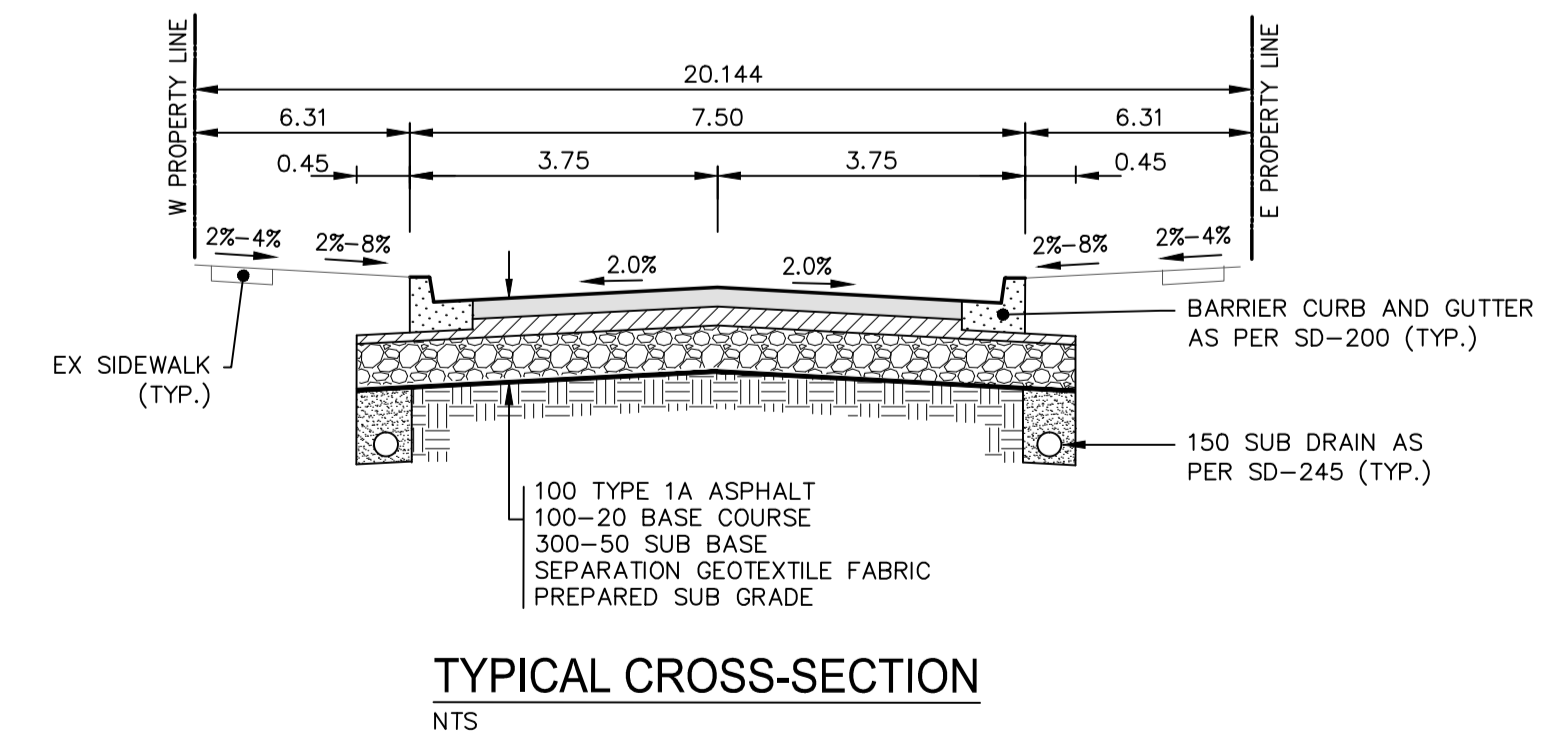
CITY DRAWING NUMBER  
SHEET 5 OF 18

BID NO.  
151-2015

**PRELIMINARY**

**METRIC**  
WHOLE NUMBERS INDICATE MILLIMETRES  
DECIMALIZED NUMBERS INDICATE METRES

**APEGN**  
Certificate of Authorization  
MMM Group Limited  
No. 4531



Mar 05 2015 - 4:50pm  
 P:\5514132-15-Local Streets and Alley Renewal\5514132-2015 Local Streets and Alley Renewal\5514132-Andrews Street - tabs\STA 1+00 - STA 2+50