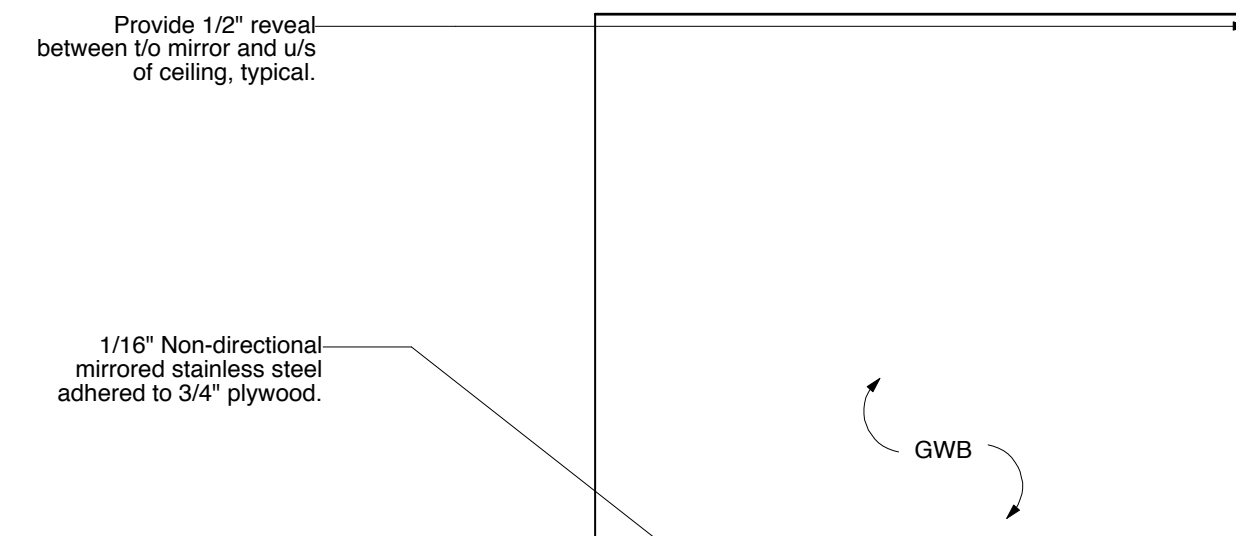
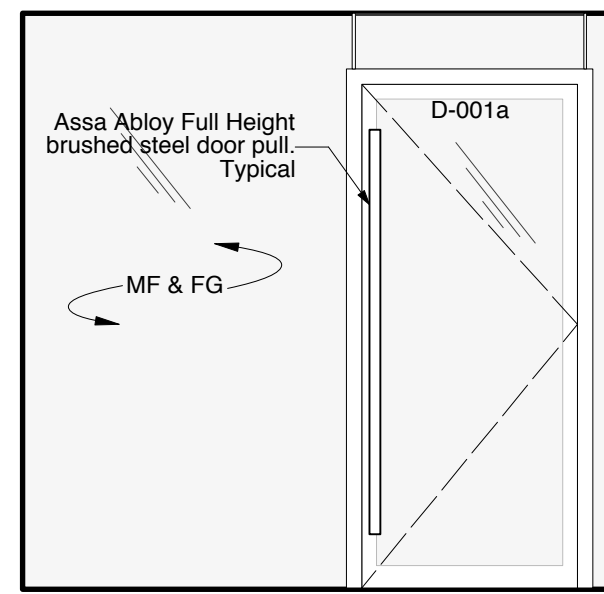
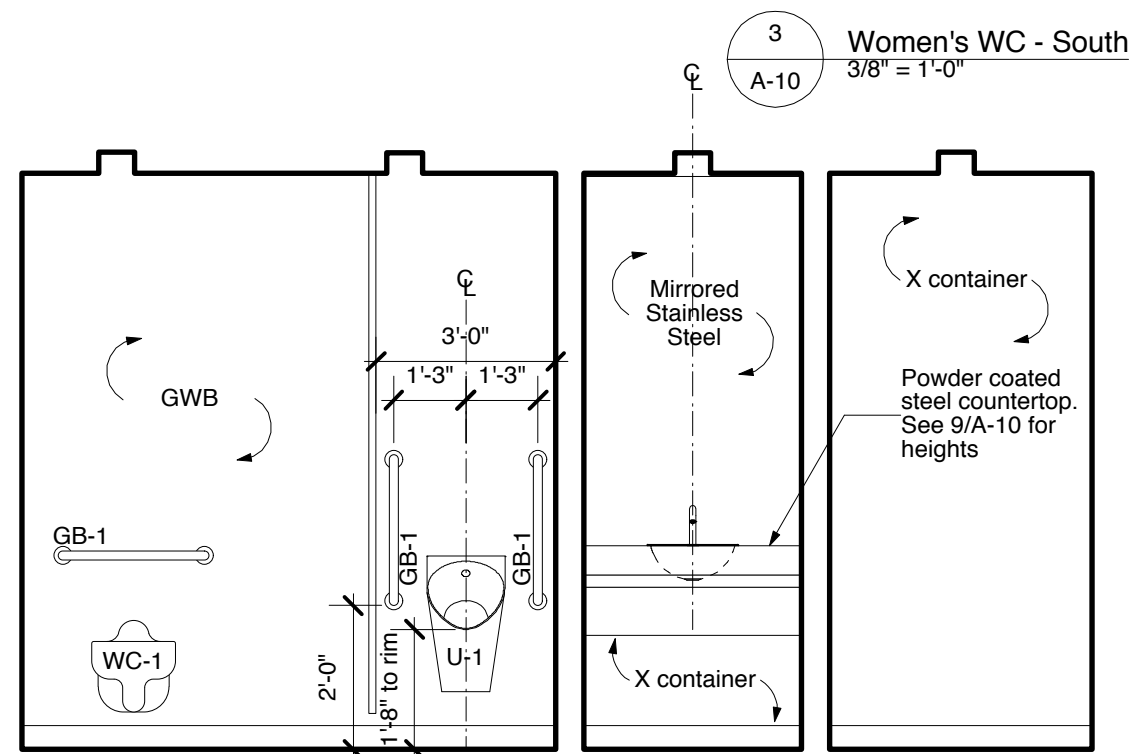
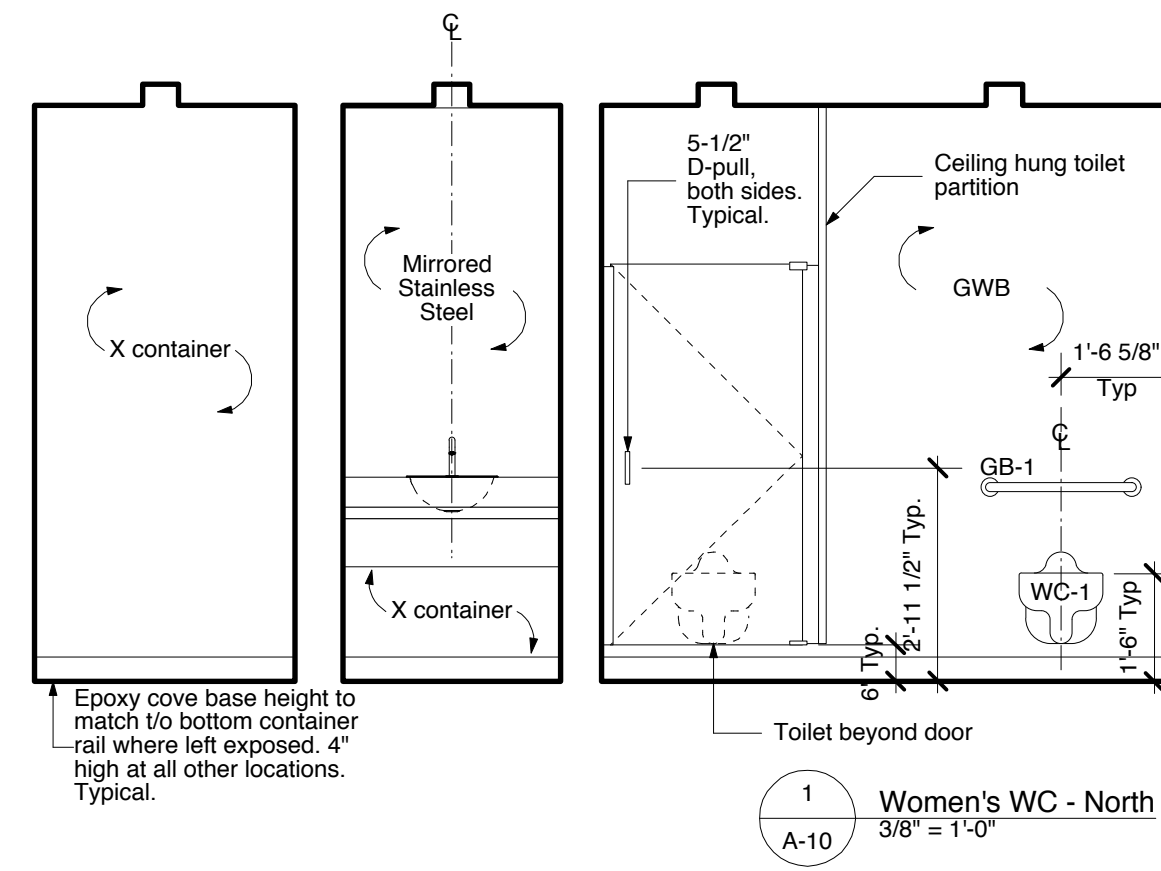
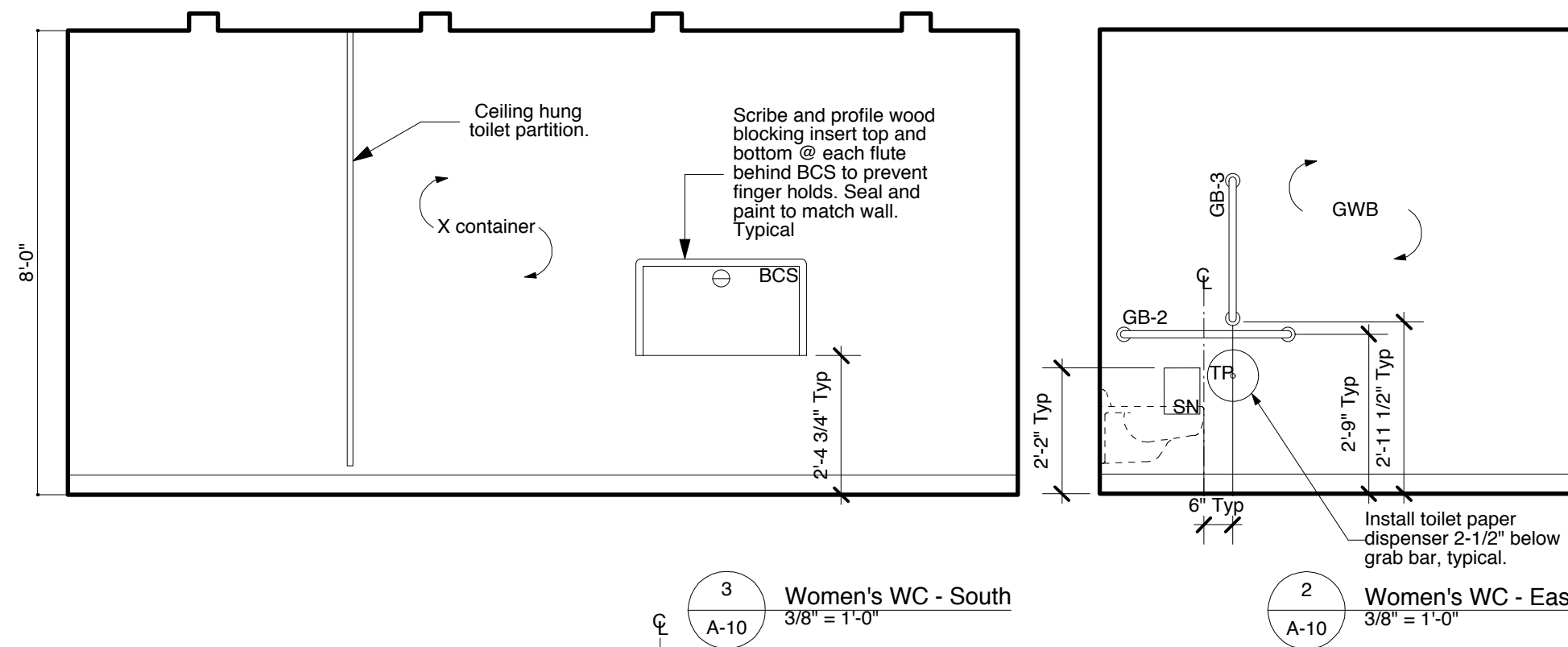


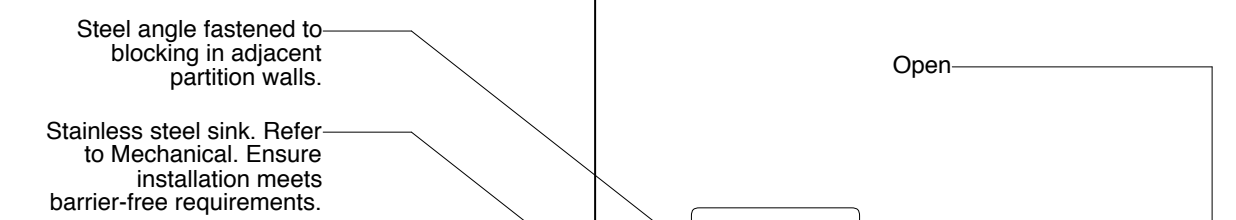
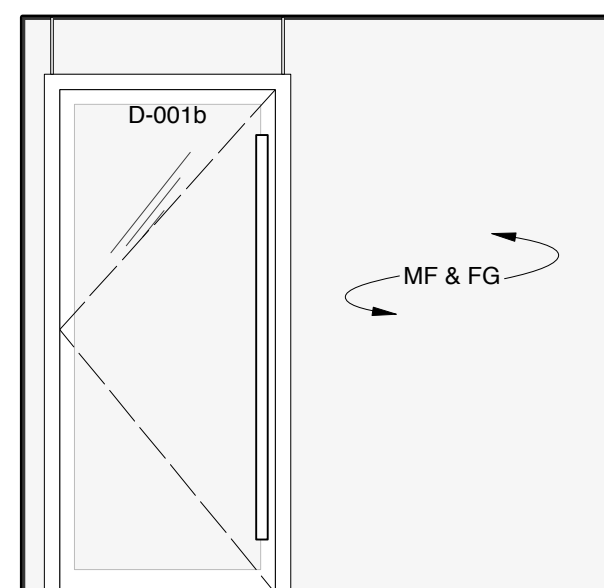
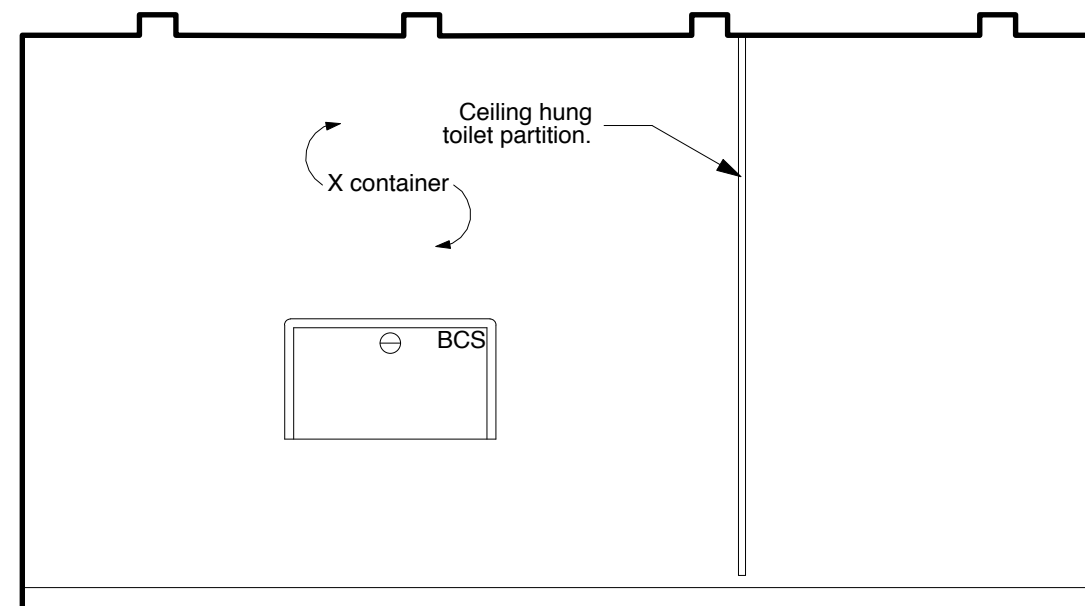
Owner  
 City of Winnipeg  
 190 River Road, Winnipeg, MB

No.	Date	Revision Notes
1.	15.03.10	Issued for Coord
2.	15.04.10	Issued for 66% Review
3.	15.05.08	Issued for Construction



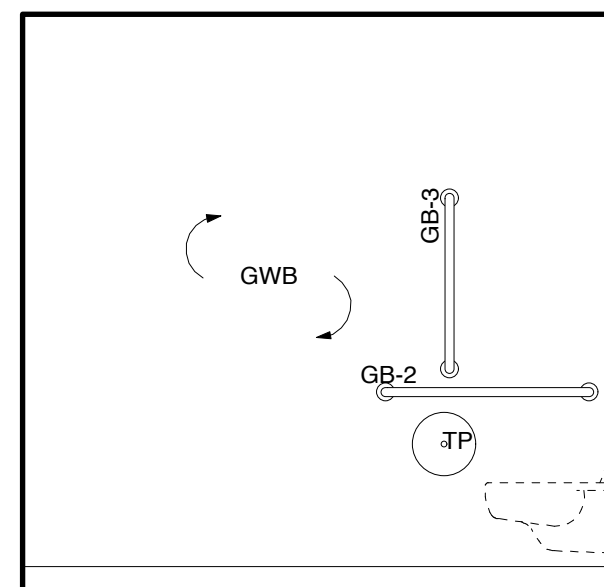
5 Men's WC - North  
 3/8" = 1'-0"

4 Women's WC - West  
 3/8" = 1'-0"

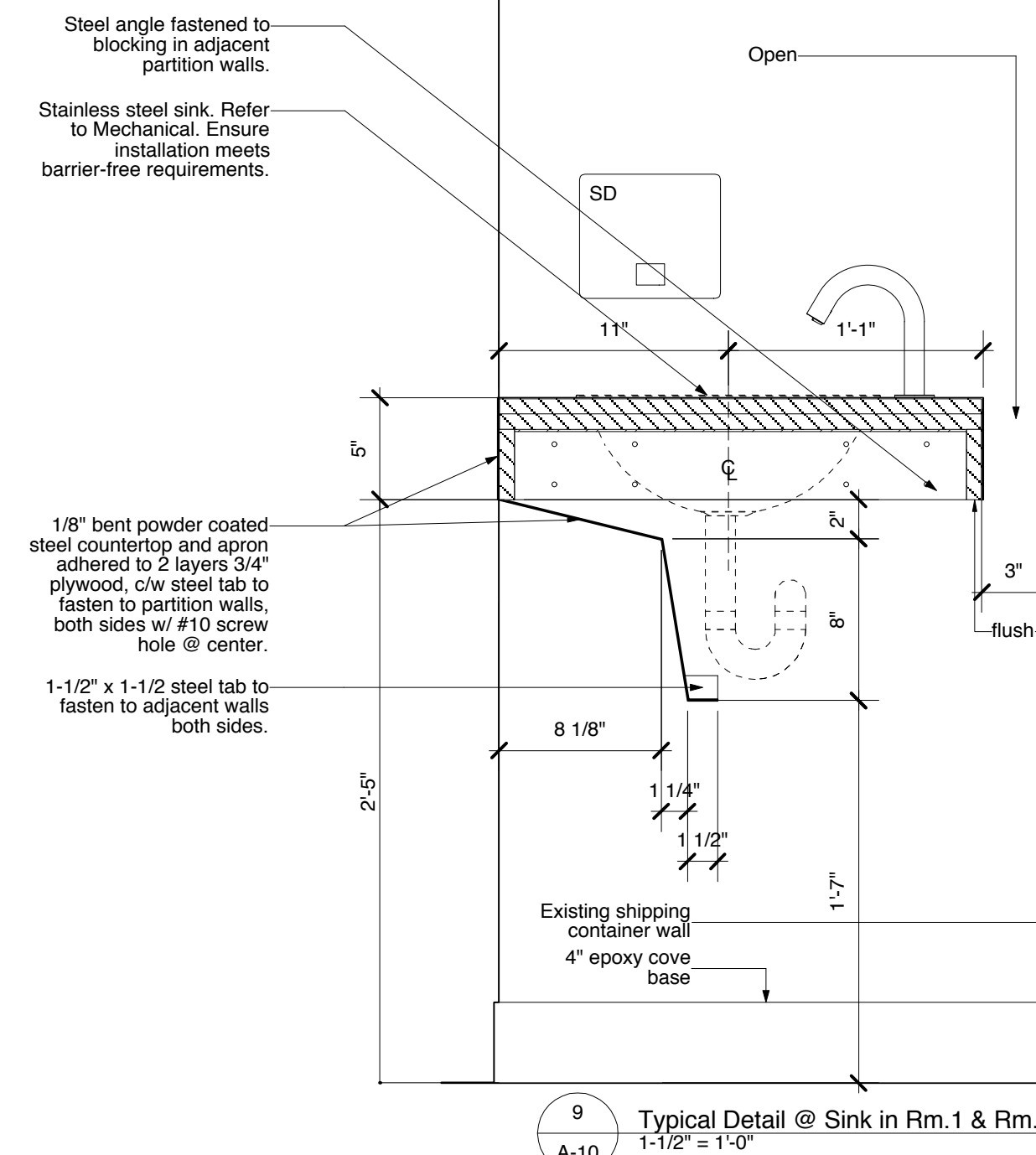


7 Men's WC - South  
 3/8" = 1'-0"

6 Men's WC - East  
 3/8" = 1'-0"



8 Men's WC - West  
 3/8" = 1'-0"



9 Typical Detail @ Sink in Rm. 1 & Rm. 2  
 1-1/2" = 1'-0"



This drawing must not be scaled. The contractors shall verify all dimensions and other data on site prior to commencement of work. Discrepancies, errors, and omissions are to be reported to the Architect prior to proceeding with the Work.

Drawings and specifications as instruments of service are the property of the Architect; the copyright in the same being reserved to him.

No reproduction or revision to these drawings may be made without the permission of the Architect, and when made, must bear his name. All prints to be returned to the Architect upon request.

Project  
**St. Vital Park Washrooms**

Drawing  
**Interior Elevations**

Drawn By  
 MJK  
 Scale

Reviewed By  
 PS  
 Drawing No.  
**A-10**

Date  
 May 2015

Project No.  
 1445

File No.  
 0