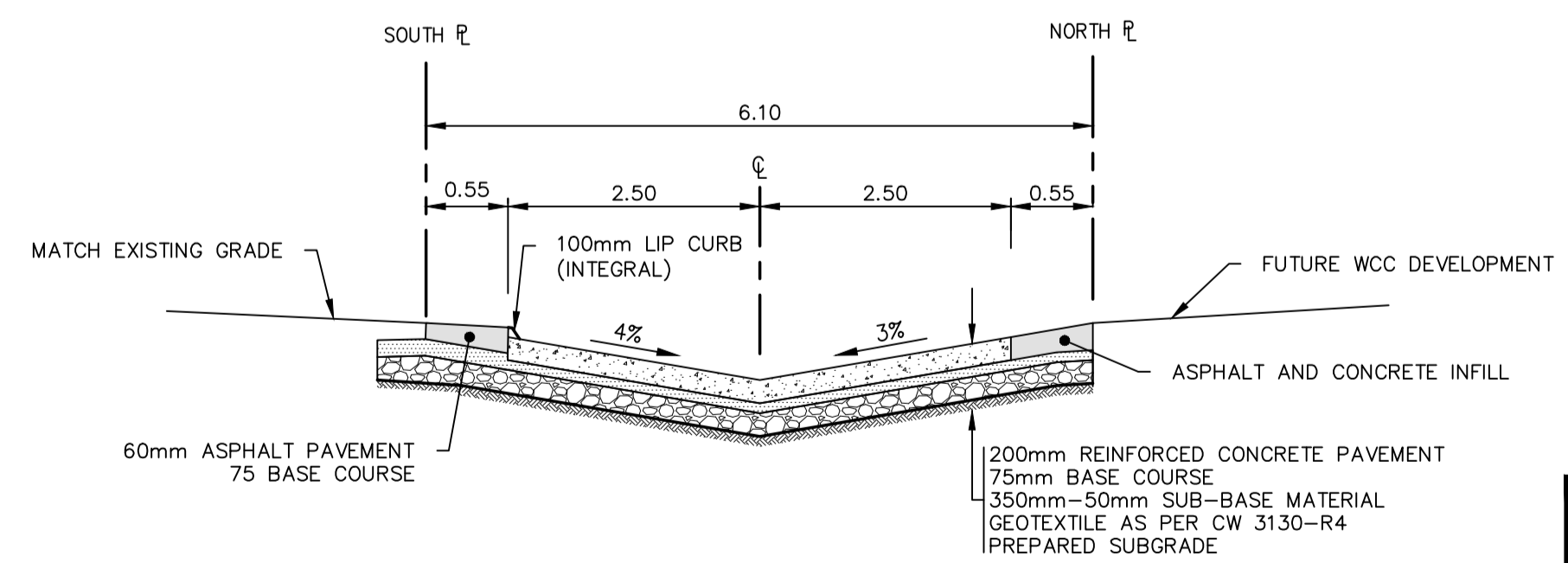
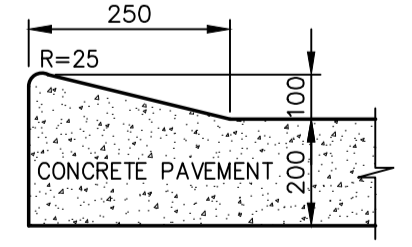


- NOTES:
1. ALL WORK AND MATERIALS TO BE IN ACCORDANCE WITH THE LATEST REVISION OF THE CITY OF WINNIPEG STANDARD CONSTRUCTION SPECIFICATIONS.
 2. ALL ROADWAY DIMENSIONS SHOWN ARE TO BACK OF CURB.
 3. ALL BOULEVARDS TO BE SODDED UNLESS OTHERWISE NOTED.
 4. ADD 200.00 TO ALL ELEVATIONS TO OBTAIN GEODETIC ELEVATION.

NOTE:
These design documents are prepared solely for the use by the party with whom the design professional has entered into a contract and there are no representations of any kind made by the design professional to any party with whom the design professional has not entered into a contract.



EXISTING	LEGEND-PLAN	PROPOSED	EXISTING	LEGEND-PLAN	PROPOSED	EXISTING	LEGEND-PROFILE	PROPOSED
---	WATERMAIN	---	---	---	---	---	---	---
---	LAND DRAINAGE SEWER	---	---	---	---	---	---	---
---	WASTE WATER SEWER	---	#111	---	---	---	---	---
---	HYDRO	---	---	---	---	---	---	---
---	M.T.S.	---	---	---	---	---	---	---
---	GAS	---	---	---	---	---	---	---
---	SIGNALS	---	---	---	---	---	---	---
○	MANHOLE	●	---	---	---	---	---	---
□	CATCH BASIN	■	---	---	---	---	---	---
△	CURB INLET	▽	---	---	---	---	---	---
∩	UTILITIES ADJUSTED	△ □ ○	---	---	---	---	---	---
∩	PLUG	∩	---	---	---	---	---	---
◇	HYDRANT	◆	---	---	---	---	---	---
⊙	VALVE	⊙	---	---	---	---	---	---
○	CURB STOP	●	---	---	---	---	---	---
---	GROUND GRADE	---	---	---	---	---	---	---
---	PAVEMENT GRADE	(31.00)	---	---	---	---	---	---
---	ANCHOR	---	---	---	---	---	---	---
---	CIVIC ADDRESS	---	---	---	---	---	---	---
---	IRON BAR	---	---	---	---	---	---	---
---	LIGHT STANDARD	---	---	---	---	---	---	---
---	HYDRO POLE	---	---	---	---	---	---	---
---	CURB RAMP	---	---	---	---	---	---	---
---	EDGE OF SIDEWALK	---	---	---	---	---	---	---
---	PROPERTY LINE	---	---	---	---	---	---	---
---	EDGE OF PAVEMENT	---	---	---	---	---	---	---
---	CONCRETE FILLET	---	---	---	---	---	---	---
---	LIP CURB	---	---	---	---	---	---	---
---	EDGE OF CONCRETE	---	---	---	---	---	---	---
---	BARRIER CURB	---	---	---	---	---	---	---
---	SIDEWALK	---	---	---	---	---	---	---
---	CONCRETE	---	---	---	---	---	---	---
---	ASPHALT	---	---	---	---	---	---	---
---	ROADWAY CENTRE LINE	---	---	---	---	---	---	---
---	NORTH EDGE OF CONCRETE	---	---	---	---	---	---	---
---	SOUTH EDGE OF CONCRETE	---	---	---	---	---	---	---

LOCATIONS APPROVED UNDERGROUND STRUCTURES

SIGNED BY: _____ DATE: _____

LOCATION OF UNDERGROUND STRUCTURES AS SHOWN ARE BASED ON THE BEST INFORMATION AVAILABLE BUT NO GUARANTEE IS GIVEN THAT ALL EXISTING UTILITIES ARE SHOWN OR THAT THE GIVEN LOCATIONS ARE EXACT CONFIRMATION OF EXISTENCE AND EXACT LOCATION OF ALL SERVICES MUST BE OBTAINED FROM THE INDIVIDUAL UTILITIES BEFORE PROCEEDINGS

G&M: TBM 10" IN OPEN HYDRANT N/E CORNER OF EDMONTON STREET & BROADWAY ELEV. 33.31

NO.	REVISIONS	DATE	BY
F	REVISED GRADING AND SERVICING	29.01.15	RMB
E	REVISED AS PER CITY OF WPG COMMENTS	14.01.15	RMB
D	REVISED AS PER CITY OF WPG COMMENTS	30.10.14	WJ
C	ISSUED TO UNDERGROUND STRUCTURES	01.10.14	WJ
B	AS PER CITY COMMENTS	12.09.14	WJ
A	ISSUED FOR REVIEW	15.07.14	WJ

MMM GROUP

DESIGNED BY: MS
DRAWN BY: RA/CM
HORIZ. SCALE: 1:200
VERTICAL SCALE: 1:20

CHECKED BY: WJ/RMB
APPROVED BY: _____
RELEASED FOR CONSTRUCTION: _____

DATE: 15.07.14

ENGINEER'S SEAL

PROVINCE OF MANITOBA

W. T. JACKSON
Member
20782
REGISTERED PROFESSIONAL ENGINEER

CONSULTANT ACAD. DWG. NO. 5512015-C-02

METRIC
WHOLE NUMBERS INDICATE MILLIMETRES
DECIMALIZED NUMBERS INDICATE METRES

APCGM
Certificate of Authorization
MMM Group Limited
No. 4531 Date: APRIL 30, 2015

THE CITY OF WINNIPEG
PUBLIC WORKS DEPARTMENT
ENGINEERING DIVISION

2015 ALLEY RENEWAL PROGRAM CONTRACT 1
YORK SOUTH EDMONTON STREET TO CARLTON STREET
ALLEY, EDMONTON TO CARLTON

CITY DRAWING NUMBER: C115
SHEET 15 OF 15

Apr 30, 2015 - 11:09am
 P:\5512015-5512015-02 Public Lane_Plan and Profile 2015-01-29.dwg - tab: C02